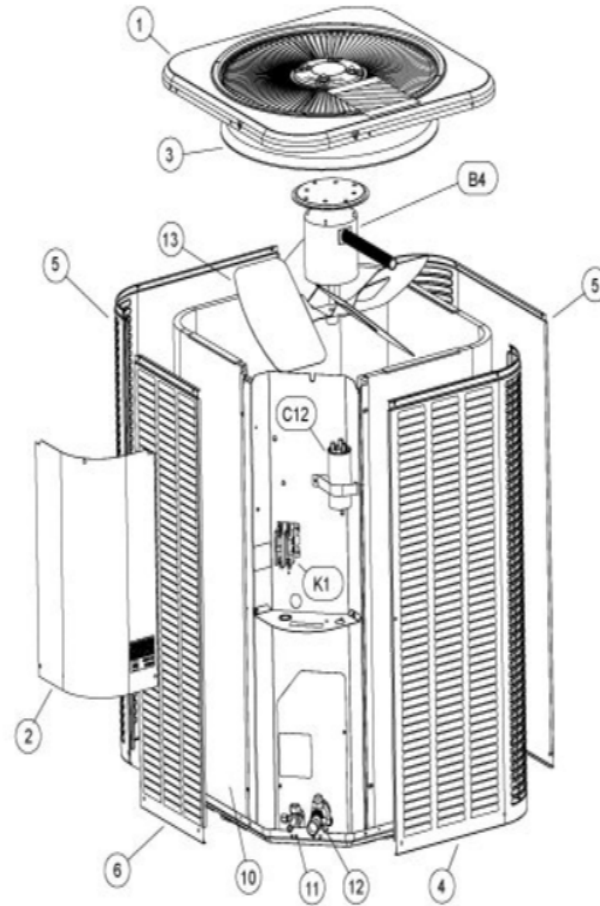


4AC14L Series



Revision Number - 2A

CABINET PARTS

Callout	Name	Quantity	Description
	PLATE-PATCH DUCANE GRAY Cat #: 83W75 Model/Part #: 102098-02	1	PLATE-PATCH DUCANE GRAY
1	PANEL-TOP Cat #: 61W04 Model/Part #: 102418-02	1	PANEL-TOP 32.25 X 32.25, DUCANE GRAY
2	COVER-CONTROL BOX Cat #: 61W01 Model/Part #: 102072-02	1	COVER, CONTROL PANEL (DUCANE GRAY)
3	ORIFICE Cat #: 32W55 Model/Part #: 100001-02	1	ORIFICE RING (26 I.D. X 6)
4	PANEL - LOUVER (RIGHT) Cat #: 61W34 Model/Part #: 603090-02	1	PANEL - LOUVER (RIGHT)
5	PANEL - LOUVER (CENTER) Cat #: 61W39 Model/Part #: 603091-02	2	PANEL - LOUVER (CENTER)
6	PANEL - LOUVER (LEFT) Cat #: 61W44 Model/Part #: 603092-02	1	PANEL - LOUVER (LEFT)

CONTROL PANEL PARTS

Callout	Name	Quantity	Description
C12	CAPACITOR-FAN&RUN Cat #: 21W83 Model/Part #: 101074-04	1	CAPACITOR 70 + 10 MFD @ 440V OVAL
K1	CONTACTOR Cat #: 95M57 Model/Part #: 100438-03	1	CONTACTOR 3PST 25A

COOLING PARTS

Callout	Name	Quantity	Description
	DRIER Cat #: 95M52 Model/Part #: 100214-03	1	DRIER: R410A - ONE WAY - 55G

Callout	Name	Quantity	Description
	KIT-RFC Cat #: 11W11 Model/Part #: 100484-40	1	RFC KIT ASSY (.093)
	HARNESS-COMPRESSOR Cat #: 15M35 Model/Part #: 15M3501	1	15M3501 HARNESS-MOLDED PLUG 1PH
	MOUNT PKG-COMP Cat #: 54M63 Model/Part #: LB-106528	1	MOUNT PKG-COMP
10	COIL-OUTDOOR Cat #: 24W94 Model/Part #: LB-87170DD	1	ASSY-REPAIR PART (COIL)
11	VALVE-SERVICE Cat #: 10W32 Model/Part #: 100432-01	1	VALVE SERVICE 3/8
12	VALVE-SERVICE Cat #: 31W74 Model/Part #: 100609-03	1	VALVE-BALL 1 1/8 X 7/8
13	FAN Cat #: 21W10 Model/Part #: 100060-11	1	FAN 26 INCH 4 BLADE 22 PITCH CCW
B1	COMPRESSOR Cat #: 99M90 Model/Part #: 100040-11	1	COMPRESSOR ZP51K5E-PFV
B4	MOTOR-FAN Cat #: 69W97 Model/Part #: 100483-30	1	MOTOR-FAN 1/3 HP 208/230 V 60HZ 825 RPM
HR1	HEATER-CRANKCASE Cat #: 93M06 Model/Part #: 100499-03	1	70 WATT, 240 VOLT
S4	SWITCH-HI PRESS-MANUAL Cat #: 42W41 Model/Part #: 100103-03	1	SWITCH-PRESSURE (HIGH-MANUAL)
S40	THERMOSTAT SPST OPEN@70°F CLOSE@50°F 40" Cat #: 95M54 Model/Part #: 100503-01	1	CRANKCASE HTR OPEN-70°F CLOSE-50°F

Note:

There are no technical notes for this product.