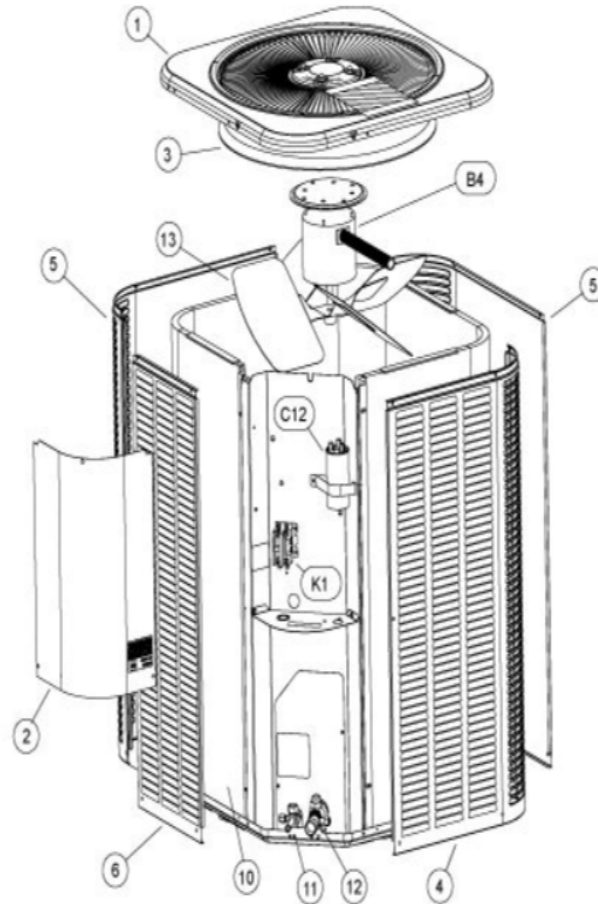


COOLING-CONDENSING
JANUARY, 2010

4AC14L Series



Revision Number - 15A

*OPTIONAL PARTS-FIELD INSTALLED

Callout	Name	Quantity	Description
	CAPACITOR-START Cat #: 63A06 Model/Part #: 63A0601	1	CAPACITOR 176-216 MFD @ 320V ROUND
	RELAY-POTENTIAL Cat #: 58327 Model/Part #: P-8-3577	1	RELAY - POTENTIAL
ST KIT	START KIT Cat #: 88M91 Model/Part #: LB-31200BAR	1	START KIT INC NEXT 2 PARTS

CABINET PARTS

Callout	Name	Quantity	Description
	PLATE-PATCH DUCANE GRAY Cat #: 83W75 Model/Part #: 102098-02	1	PLATE-PATCH DUCANE GRAY
	POST CORNER 36H Cat #: 15J90 Model/Part #: 614377-04	3	POST CORNER 36H
1	PANEL-TOP 28 X 28, DUCANE GRAY Cat #: 14X36 Model/Part #: 614379-02	1	PANEL-TOP 28 X 28, DUCANE GRAY
2	COVER-CONTROL BOX Cat #: 61W01 Model/Part #: 102072-02	1	COVER, CONTROL PANEL (DUCANE GRAY)
3	ORIFICE RING (22 I.D. X 6) MEDIUM Cat #: 15Z66 Model/Part #: 100001-06	1	ORIFICE RING (22 I.D. X 6) MEDIUM
4	PANEL LOUVER RIGHT - 28B X 36H Cat #: 15J62 Model/Part #: 614375-18	1	PANEL LOUVER RIGHT - 28B X 36H
5	PANEL LOUVER CENTER 28 X 36 Cat #: 15J75 Model/Part #: 614375-27	2	PANEL LOUVER CENTER 28 X 36
6	PANEL LOUVER LEFT 28 X 36 Cat #: 15J47 Model/Part #: 614375-10	1	PANEL LOUVER LEFT 28 X 36

CONTROL PANEL PARTS

Callout	Name	Quantity	Description
C12	CAPACITOR-FAN&RUN Cat #: 29W09 Model/Part #: 100335-39	1	CAPACITOR 70 + 10 MFD @ 440V ROUND
K1	CONTACTOR SPST 40A Cat #: 10F74 Model/Part #: 100438-05	1	CONTACTOR SPST 40A

COOLING PARTS

Callout	Name	Quantity	Description
	DRIER Cat #: 95M52 Model/Part #: 100214-03	1	DRIER R410A - ONE WAY - 55G
	KIT Cat #: 11W07 Model/Part #: 100484-31	1	RFC KIT ASSY (.083)
	WRAPPER-COMPRESSOR COMPRESSOR BLANKET Cat #: 18J42 Model/Part #: 100673-11	1	COVER - COMPRESSOR
	HARNESS-COMPRESSOR MOLDED PLUG Cat #: 13U62 Model/Part #: 104162-02	1	HARNESS- COMPRESSOR MOLDED PLUG
	MOUNT PKG-COMP Cat #: 54M63 Model/Part #: LB-106528	1	MOUNT PKG-COMP
10	REPAIR COIL PACKAGE ASSY Cat #: 13T43 Model/Part #: 614262-05	1	REPAIR COIL PACKAGE ASSY
11	VALVE SERVICE 3/8 Cat #: 10M23 Model/Part #: 103881-01	1	VALVE SERVICE 3/8 LIQUID LINE
12	VALVE-BALL 7/8 X 7/8 Cat #: 16U85 Model/Part #: 102831-10	1	VALVE-BALL 7/8 X 7/8 SUCTION LINE
13	FAN Cat #: 30W24 Model/Part #: 100060-21	1	FAN 22 INCH - 4 BLADE 32 PITCH CCW
B1	COMPRESSOR ABG039KAC Cat #: 13H95 Model/Part #: 104161-07	1	COMPRESSOR ABG039KAC
B4	MOTOR-FAN 1/4 HP 208/230V 60HZ 825 RPM Cat #: 12Y65 Model/Part #: 100483-43	1	MOTOR-FAN 1/4 HP 208/230V 60HZ 825 RPM

Callout	Name	Quantity	Description
HR1	HEATER-CRANKCASE 40W 240V Ø6.29-8.53 Cat #: 15X40 Model/Part #: 100499-22	1	HEATER- CRANKCASE 40W 240V Ø6.29-8.53
S4	SWITCH-HI PRESS AUTO RESET Cat #: 11Y35 Model/Part #: 103736-06	1	SWITCH-HI PRESS AUTO RESET
S40	THERMOSTAT SPST OPEN@70°F CLOSE@50°F 40" Cat #: 95M54 Model/Part #: 100503-01	1	THERMOSTAT SPST OPEN@70°F CLOSE@50°F 40"

Note:

There are no technical notes for this product.