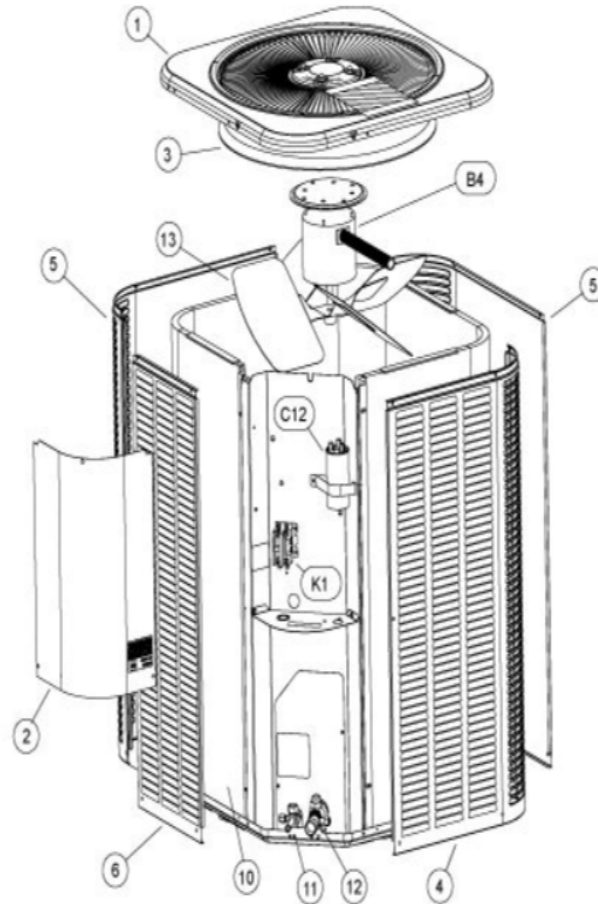


4AC14L Series



Revision Number - 4A

*OPTIONAL PARTS-FIELD INSTALLED

Callout	Name	Quantity	Description
	CAPACITOR-START Cat #: 63A06 Model/Part #: 63A0601	1	176-216 MFD @ 320V ROUND
	RELAY-POTENTIAL Cat #: 58327 Model/Part #: P-8-3577	1	SPNC
ST KIT	START KIT Cat #: 88M91 Model/Part #: LB-31200BAR	1	INCL NEXT 2 PARTS

CABINET PARTS

Callout	Name	Quantity	Description
	PLATE-PATCH DUCANE GRAY Cat #: 83W75 Model/Part #: 102098-02	1	PLATE-PATCH DUCANE GRAY
	COVER Cat #: 69J03 Model/Part #: 69J0301	1	COVER SOUND
1	PANEL-TOP 28 X 28, DUCANE GRAY Cat #: 92W53 Model/Part #: 102875-02	1	PANEL-TOP 28 X 28, DUCANE GRAY
2	PANEL-CONTROL Cat #: 61W02 Model/Part #: 102073-02	1	COVER, CONTROL PANEL (DUCANE GRAY)
3	ORIFICE Cat #: 98M16 Model/Part #: 100001-01	1	ORIFICE RING (22 I.D. X 6)
4	PANEL - LOUVER (RIGHT) Cat #: 61W34 Model/Part #: 603090-02	1	PANEL - LOUVER (RIGHT)
5	PANEL - LOUVER (CENTER) Cat #: 61W39 Model/Part #: 603091-02	2	PANEL - LOUVER (CENTER)
6	PANEL - LOUVER (LEFT) Cat #: 61W44 Model/Part #: 603092-02	1	PANEL - LOUVER (LEFT)

CONTROL PANEL PARTS

Callout	Name	Quantity	Description
C12	CAPACITOR-FAN&RUN Cat #: 89M83 Model/Part #: 100335-15	1	45 + 10 MFD @ 440V ROUND
K1	CONTACTOR Cat #: 95M56 Model/Part #: 100438-02	1	"SPST, 24V"

COOLING PARTS

Callout	Name	Quantity	Description
	DRIER Cat #: 95M52 Model/Part #: 100214-03	1	DRIER: R410A - ONE WAY - 55G
	KIT Cat #: 97M78 Model/Part #: 100484-24	1	KIT RFC ASSY (.076)
	HARNESS-COMP (REPAIR) Cat #: 44W62 Model/Part #: 102111-01	1	HARNESS -COMP (REPAIR)
	COVER Cat #: 75W44 Model/Part #: 103048-02	1	COVER THERMAL SWITCH (Repair)
	MOUNT PKG-COMP Cat #: 54M63 Model/Part #: LB-106528	1	MOUNT PKG-COMP
10	COIL-OUTDOOR Cat #: 24W92 Model/Part #: LB-87170DB	1	ASSY-REPAIR PART (COIL)
11	VALVE-SERVICE Cat #: 10W32 Model/Part #: 100432-01	1	VALVE SERVICE 3/8
12	VALVE-BALL SERVICE 7/8 X 7/8 Cat #: 77W34 Model/Part #: 102831-05	1	VALVE-BALL 7/8 X 7/8
13	FAN Cat #: 30W24 Model/Part #: 100060-21	1	FAN 22 INCH - 4 BLADE 32 PITCH CCW
B1	COMPRESSOR AQA034KAA Cat #: 90W63 Model/Part #: 101995-22	1	AQA034KAA W/HARNESS (Interlink)
B4	MOTOR-FAN Cat #: 92W75 Model/Part #: 100483-34	1	1/4 HP 208/230V 60HZ 825 RPM
HR1	HEATER-CRANKCASE Cat #: 93M04 Model/Part #: 100499-01	1	240V, 40 WATT

Callout	Name	Quantity	Description
S173	SWITCH-THERMAL Cat #: 75W43 Model/Part #: 103048-01	1	SWITCH THERMAL (Repair)
S4	SWITCH-HI PRESS-AUTO Cat #: 93W01 Model/Part #: 100087-12	1	SWITCH-HI PRESS NO 590
S40	THERMOSTAT Cat #: 56M62 Model/Part #: 56M6201	1	CC HEATER, OPEN 70F, CLOSE 50F

Note:

There are no technical notes for this product.