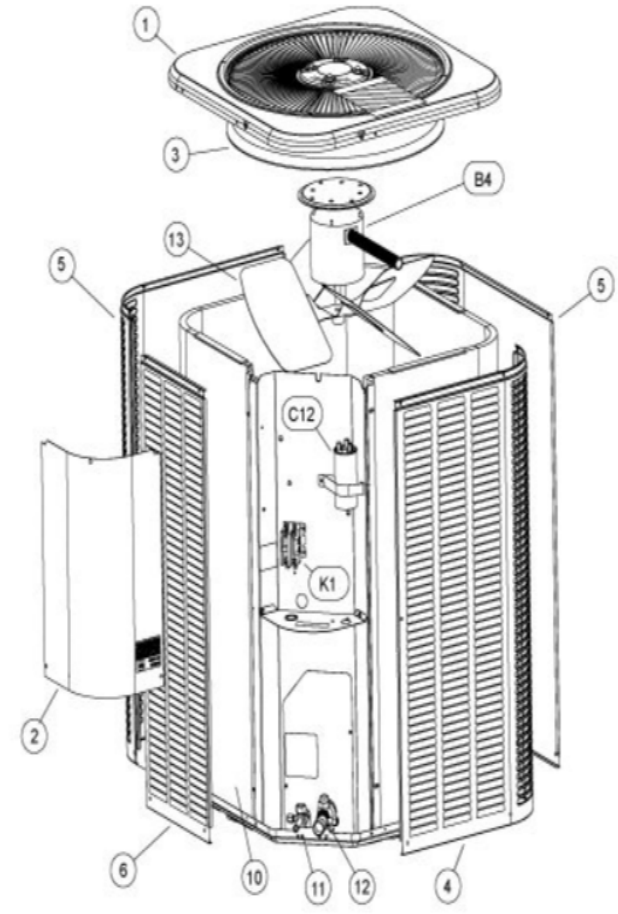


4AC14L Series



Revision Number - 10A

## \*OPTIONAL PARTS-FIELD INSTALLED

Callout	Name	Quantity	Description
	CAPACITOR-START Cat #: 47A60 Model/Part #: 47A6001	1	CAPACITOR 88 + 108 MFD @ 330V ROUND
	RELAY-POTENTIAL Cat #: 58327 Model/Part #: P-8-3577	1	SPNC
ST KIT	START-KIT Cat #: 10J42 Model/Part #: LB-31200BM	1	START KIT

## CABINET PARTS

Callout	Name	Quantity	Description
	PLATE-PATCH DUCANE GRAY Cat #: 83W75 Model/Part #: 102098-02	1	PLATE-PATCH DUCANE GRAY
	POST CORNER 36H Cat #: 15J90 Model/Part #: 614377-04	3	POST CORNER 36H
1	PANEL-TOP 28 X 28, DUCANE GRAY Cat #: 14X36 Model/Part #: 614379-02	1	PANEL-TOP 28 X 28, DUCANE GRAY
2	COVER-CONTROL BOX Cat #: 61W01 Model/Part #: 102072-02	1	COVER, CONTROL PANEL (DUCANE GRAY)
3	ORIFICE Cat #: 98M16 Model/Part #: 100001-01	1	ORIFICE RING (22 I.D. X 6)
4	PANEL LOUVER RIGHT - 28B X 36H Cat #: 15J62 Model/Part #: 614375-18	1	PANEL LOUVER RIGHT - 28B X 36H
5	PANEL LOUVER CENTER 28 X 36 Cat #: 15J75 Model/Part #: 614375-27	2	PANEL LOUVER CENTER 28 X 36
6	PANEL LOUVER LEFT 28 X 36 Cat #: 15J47 Model/Part #: 614375-10	1	PANEL LOUVER LEFT 28 X 36

## CONTROL PANEL PARTS

Callout	Name	Quantity	Description
C12	CAPACITOR-FAN MTR Cat #: 89M77 Model/Part #: 100335-09	1	CAPACITOR 40 + 5 MFD @ 440V ROUND
K1	CONTACTOR Cat #: 95M55 Model/Part #: 100438-01	1	"SPST, 24V"

## COOLING PARTS

Callout	Name	Quantity	Description
	DRIER Cat #: 95M52 Model/Part #: 100214-03	1	DRIER: R410A - ONE WAY - 55G
	KIT-RFC Cat #: 10W99 Model/Part #: 100484-15	1	KIT RFC ASSY (.065)
	HARNES-COMPRESSOR MOLDED PLUG Cat #: 14R26 Model/Part #: 104162-01	1	HARNES- COMPRESSOR MOLDED PLUG
	MOUNT PKG-COMP Cat #: 54M63 Model/Part #: LB-106528	1	MOUNT PKG-COMP
10	ASSY-REPAIR PART (COIL) Cat #: 49E02 Model/Part #: LB-87170EG	1	ASSY-REPAIR PART (COIL)
11	VALVE SERVICE 3/8 Cat #: 10M23 Model/Part #: 103881-01	1	VALVE SERVICE 3/8
12	VALVE SERVICE 3/4 Cat #: 10M24 Model/Part #: 103881-02	1	VALVE SERVICE 3/4
13	FAN Cat #: 43W37 Model/Part #: 100060-23	1	FAN 22 INCH 3 BLADE 26 PITCH CCW
B1	COMPRESSOR APG024KBC Cat #: 13X02 Model/Part #: 104161-03	1	COMPRESSOR APG024KBC
B4	MOTOR-FAN 1/6 HP, 208/230V, 60HZ Cat #: 11X75 Model/Part #: 100483-42	1	MOTOR-FAN 1/6 HP, 208/230V, 60HZ
HR1	HEATER-CRANKCASE Cat #: 93M04 Model/Part #: 100499-01	1	240V, 40 WATT
S4	SWITCH-HI PRESS-AUTO	1	SWITCH-HI PRESS

Callout	Name	Quantity	Description
	Cat #: 93W01 Model/Part #: 100087-12		NO 590

**Note:**

There are no technical notes for this product.