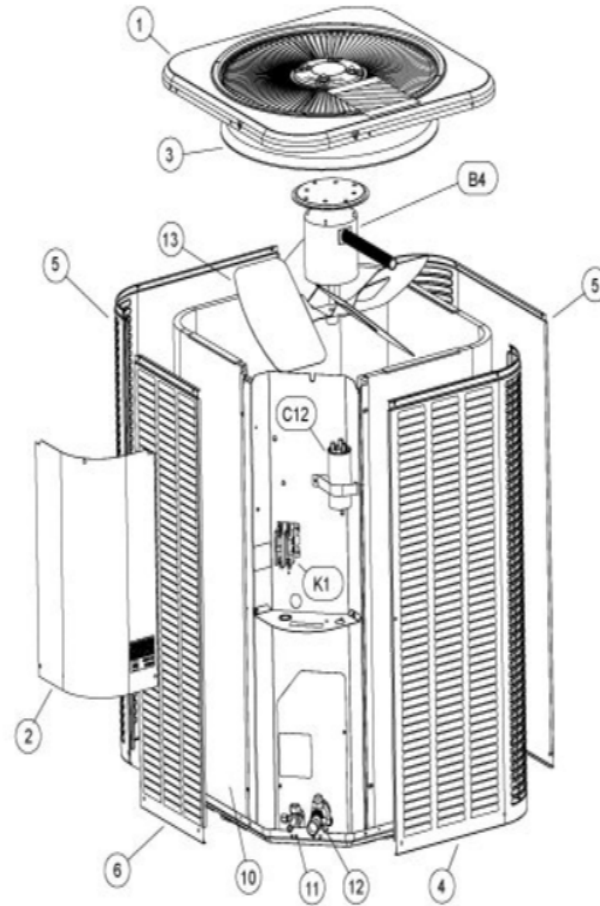


### 4AC14L Series



Revision Number - 7A

## CABINET PARTS

Callout	Name	Quantity	Description
	NUT-CAP Cat #: 85M56 Model/Part #: 100094-01	1	NUT 8-32 HEX CAP W/SERRATION
1	PANEL-TOP 24 X 24, DUCANE GRAY Cat #: 14X35 Model/Part #: 614378-02	1	PANEL-TOP 24 X 24, DUCANE GRAY
2	PANEL-CONTROL Cat #: 61W02 Model/Part #: 102073-02	1	COVER, CONTROL PANEL (DUCANE GRAY)
3	ORIFICE Cat #: 95M53 Model/Part #: 100001-03	1	ORIFICE RING - 18X4 DEEP
4	PANEL LOUVER RIGHT - 24B X 28H Cat #: 15J42 Model/Part #: 614375-05	1	PANEL LOUVER RIGHT - 24B X 28H
5	PANEL LOUVER CENTER - 24B X 28H Cat #: 15J54 Model/Part #: 614375-13	2	PANEL LOUVER CENTER - 24B X 28H
6	PANEL LOUVER LEFT 24 X 28 Cat #: 15J39 Model/Part #: 614375-02	1	PANEL LOUVER LEFT 24 X 28

## CONTROL PANEL PARTS

Callout	Name	Quantity	Description
C12	CAPACITOR-FANandRUN 30 / 5 MFD @ 440V R Cat #: 89M71 Model/Part #: 100335-03	1	CAPACITOR- FAN&RUN 30 / 5 MFD @ 440V ROU
K1	CONTACTOR Cat #: 95M55 Model/Part #: 100438-01	1	"SPST, 24V"

## COOLING PARTS

Callout	Name	Quantity	Description
	DRIER Cat #: 95M52 Model/Part #: 100214-03	1	DRIER: R410A - ONE WAY - 55G

<b>Callout</b>	<b>Name</b>	<b>Quantity</b>	<b>Description</b>
	KIT Cat #: 97M74 Model/Part #: 100484-06	1	KIT RFC ASSY (.053)
	HARNESS-COMPRESSOR Cat #: 15M35 Model/Part #: 15M3501	1	COMPRESSOR- MOLDED PLUG
	MOUNT PKG-COMP Cat #: 54M63 Model/Part #: LB-106528	1	MOUNT PKG-COMP
10	ASSY-REPAIR PART (COIL) Cat #: 11J55 Model/Part #: LB-87170EH	1	ASSY-REPAIR PART (COIL)
11	VALVE SERVICE 3/8 Cat #: 10M23 Model/Part #: 103881-01	1	VALVE SERVICE 3/8
12	VALVE SERVICE 3/4 Cat #: 10M24 Model/Part #: 103881-02	1	VALVE SERVICE 3/4
13	FAN Cat #: 98M18 Model/Part #: 100060-07	1	FAN 18 INCH - 3 BLADE 27 PITCH CCW
B1	COMPRESSOR ZP16KAE-PFV-130 Cat #: 11K56 Model/Part #: 104052-01	1	COMPRESSOR ZP16KAE-PFV-130
B4	MOTOR-FAN 1/10 HP 208/230V 60HZ 1075RPM Cat #: 13Y95 Model/Part #: 100483-45	1	MOTOR-FAN 1/10 HP 208/230V 60HZ 1075RPM
S4	SWITCH-HI PRESS-AUTO Cat #: 93W01 Model/Part #: 100087-12	1	SWITCH-HI PRESS NO 590

**Note:**

There are no technical notes for this product.