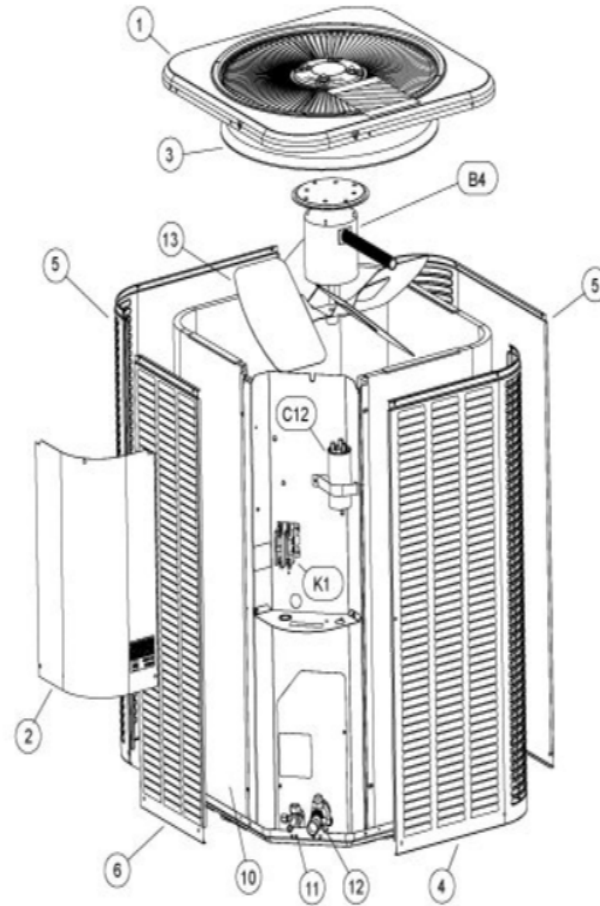


4AC13L Series



Revision Number - 7A

CABINET PARTS

Callout	Name	Quantity	Description
	PLATE-PATCH DUCANE GRAY Cat #: 83W75 Model/Part #: 102098-02	1	PLATE-PATCH DUCANE GRAY
1	PANEL-TOP Cat #: 61W03 Model/Part #: 102420-02	1	PANEL-TOP 24 X 24, DUCANE GRAY
3	ORIFICE Cat #: 95M53 Model/Part #: 100001-03	1	ORIFICE RING - 18X4 DEEP
4	PANEL - LOUVER (RIGHT) Cat #: 61W61 Model/Part #: 603087-02	1	PANEL - LOUVER (RIGHT)
5	PANEL-CONTROL Cat #: 61W02 Model/Part #: 102073-02	1	COVER, CONTROL PANEL (DUCANE GRAY)
5	PANEL - LOUVER (CENTER) Cat #: 61W64 Model/Part #: 603088-02	2	PANEL - LOUVER (CENTER)
6	PANEL - LOUVER (LEFT) Cat #: 61W67 Model/Part #: 603089-02	1	PANEL - LOUVER (LEFT)

CONTROL PANEL PARTS

Callout	Name	Quantity	Description
	CONTACTOR Cat #: 95M55 Model/Part #: 100438-01	1	"SPST, 24V"
C12	CAPACITOR-FAN MTR Cat #: 89M77 Model/Part #: 100335-09	1	CAPACITOR 40 + 5 MFD @ 440V ROUND

COOLING PARTS

Callout	Name	Quantity	Description
	DRIER Cat #: 95M52 Model/Part #: 100214-03	1	DRIER: R410A - ONE WAY - 55G

Callout	Name	Quantity	Description
	VALVE-SERVICE Cat #: 10W32 Model/Part #: 100432-01	1	VALVE SERVICE 3/8
	KIT-RFC Cat #: 10W99 Model/Part #: 100484-15	1	KIT RFC ASSY (.065)
	SWITCH-THERMAL Cat #: 75W43 Model/Part #: 103048-01	1	THERMISTOR SWITCH ASSEMBLY
	COVER Cat #: 75W44 Model/Part #: 103048-02	1	THERMISTOR COVER SWITCH ASSEMBLY
	MOUNT PKG-COMP Cat #: 54M63 Model/Part #: LB-106528	1	MOUNT PKG-COMP
1	HARNESS-COMP (REPAIR) Cat #: 44W62 Model/Part #: 102111-01	1	HARNESS -WIRE
10	COIL-OUTDOOR Cat #: 33W96 Model/Part #: LB-87170DK	1	ASSY-REPAIR PART (COIL)
12	VALVE-SERVICE Cat #: 10W33 Model/Part #: 100432-02	1	VALVE SERVICE 3/4
13	FAN Cat #: 98M19 Model/Part #: 100060-08	1	FAN 18 INCH 4 BLADE 27 PITCH CCW
B1	COMPRESSOR APA026KAA Cat #: 81W05 Model/Part #: 101995-12	1	COMPRESSOR APA026KAA
B4	MOTOR-FAN Cat #: 43W49 Model/Part #: 100483-21	1	MOTOR-FAN 1/5 HP 208/230V 50/60HZ 1PH 10
S4	SWITCH-HI PRESS-AUTO Cat #: 93W01 Model/Part #: 100087-12	1	SWITCH-HI PRESS NO 590

Note:

There are no technical notes for this product.