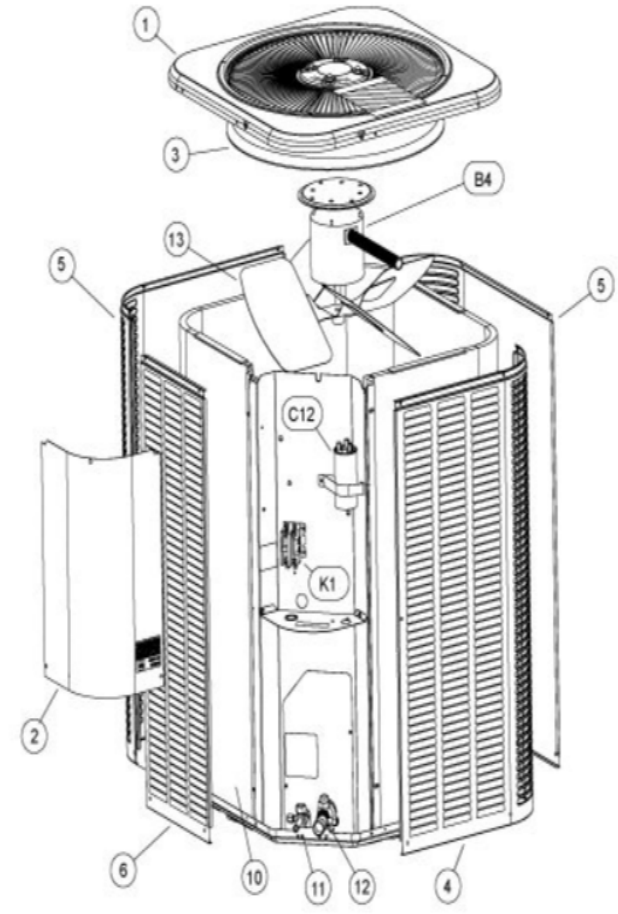


4AC13L Series



Revision Number - 4A

CABINET PARTS

| Callout | Name | Quantity | Description |
|---------|---|----------|--|
| | PLATE-PATCH DUCANE GRAY Cat #: 83W74 Model/Part #: 102097-02 | 1 | PLATE-PATCH DUCANE GRAY |
| 1 | PANEL-TOP Cat #: 61W03 Model/Part #: 102420-02 | 1 | PANEL-TOP 24 X 24, DUCANE GRAY |
| 2 | PANEL-CONTROL Cat #: 61W02 Model/Part #: 102073-02 | 1 | COVER, CONTROL PANEL (DUCANE GRAY) |
| 3 | ORIFICE Cat #: 95M53 Model/Part #: 100001-03 | 1 | ORIFICE RING - 18X4 DEEP |
| 4 | PANEL - LOUVER (RIGHT) Cat #: 61W60 Model/Part #: 603087-01 | 1 | PANEL - LOUVER (RIGHT) |
| 5 | PANEL - LOUVER (CENTER) Cat #: 61W63 Model/Part #: 603088-01 | 2 | PANEL - LOUVER (CENTER) |
| 6 | PANEL - LOUVER (LEFT) Cat #: 61W66 Model/Part #: 603089-01 | 1 | PANEL - LOUVER (LEFT) |

CONTROL PANEL PARTS

| Callout | Name | Quantity | Description |
|---------|---|----------|---|
| C12 | CAPACITOR-FAN&RUN Cat #: 89M74 Model/Part #: 100335-06 | 1 | CAPACITOR- FAN&RUN 35 / 5 MFD @ 440V ROUN |
| K1 | CONTACTOR Cat #: 95M55 Model/Part #: 100438-01 | 1 | "SPST, 24V" |

COOLING PARTS

| Callout | Name | Quantity | Description |
|---------|---|----------|---------------------------------|
| | DRIER Cat #: 95M52 Model/Part #: 100214-03 | 1 | DRIER: R410A - ONE WAY - 55G |

| Callout | Name | Quantity | Description |
|----------------|--|-----------------|--|
| | KIT Cat #: 10W93 Model/Part #: 100484-04 | 1 | KIT RFC ASSY (.051) |
| | HARNESS-COMP (REPAIR) Cat #: 44W62 Model/Part #: 102111-01 | 1 | HARNESS -WIRE |
| | COVER Cat #: 75W44 Model/Part #: 103048-02 | 1 | THERMISTOR COVER SWITCH ASSEMBLY |
| | MOUNT PKG-COMP Cat #: 54M63 Model/Part #: LB-106528 | 1 | MOUNT PKG-COMP |
| 10 | COIL-OUTDOOR Cat #: 36W51 Model/Part #: LB-87170DL | 1 | ASSY-REPAIR PART (COIL) |
| 11 | VALVE-SERVICE Cat #: 10W32 Model/Part #: 100432-01 | 1 | VALVE SERVICE 3/8 |
| 12 | VALVE-SERVICE Cat #: 10W33 Model/Part #: 100432-02 | 1 | VALVE SERVICE 3/4 |
| 13 | FAN Cat #: 98M18 Model/Part #: 100060-07 | 1 | FAN 18 INCH - 3 BLADE 27 PITCH CCW |
| B1 | COMPRESSOR APA016KAA Cat #: 53W14 Model/Part #: 101995-08 | 1 | COMPRESSOR APA016KAA |
| B4 | MOTOR-FAN Cat #: 47W86 Model/Part #: 100483-23 | 1 | MOTOR-FAN 1/10 HP 208-230 VOLT |
| S173 | SWITCH-THERMAL Cat #: 75W43 Model/Part #: 103048-01 | 1 | THERMISTOR SWITCH ASSEMBLY |
| S4 | SWITCH-HI PRESS-MANUAL Cat #: 42W41 Model/Part #: 100103-03 | 1 | SWITCH-PRESSURE (HIGH-MANUAL) |

Note:

There are no technical notes for this product.