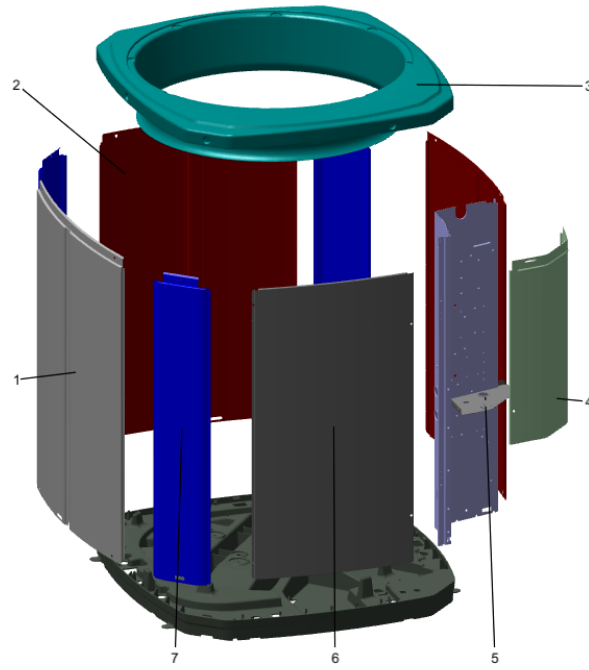


<b>Part No.</b>	<b>Reference No.</b>	<b>Quantity</b>	<b>Description</b>
0000158633~S	*		CABINET
0000158634~S	*		CONTROLS
0000158635~S	*		FAN
0000158636~S	*		GENERAL ASSEMBLY
0000158609~S	*		MODEL NUMBER DESCRIPTION
0000158638~S	*		OPTIONAL ACCESORIES
0000158637~S	*		REFRIGERATION

Part No.	Reference No.	Quantity	Description
0000031548~P	*		CABINET



Part No.	Reference No.	Quantity	Description
PAI00074	*	0	PAINT; SPRAY, SLATE GREY, FULL GLOSS(88) (SHIPPING UOM 12 OZ HAZ)
PAI00207	*	0	PAINT; SPINNAKER GRAY (SHIPPING UOM 12 OZ HAZ) SPRAY CAN
SCR02010	*	19	SCREW; 12-18 AB HXW 1/2 SN
SCR02054	*	19	SCREW; 12-18 AB HXW 1/2 SN
BAS01834		1	BASE; 41.78 X 41.81 DIAGONALLY
PNL25663	1	1	PANEL; WRAPPER, 41.33 X 27.00
PNL25664	2	2	PANEL; WRAPPER, 41.33 X 22.98
COV04035	3	1	COVER; TOP, 37.00 X 34.00
COV04037	4	1	COVER; CONTROLS, 11 x 18 INCHES
COV03228	5	1	COVER, CONTROL BOTTOM
PNL25665	6	1	PANEL; ACCESS, 40.65 X 19.79
PNL26270	7	3	PANEL; CORNER POST, 3.5 x 41.3 INCHES

CONTROLS

Parts List Number :0000158632  
Model Number :4A7A6060K1000A

Part No.	Reference No.	Quantity	Description
0000031572~P	*		CONTROLS

CONTROLS

75010701

REV  
A

TYPICAL ILLUSTRATION



Part No.	Reference No.	Quantity	Description
CON00241	*	1	CONNECTOR; WIRE
PAI00246	*	0	PAINT; SPRAY, TARPAULIN GRAY (SHIPPING UOM 12 OZ HAZ)
PLU00984	*	1	PLUG; LOCKING HOLE
PNL25790	*	1	PANEL, CONTROL PANEL BASE, 39.14 HEIGHT
SCR01918	*	5	SCREW, 10-24 THREAD ROLL, INDENT HEX WASHER HD
SRP00093	*	1	STRAP;CAPACITOR
TER00312	*	2	TERMINAL; 8IN. TIE CABLE
TIE00007	*	2	TIE;CABLE
CPT02655	1	1	CAPACITOR; 70+7.5 MFD 440V
SHD00386	2	1	SHIELD; MOISTURE, 12.75 X 5.00
SHD00387	3	1	SHIELD; MOISTURE, 10.25 X 4.00
CTR02576	4	1	CONTACTOR; 2P 40A 24VAC / SCREWS
PLU01351	5	1	PLUG; SCROLL COMPRESSOR

Part No.	Reference No.	Quantity	Description
0000031577~P	*		FAN PARTS LIST

FAN

75010673

REV  
A

TYPICAL ILLUSTRATION



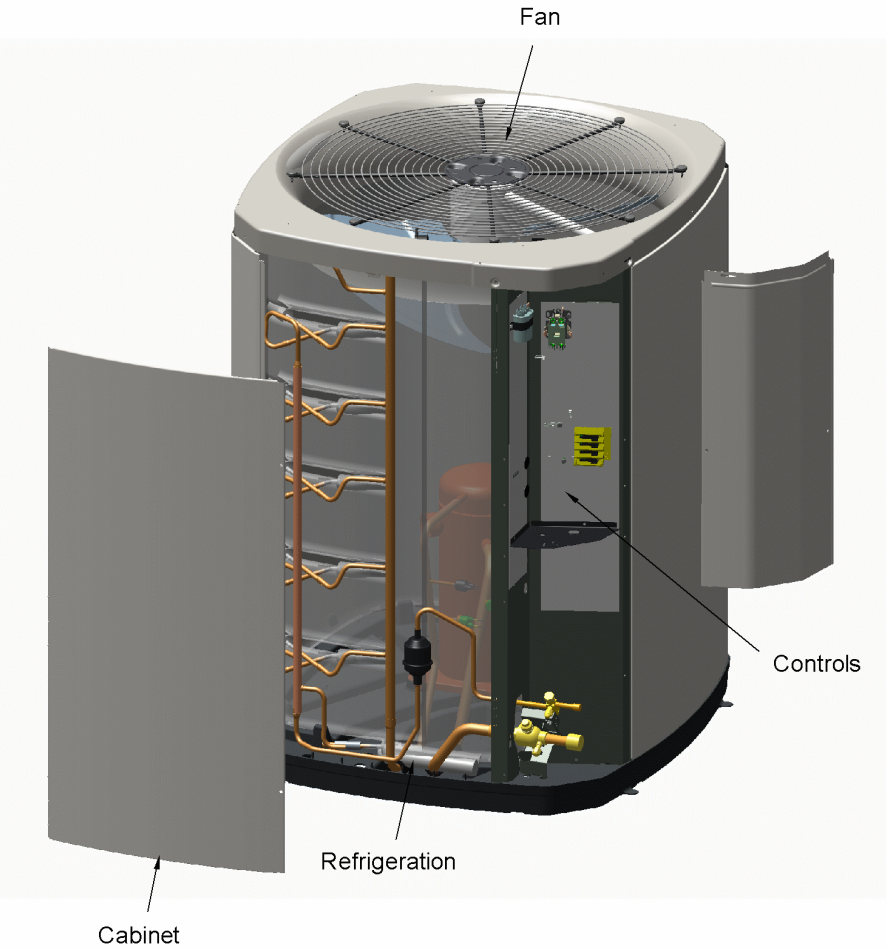
Part No.	Reference No.	Quantity	Description
FAN05525	1	1	FAN; 2 SWEPT BLADES, 27.50 IN DIA, 27 DEG PITCH, 0.50 IN BORE, CCW, ALUMINUM, 1 SET SCREW-STEEL, SPIDER 0.050 THK
MOT17917	2	1	MOTOR; 1/5 HP, 200/230/60/1, 825 RPM, 48 FRAME, PSC, BALL BEARING, CCW
GRL01348	3	1	GRILLE; FAN, 29 IN DIA, SPIRAL WIRE, BASALT GREY
SCR02086	4	4	SCREW; 10-32 TR-3 HXW 3/8 S
GRD01416	5	1	GUARD, TROUGH-LEAD

Part No.	Reference No.	Quantity	Description
0000031608~P	*		GENERAL ASSEMBLY GRAPHIC

SPLIT SYSTEM COOLING

75011194

REV.  
A



This is a typical illustration. The unit in the field may not appear exactly as shown.

Part No.	Reference No.	Quantity	Description
0000031630~P	*		MODEL NUMBER DESCRIPTION

MODEL NUMBER DESCRIPTION

75005587

REL  
C

OUTDOOR UNITS

*Example Model Number:*

**4 A 7 A 0 0 3 6 A 1 0 0 0 A A**  
1 - - - 5 - - - 10 - - - 15

**Digit 1 – Refrigerant Type**

2 = R-22  
4 = R-410A

**Digit 2 – American Standard**

**Digit 3 – Product Type**

6,W = Split Heat Pump  
7,T = Split Cooling

**Digit 4 – Product Family**

V = Variable Speed  
Z = Leadership - Two Stage  
X = Leadership  
R = Replacement/Retail  
M or B = Basic  
A = Light Commercial  
L = Side Discharge

**Digit 5 – Family SEER**

3 = 13      7 = 17  
4 = 14      8 = 18  
5 = 15      9 = 19  
6 = 16      0 = 20

**Digits 6 – Split System Connections 1-6 Tons**

0 = Brazed

**Digits 7,8 – Nominal Capacity in 000s BTUs**

**Digit 9 – Major Design Modifications**

**Digit 10 – Power Supply**

1 = 200-230/1/60 or 208-230/1/60  
3 = 200-230/3/60  
4 = 460/3/60

**Digit 11,12,13 – Secondary Function**

**Digit 14 – Minor Design Modifications**

**Digit 15 – Unit Parts Identifier**

Part No.	Reference No.	Quantity	Description
0000031629~P	*		OPTIONAL ACCESSORIES

Part No.	Reference No.	Quantity	Description
BAYKSKT263	*	1	KIT; COMPRESSOR START KIT
KIT05354	*	1	KIT; TIME DELAY (TAYASCT501A) - 5 MINUTE RELAY ONLY IS RLY01343
KIT06322	*	1	KIT; LOW TEMP COOLING (AY28X079)
KIT07731	*	1	KIT; SNOW LEGS, CONTAINS (4) 6" MOUNTING LEGS (BAYLEGS002)
KIT07732	*	1	KIT; SNOW LEGS, (4" EXTENSION KIT) (BAYLEGS003)
KIT08036	*	1	KIT; SEA COAST (BAYSEAC001)
KIT08087	*	1	KIT; HEAD PRESSURE (BAYLOAM103)
KIT08413	*	1	KIT; SOUND ENCLOSURE, (BAYSDEN004), (MODELS WITH LARGE FRAME (QUEST) SCROLL COMPRESSORS NO LARGER THAN 17.3" TALL OR 7.3" IN DIAMETER EXCEPT IN CABINET HEIGHTS 32.7" OR SHORTER)
KIT09425	*	1	KIT; ISOLATOR (BAYISLT101) (CONTAINS A QTY OF 5 ISOLATORS)
KIT15190	*	1	KIT; EXTREME MOUNTING CONDITION (BAYECMT004).
KIT17668	*	1	KIT; CRANKCASE HEATER FOR SCROLLS, 60W, 230V (BAYCCHT301RES), 6.5-7.5 DIA, 74 IN LENGTH
PAI00309	*	1	PAINT; DARK BROWN, 12 OZ SPRAY CAN, HERESITE AIR DRY PHENOLIC COATING, VR-554T

Part No.	Reference No.	Quantity	Description
0000031588~P	*		REFRIGERATION



Part No.	Reference No.	Quantity	Description
BRK03696	*	1	BRACKET; VALVE
CAP01412	*	1	CAP; SERVICE VALVE, BRASS, 1.00 OD X 0.57 ID X M18 X 1-6H
COM13703	*	1	COMPRESSOR; LCA049B1CPA SCROLL-13703
PAI00246	*	0	PAINT; SPRAY, TARPAULIN GRAY (SHIPPING UOM 12 OZ HAZ)
PLU00425	*	0	PLUG; TUBE
SCR02054	*	3	SCREW; 12-18 AB HXW 1/2 SN
SLV00082	*	0	SLEEVE;
SLV00083	*	0	SLEEVE;
TEE00095	*	1	TEE; COPPER
TER00312	*	0	TERMINAL; 8IN. TIE CABLE
TIE00007	*	0	TIE;CABLE
TIE00023	*	4	TIE;CABLE, 8.00IN.
TUB02810	*	16	TUBE; TRANSITION
TUB11547	*	16	TUBE; TRANSITION ASSEMBLY
VAL20231	*	1	VALVE; SER GAS 0 (14-14-14)
SCR02010	3	3	SCREW; 12-18 AB HXW 1/2 SN
CAP01336	4	1	CAP; SERVICE LIQUID VALVE, BRASS, 0.75 OD X 0.57 ID X 11/16-28UN-2B
CAP00156	5	0	CAP, TUBE PLUG, .447-.513 OD
VAL09293	5a	1	VALVE, SERVICE LIQUID, .38 OD X .38 OD, VALVE ASSY
SWT03273	7	1	SWITCH, HIGH PRESSURE, SPST, OPEN @ 650 PSIG, CLOSE @ 500 PSIG, 88" YELLOW LEAD