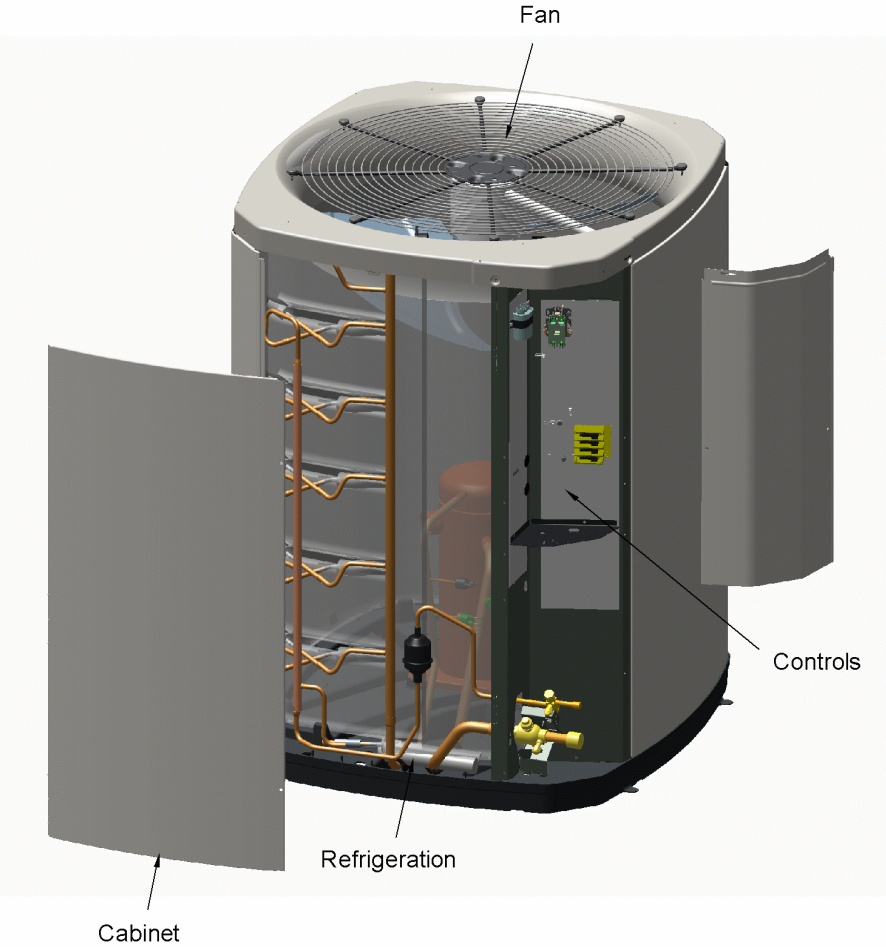


SPLIT SYSTEM COOLING

75011194

REV.
A



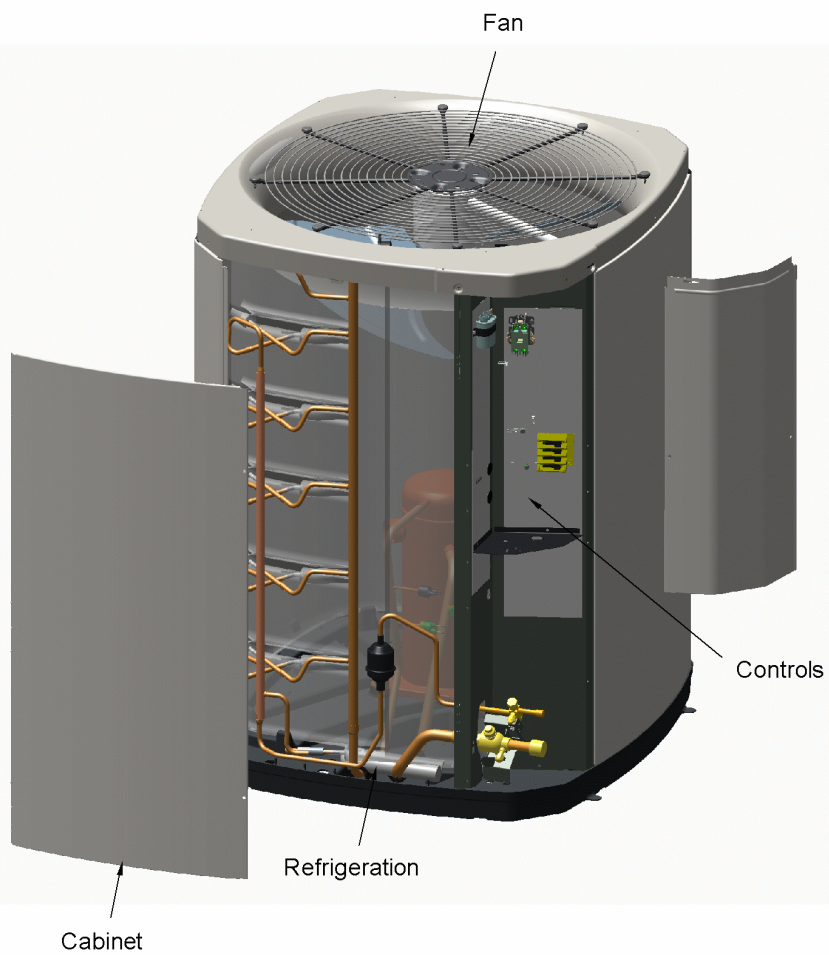
This is a typical illustration. The unit in the field may not appear exactly as shown.

Part No.	Reference No.	Quantity	Description
75010796#4A7A6UP8~S	*		CABINTRY
75010701#4A7A6UP8~S	*		CONTROLS
75010673#4A7A6UP8~S	*		FAN
75005587#4A7A6UP8~S	*		MODEL NUMBER DESCRIPTION
OPTIONS#4A7A6UP8~S	*		OPTIONAL ACCESSORIES
75011187#4A7A6UP8~S	*		REFRIGERATION
75011194_4A7A6UP8_180374~P	*		SPLIT SYSTEM COOLING PARTS LIST

SPLIT SYSTEM COOLING

75011194

REV.
A

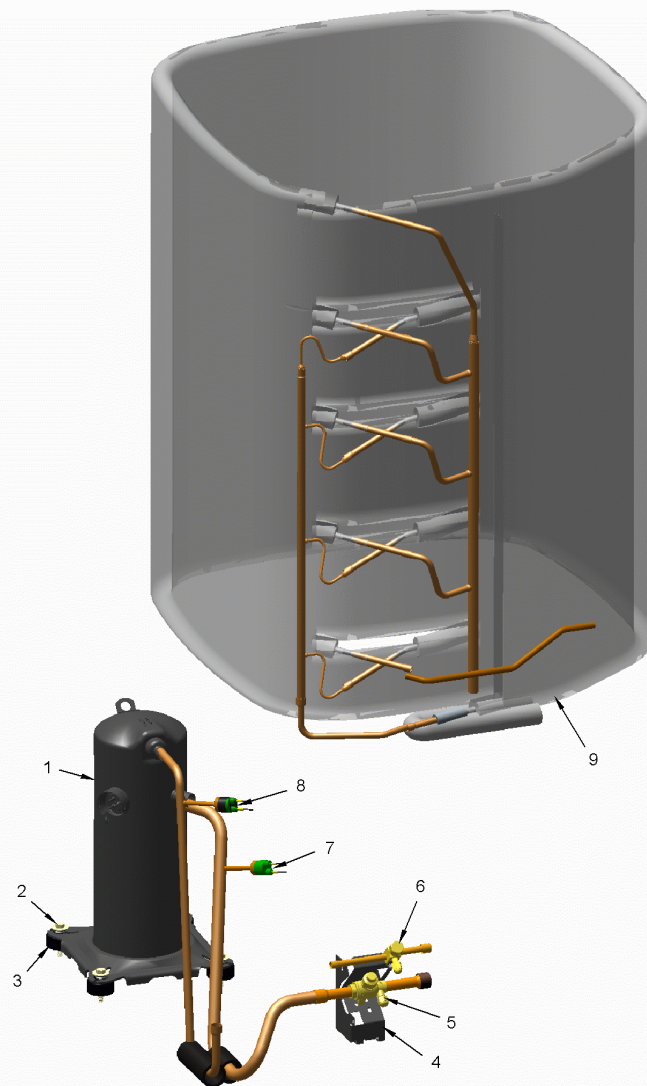


This is a typical illustration. The unit in the field may not appear exactly as shown.

REFRIGERATION

75011187

REV.
A



This is a typical illustration. The unit in the field may not appear exactly as shown.

Parts List Number :75011194#4A7A6UP8

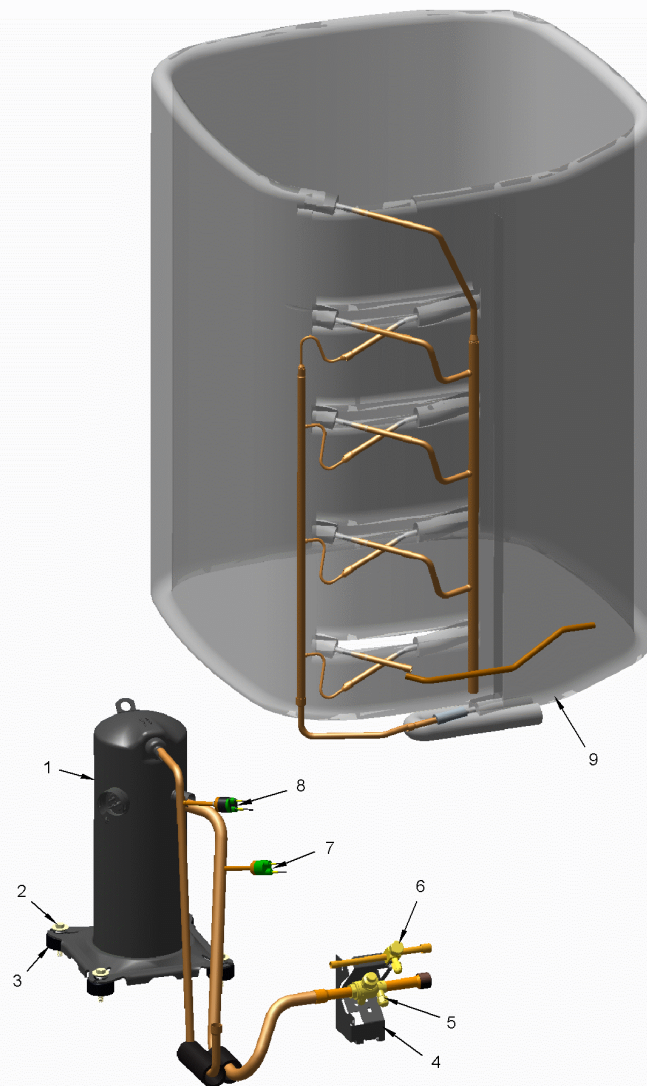
Model Number :4A7A6060J1000BA

Part No.	Reference No.	Quantity	Description
75011187_4A7A6UP8_188833~P	*		REFRIGERATION PARTS LIST

REFRIGERATION

75011187

REV.
A



This is a typical illustration. The unit in the field may not appear exactly as shown.

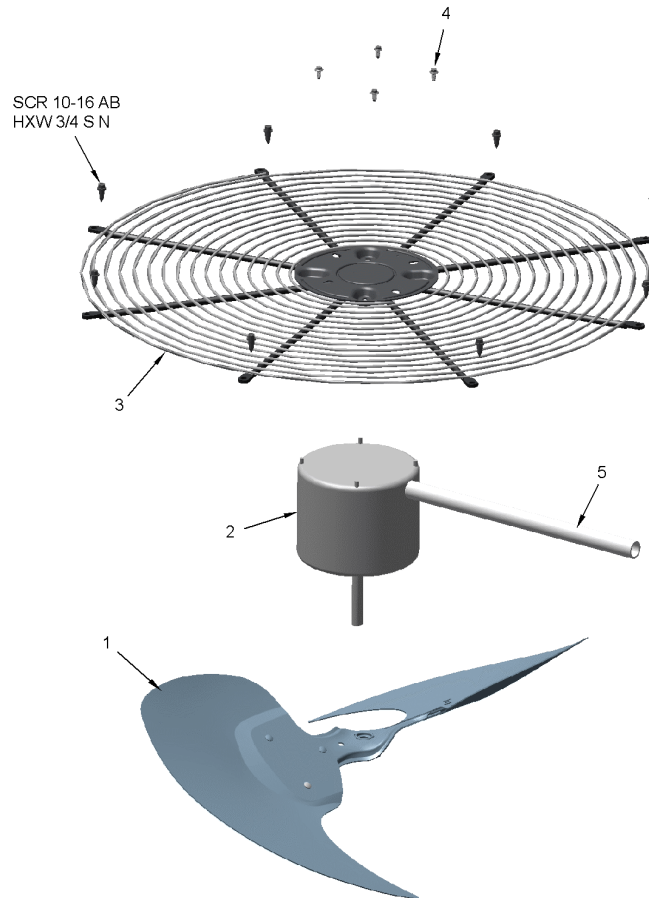
Part No.	Reference No.	Quantity	Description
DHY01457	*	1	DRIER; LIQUID LINE; SERVICE FIRST; 5 CU. IN.; 5.4 TON CAPACITY; 3/8" ODF INLET X 3/8" ODF OUTLET; APPROVED FOR MINERAL OIL AND POE OIL REFRIGERANTS
PLU01351	*	1	PLUG; SCROLL COMPRESSOR
SHD00423	*	1	SHIELD; SALT, 47.75 X 8.00
SPC00386	*	1	SPACER; BASE, 5.50 X 1.00 X 0.50
SPC00512	*	3	SPACER; TUBING
SPC00513	*	6	SPACER; COIL
COM12498	1	1	COMPRESSOR; LBA049B1CPA SCROLL-#12498
SCR01914	2	4	SCREW, ASSEMBLY COMPRESSOR, 5/16-12 TYPE B, W/WASHER & SLEEVE
ISR00007	3	4	ISOLATOR; VIBRATION
BRK03696	4	1	BRACKET; VALVE
VAL11774	5	1	VALVE; SERVICE GAS ASSEMBLY, 0.88 ODS X 0.88 ODS, WITH 0.25 SAE SERVICE PORT SERVICE
VAL09293	6	1	VALVE, SERVICE LIQUID, .38 OD X .38 OD, VALVE ASSY
SWT03347	7	1	SWITCH; LOW PRESSURE, OPEN @ 50 PSIG CLOSE @ 70 PSIG
SWT03273	8	1	SWITCH, HIGH PRESSURE, SPST, OPEN @ 650 PSIG, CLOSE @ 500 PSIG, 88" YELLOW LEAD
COL25748	9	1	COIL; SPINE FIN, 32.14W X 43.00H

FAN

75010673

REV
A

TYPICAL ILLUSTRATION



Parts List Number :75011194#4A7A6UP8

Model Number :4A7A6060J1000BA

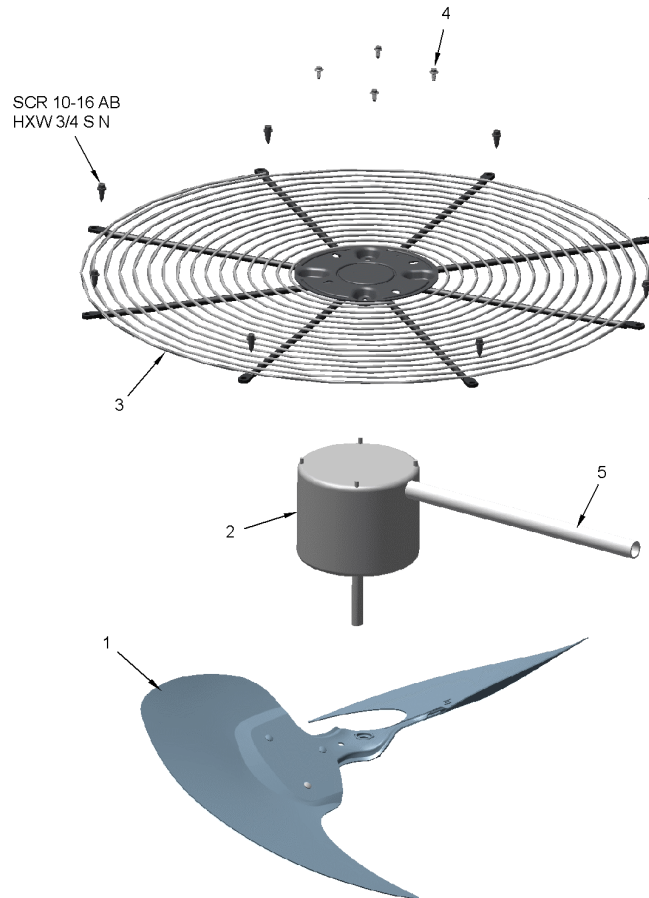
Part No.	Reference No.	Quantity	Description
75010673_4A7A6UP8_188831~P	*		FAN PARTS LIST

FAN

75010673

REV
A

TYPICAL ILLUSTRATION



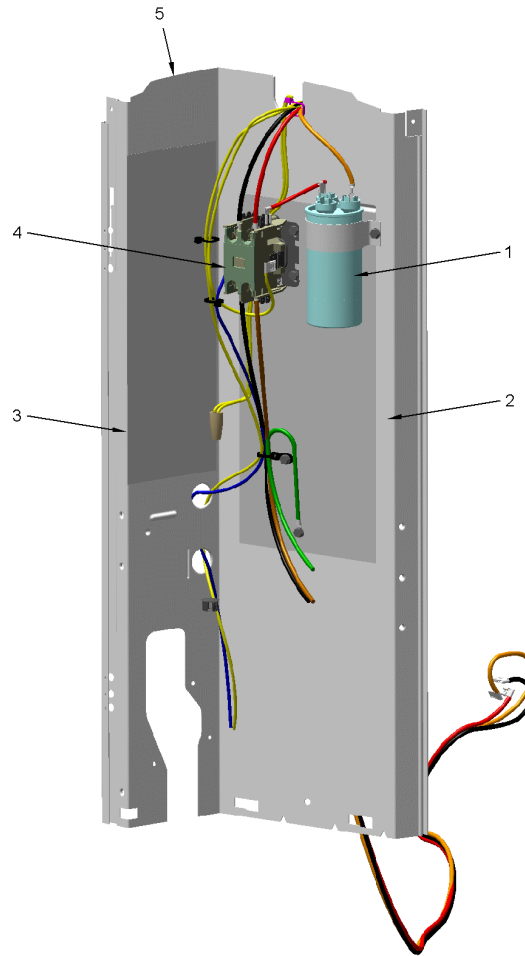
Part No.	Reference No.	Quantity	Description
COV03250	*	1	COVER; MOTOR, 6.86 DIA
FAN05525	1	1	FAN; 2 SWEPT BLADES, 27.50 IN DIA, 27 DEG PITCH, 0.50 IN BORE, CCW, ALUMINUM, 1 SET SCREW-STEEL, SPIDER 0.050 THK
MOT17346	2	1	MOTOR; 1/5 HP - 48 FRAME
GRL01348	3	1	GRILLE; FAN, 29 IN DIA, SPIRAL WIRE, BASALT GREY
SCR02086	4	4	SCREW; 10-32 TR-3 HXW 3/8 S
GRD01416	5	1	GUARD, TROUGH-LEAD

CONTROLS

75010701

REV
A

TYPICAL ILLUSTRATION



Parts List Number :75011194#4A7A6UP8

Model Number :4A7A6060J1000BA

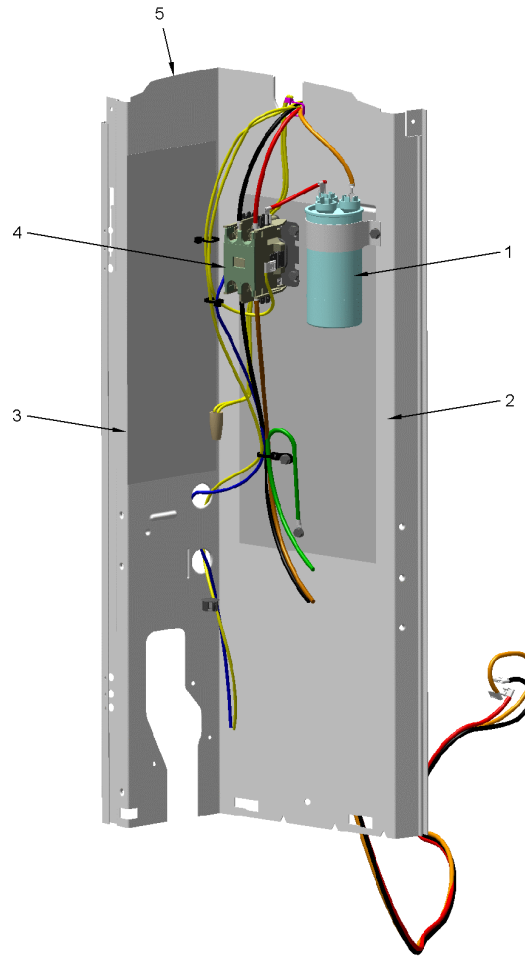
Part No.	Reference No.	Quantity	Description
75010701_4A7A6UP8_188832~P	*		CONTROLS PARTS LIST

CONTROLS

75010701

REV
A

TYPICAL ILLUSTRATION



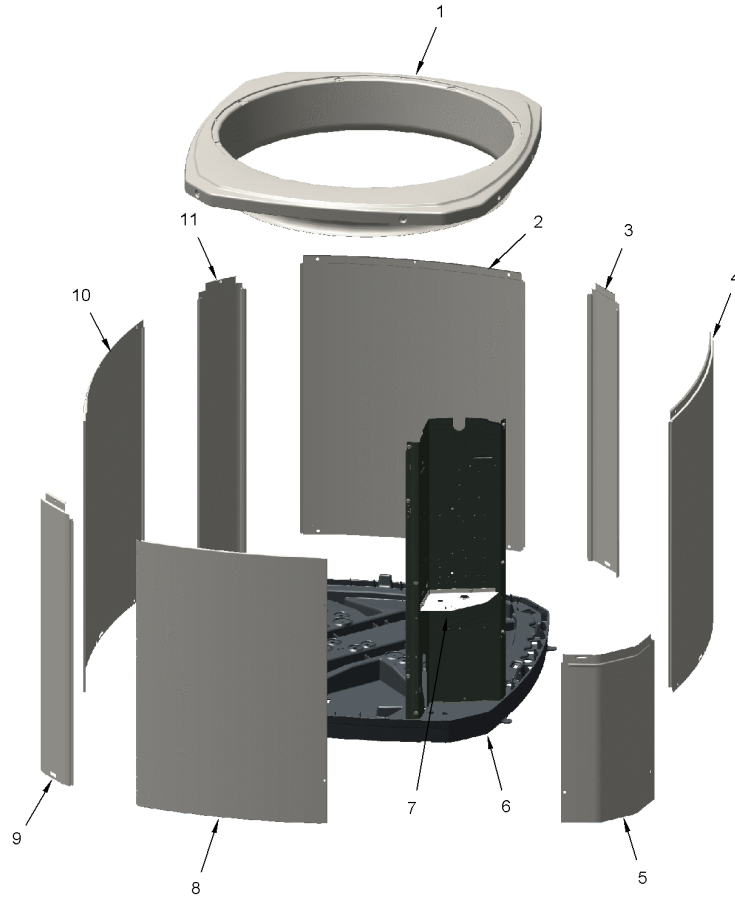
Part No.	Reference No.	Quantity	Description
CON00241	*	1	CONNECTOR; WIRE
PAI00248	*	1	PAINT; 12 OZ SPRAY, ANTHRACITE GRAY (SHIPPING UOM 12 OZ HAZ)
PLU00984	*	1	PLUG; LOCKING HOLE
CPT02655	1	1	CAPACITOR; 70+7.5 MFD 440V
SHD00386	2	1	SHIELD; MOISTURE, 12.75 X 5.00
SHD00387	3	1	SHIELD; MOISTURE, 10.25 X 4.00
CTR01028	4	1	CONTACTOR; 2P, 40A 600V CONTACTS, 24 CV, 60HZ
PNL25790	5	1	PANEL, CONTROL PANEL BASE, 39.14 HEIGHT

CABINET

75010796

REV.
A

TYPICAL ILLUSTRATION



Parts List Number :75011194#4A7A6UP8

Model Number :4A7A6060J1000BA

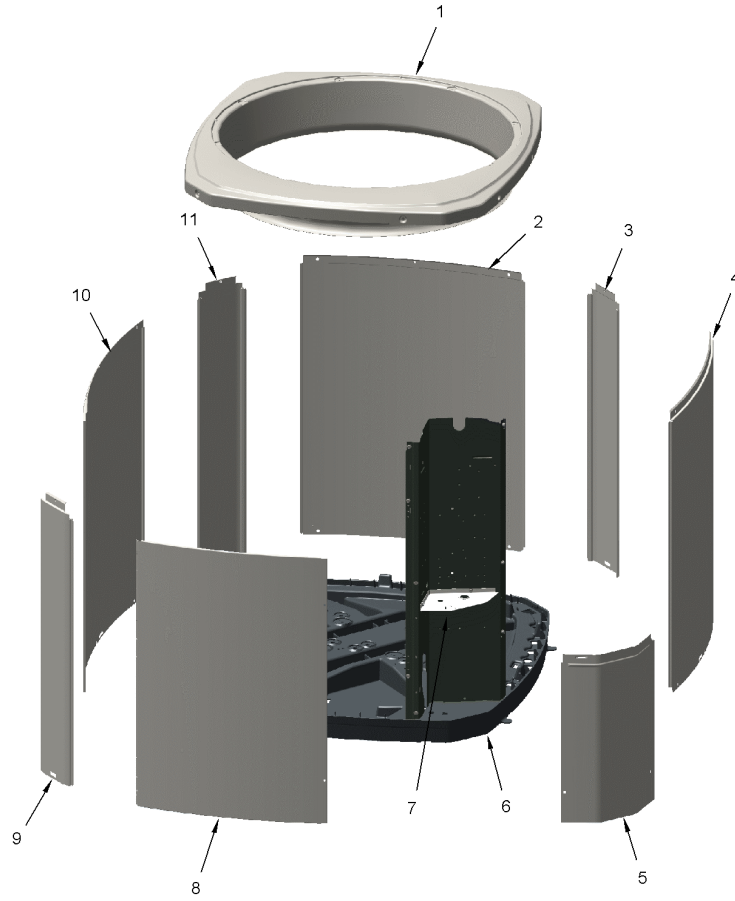
Part No.	Reference No.	Quantity	Description
75010796_4A7A6UP8_180379~P	*		CABINETY PARTS LIST

CABINET

75010796

REV.
A

TYPICAL ILLUSTRATION



Parts List Number :75011194#4A7A6UP8

Model Number :4A7A6060J1000BA

Part No.	Reference No.	Quantity	Description
PAI00207	*	1	PAINT; SPINNAKER GRAY (SHIPPING UOM 12 OZ HAZ) SPRAY CAN
SCR02010	*	17	SCREW; 12-18 AB HXW 1/2 SN
COV04507	1	1	COVER; TOP, 37.00 X 34.00, SPINNAKER GRAY
PNL25664	2	1	PANEL; WRAPPER, 41.33 X 22.98
PNL26270	3	1	PANEL; CORNER POST, 3.5 x 41.3 INCHES
PNL25664	4	1	PANEL; WRAPPER, 41.33 X 22.98
COV04037	5	1	COVER; CONTROLS, 11 x 18 INCHES
BAS01834	6	1	BASE; 41.78 X 41.81 DIAGONALLY
COV03228	7	1	COVER, CONTROL BOTTOM
PNL25665	8	1	PANEL; ACCESS, 40.65 X 19.79
PNL26270	9	1	PANEL; CORNER POST, 3.5 x 41.3 INCHES
PNL25663	10	1	PANEL; WRAPPER, 41.33 X 27.00
PNL26270	11	1	PANEL; CORNER POST, 3.5 x 41.3 INCHES

MODEL NUMBER DESCRIPTION

75005587

REL
C

OUTDOOR UNITS

Example Model Number:

4 A 7 A 0 0 3 6 A 1 0 0 0 A A
1 - - - 5 - - - 10 - - - 15

Digit 1 – Refrigerant Type

2 = R-22
4 = R-410A

Digit 2 – American Standard

Digit 3 – Product Type

6,W = Split Heat Pump
7,T = Split Cooling

Digit 4 – Product Family

V = Variable Speed
Z = Leadership - Two Stage
X = Leadership
R = Replacement/Retail
M or B = Basic
A = Light Commercial
L = Side Discharge

Digit 5 – Family SEER

3 = 13 7 = 17
4 = 14 8 = 18
5 = 15 9 = 19
6 = 16 0 = 20

Digits 6 – Split System Connections 1-6 Tons

0 = Brazed

Digits 7,8 – Nominal Capacity in 000s BTUs

Digit 9 – Major Design Modifications

Digit 10 – Power Supply

1 = 200-230/1/60 or 208-230/1/60
3 = 200-230/3/60
4 = 460/3/60

Digit 11,12,13 – Secondary Function

Digit 14 – Minor Design Modifications

Digit 15 – Unit Parts Identifier

Part No.	Reference No.	Quantity	Description
75005587_4A7A6UP8_180375~P	*		MODEL NUMBER DESCRIPTION PARTS LIST

MODEL NUMBER DESCRIPTION

75005587

REL
C

OUTDOOR UNITS

Example Model Number:

4 A 7 A 0 0 3 6 A 1 0 0 0 A A
1 - - - 5 - - - 10 - - - 15

Digit 1 – Refrigerant Type

2 = R-22
4 = R-410A

Digit 2 – American Standard

Digit 3 – Product Type

6,W = Split Heat Pump
7,T = Split Cooling

Digit 4 – Product Family

V = Variable Speed
Z = Leadership - Two Stage
X = Leadership
R = Replacement/Retail
M or B = Basic
A = Light Commercial
L = Side Discharge

Digit 5 – Family SEER

3 = 13 7 = 17
4 = 14 8 = 18
5 = 15 9 = 19
6 = 16 0 = 20

Digits 6 – Split System Connections 1-6 Tons

0 = Brazed

Digits 7,8 – Nominal Capacity in 000s BTUs

Digit 9 – Major Design Modifications

Digit 10 – Power Supply

1 = 200-230/1/60 or 208-230/1/60
3 = 200-230/3/60
4 = 460/3/60

Digit 11,12,13 – Secondary Function

Digit 14 – Minor Design Modifications

Digit 15 – Unit Parts Identifier

OPTIONAL ACCESSORIES

Parts List Number :75011194#4A7A6UP8

Model Number :4A7A6060J1000BA

Part No.	Reference No.	Quantity	Description
OPTIONS_4A7A6UP8_180382~P	*		OPTIONAL ACCESSORIES PARTS LIST

Part No.	Reference No.	Quantity	Description
BAYKSKT263	*	1	KIT; COMPRESSOR START KIT
KIT05354	*	1	KIT; TIME DELAY (TAYASCT501A) - 5 MINUTE RELAY ONLY IS RLY01343
KIT06322	*	1	KIT; LOW TEMP COOLING (AY28X079)
KIT07731	*	1	KIT; SNOW LEGS, CONTAINS (4) 6" MOUNTING LEGS (BAYLEGS002)
KIT07732	*	1	KIT; SNOW LEGS, (4" EXTENSION KIT) (BAYLEGS003)
KIT08036	*	1	KIT; SEA COAST (BAYSEAC001)
KIT08087	*	1	KIT; HEAD PRESSURE (BAYLOAM103)
KIT08413	*	1	KIT; SOUND ENCLOSURE, (BAYSDEN004), (MODELS WITH LARGE FRAME (QUEST) SCROLL COMPRESSORS NO LARGER THAN 17.3" TALL OR 7.3" IN DIAMETER EXCEPT IN CABINET HEIGHTS 32.7" OR SHORTER)
KIT09425	*	1	KIT; ISOLATOR (BAYISLT101) (CONTAINS A QTY OF 5 ISOLATORS)
KIT15190	*	1	KIT; EXTREME MOUNTING CONDITION (BAYECMT004).
KIT17668	*	1	KIT; CRANKCASE HEATER FOR SCROLLS, 60W, 230V (BAYCCHT301RES), 6.5-7.5 DIA, 74 IN LENGTH
PAI00309	*	1	PAINT; DARK BROWN, 12 OZ SPRAY CAN, HERESITE AIR DRY PHENOLIC COATING, VR-554T