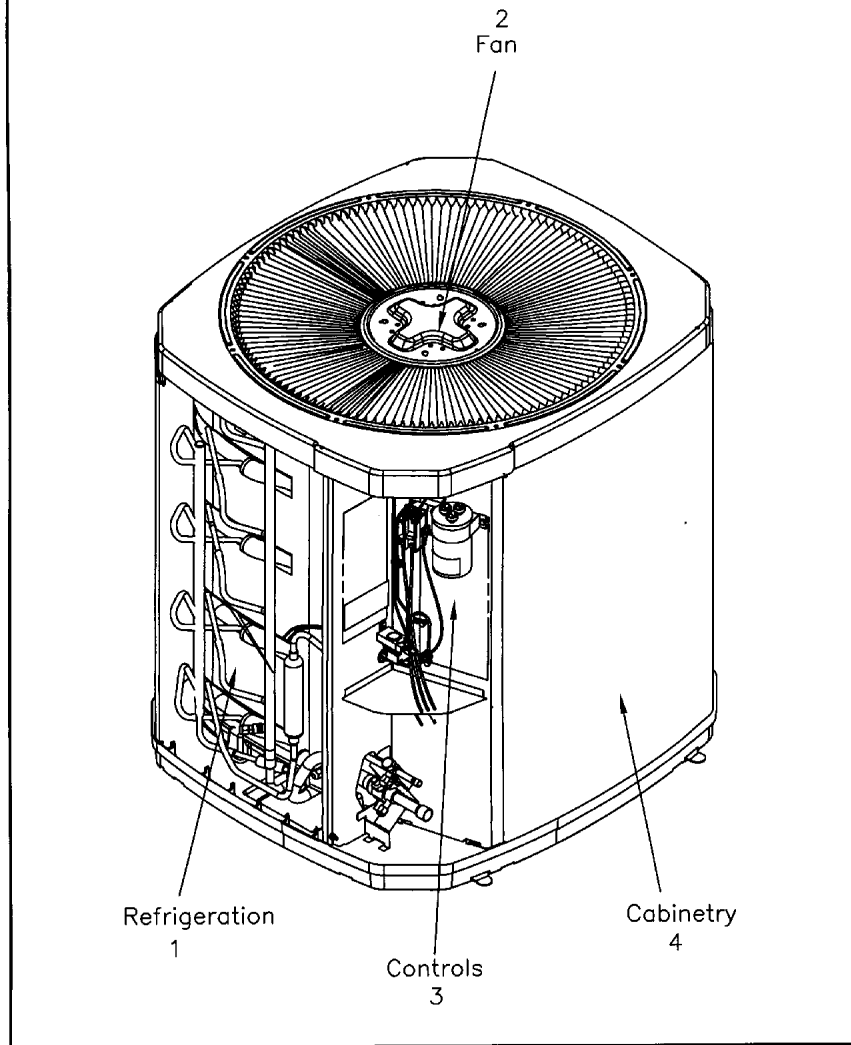


GENERAL ASSEMBLY

75005591

REV  
A

Typical Illustration. Unit may not appear exactly as shown.



<b>Part No.</b>	<b>Reference No.</b>	<b>Quantity</b>	<b>Description</b>
75009040#4A7A6UP5~S	*		CABINTRY
75005596#4A7A6UP5~S	*		CONTROLS
75006826#4A7A6UP5~S	*		FAN
75005591_4A7A6UP5_141482~P	*		GENERAL ASSEMBLY PARTS LIST
75005587#4A7A6UP5~S	*		MODEL NOMENCLATURE
75005580#4A7A6UP5~S	*		REFRIGERATION

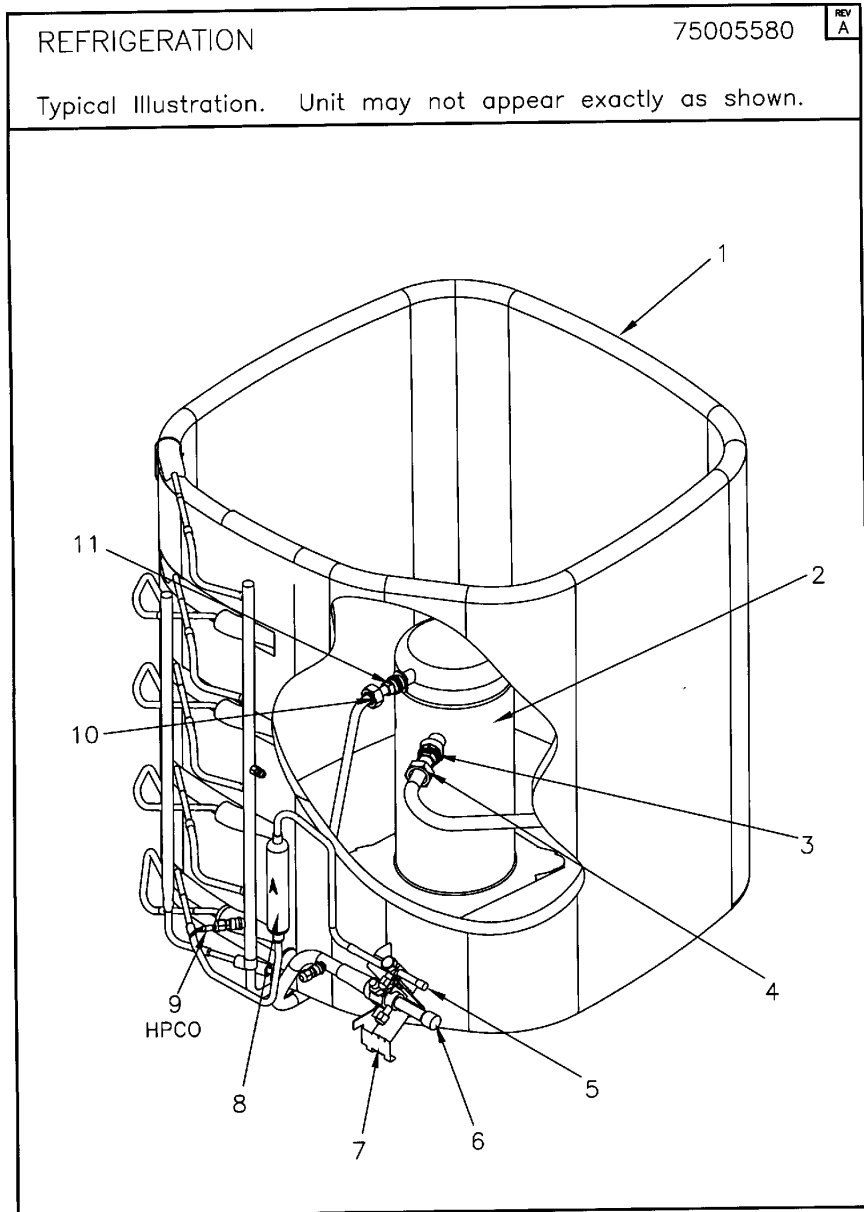
GENERAL ASSEMBLY

75005591

REV  
A

Typical Illustration. Unit may not appear exactly as shown.

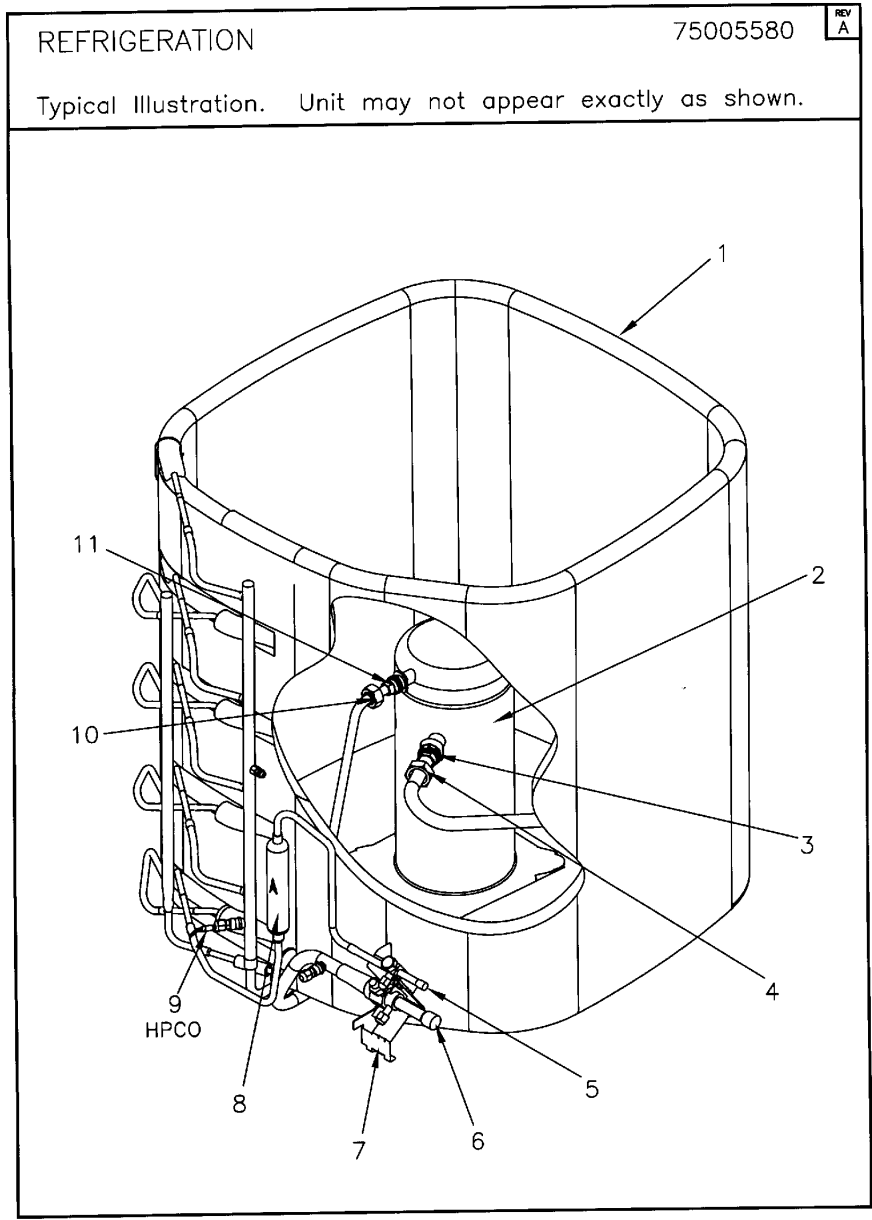




Parts List Number :75005591#4A7A6UP5

Model Number :4A7A6060E1000AA

Part No.	Reference No.	Quantity	Description
75005580_4A7A6UP5_363651~P	*		REFRIGERATION PARTS LIST



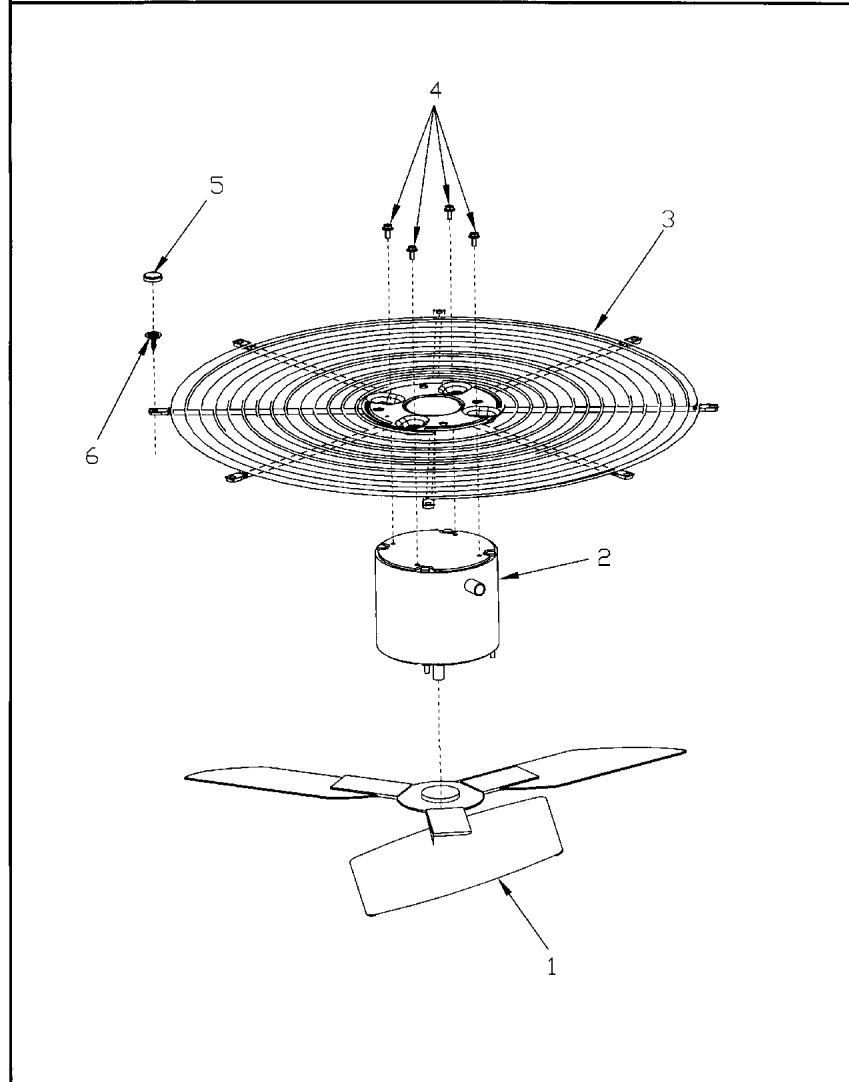
Part No.	Reference No.	Quantity	Description
DHY00179	*	1	DRIER; FILTER/SUCTION LINE, TYPE 45S7, 7/8 IN. ODF CONN (ASD45S7VV)
ISR00007	*	4	ISOLATOR; VIBRATION
SWT03362	*	1	SWITCH; LOW PRESSURE, OPEN @ 50 PSIG CLOSE @ 70 PSIG
COL16500	1	1	COIL; SPINE FIN-5 SIDED
COM09835	2	1	COMPRESSOR; SCROLL TXA049B1RPZ, 4.1 TON, 208-230/60/1, R410A, (SUCTION 1.25-12), (DISCHARGE 1.00-14)
NUT01000	4	1	NUT; 1.00-14 UNS-2B THREAD SIZE (FOR 1/2" TUBE SIZE)
VAL09293	5	1	VALVE, SERVICE LIQUID, .38 OD X .38 OD, VALVE ASSY
VAL07439	6	1	VALVE; SERVICE GAS, 1.13 OD X .88 OD, BALL VALVE ASSEMBLY, BRASS, FEMALE BRAZE TO FEMALE BRAZE, LEFT HAND SERVICE PORT WITH MOUNTING STUD
BRK03020	7	1	BRACKET; VALVE
DHY01089	8	1	DRIER; FILTER/LIQUID LINE, 3/8 ODF, R-410A COMPATIBLE, 5 CU. IN.; 5.4 TON CAPACITY
SWT03364	9	1	SWITCH, HIGH PRESSURE, SPST, OPEN @ 650 PSIG, CLOSE @ 500 PSIG, 110" LEAD
NUT00999	10	1	NUT; 1.25-12 UNF-2B THREAD SIZE (FOR 3/4" OR 5/8" TUBE SIZE)
SLV00185	11	1	SLEEVE; 3/4" TUBE SIZE

FAN

75006826

REV  
A

Typical Illustration. Unit may not appear exactly as shown.



Parts List Number :75005591#4A7A6UP5

Model Number :4A7A6060E1000AA

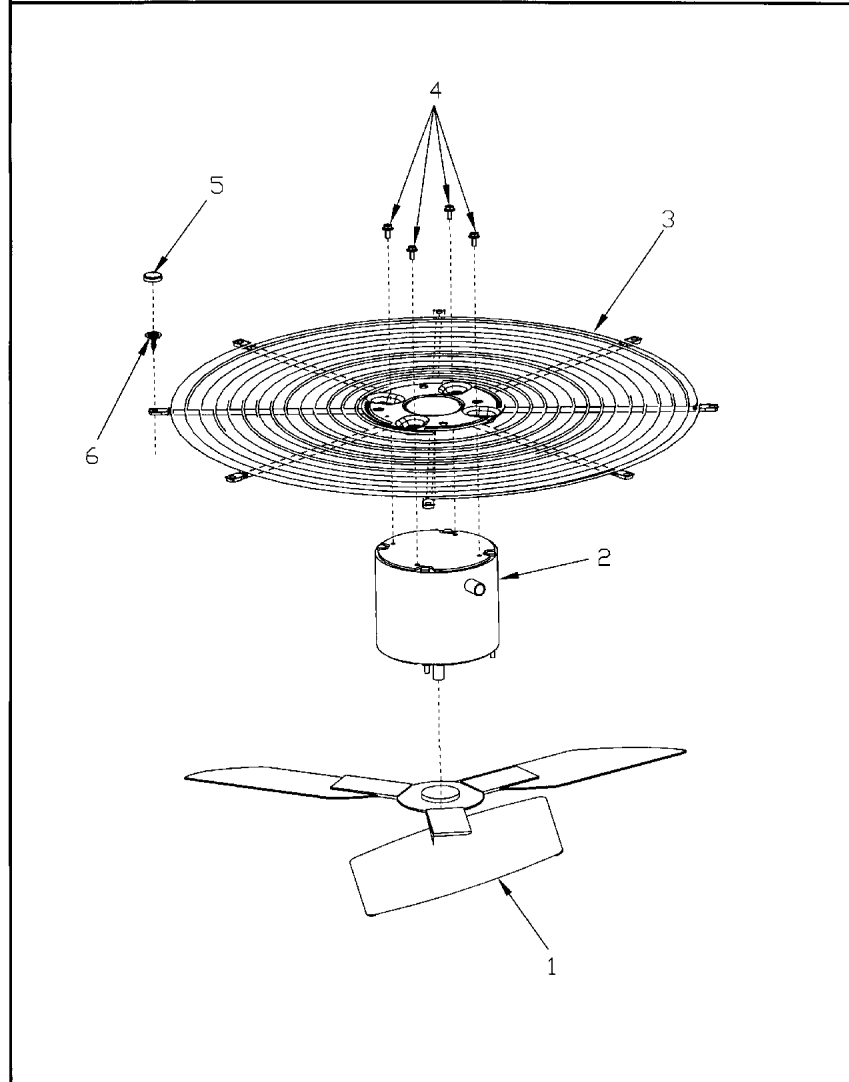
Part No.	Reference No.	Quantity	Description
75006826_4A7A6UP5_363654~P	*		FAN PARTS LIST

FAN

75006826

REV  
A

Typical Illustration. Unit may not appear exactly as shown.



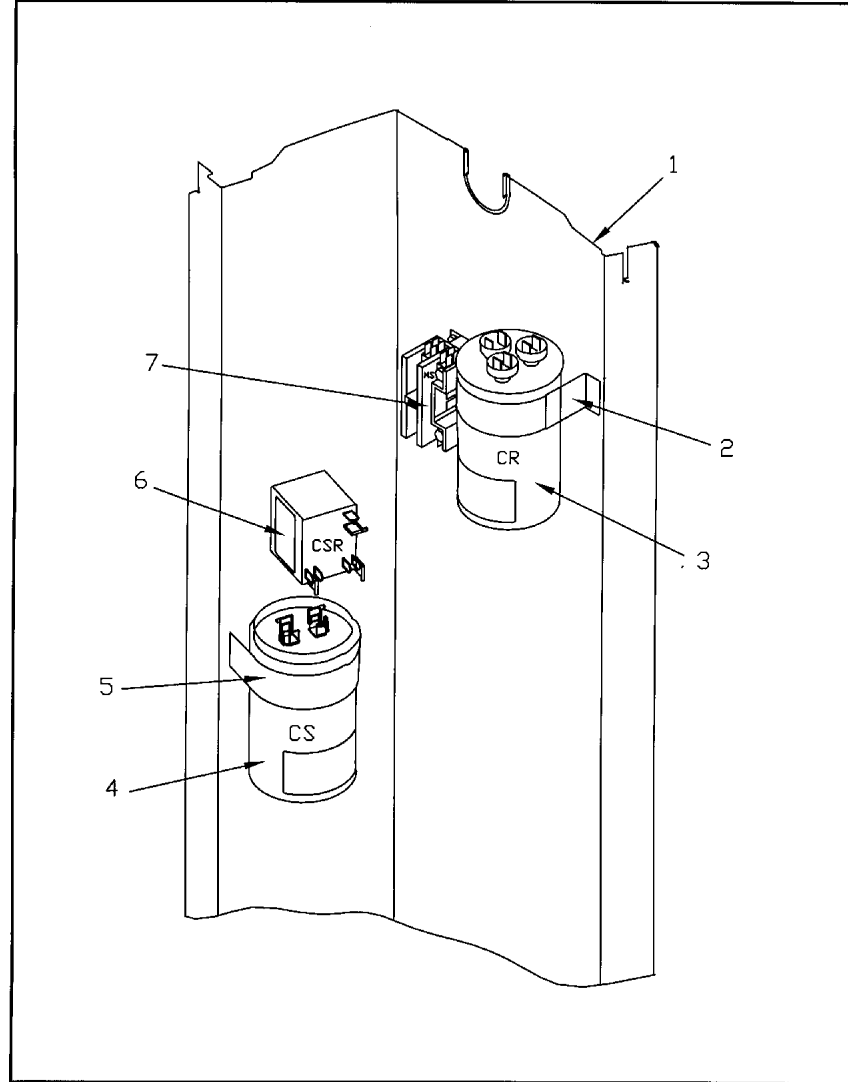
<b>Part No.</b>	<b>Reference No.</b>	<b>Quantity</b>	<b>Description</b>
COV03250	*	1	COVER; MOTOR, 6.86 DIA
FAN04368	1	1	FAN, 3 SWEPT BLADE, 27.5" DIA, 26 DEG PITCH, 0.50" BORE, CCW, ALUMINUM
MOT13793	2	1	MOTOR, 1/3 HP, 200/230/60/1, 850 RPM, 48 FRAME, ECM, BALL BEARING, CCW
GRL01348	3	1	GRILLE; FAN, 29 IN DIA, SPIRAL WIRE, BASALT GREY
NUT00845	4	4	NUT; FLANGE NIBBED
CAP00913	5	8	CAP; RETAINER
SCR01976	6	8	SCREW; NUMBER 10 X 3/4 NO SLOT HWH T/S STEEL ZY .0002 THK BAKE TY AB GROUNDING EYELET

CONTROLS

75005596

REV  
A

Typical Illustration. Unit may not appear exactly as shown.



Parts List Number :75005591#4A7A6UP5

Model Number :4A7A6060E1000AA

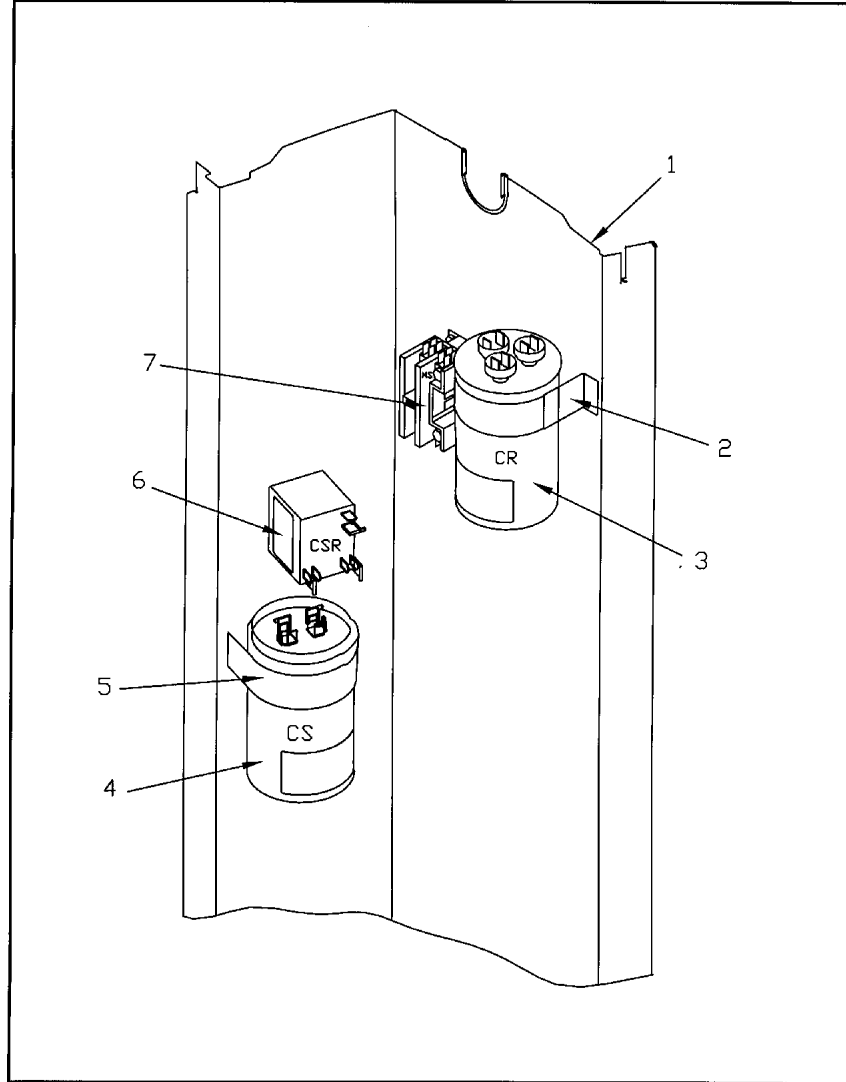
Part No.	Reference No.	Quantity	Description
75005596_4A7A6UP5_363653~P	*		CONTROLS PARTS LIST

CONTROLS

75005596

REV  
A

Typical Illustration. Unit may not appear exactly as shown.



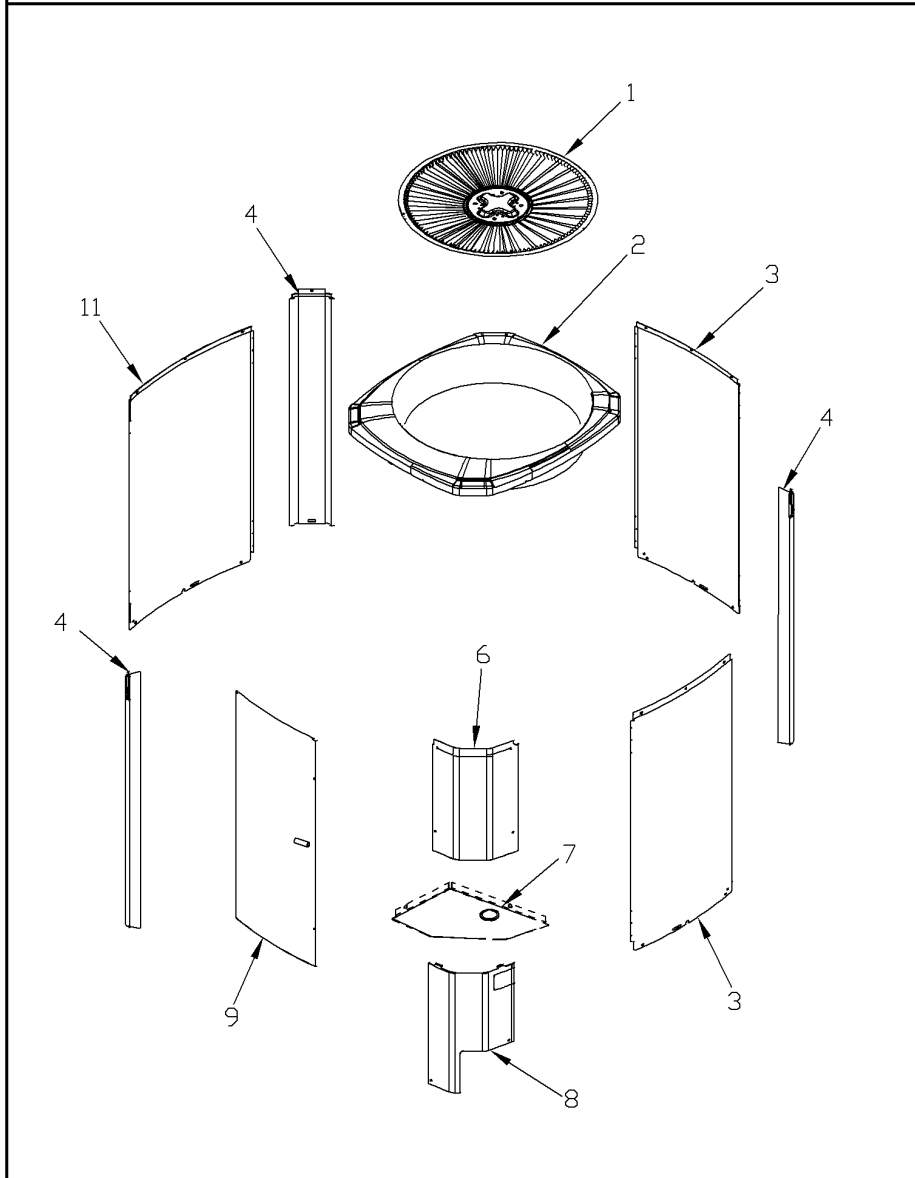
Part No.	Reference No.	Quantity	Description
PLU01057	*	1	PLUG; COMPRESSOR SOLENOID, 2 LEADS, WHITE WIRES, 85 IN LENGTH
RES01000	*	1	RESISTOR; 15W, 220 OHMS
RTF00058	*	1	RECTIFIER; BRIDGE
SHD00386	*	2	SHIELD; MOISTURE, 12.75 X 5.00
SHD00387	*	2	SHIELD; MOISTURE, 10.25 X 4.00
WIR04272	*	1	WIRE; HARNESS-CONTROL BOX
WIR04816	*	1	WIRE; PLUG-SCROLL COMPRESSOR
PNL25790	1	1	PANEL, CONTROL PANEL BASE, 39.14 HEIGHT
SRP00093	2	1	STRAP;CAPACITOR
CPT00272	3	1	CAPACITOR; RUN, 40 MFD, 440V, ROUND, W/RESISTOR
RLY03345	6	1	RELAY; DELAY ON MAKE, 24V COIL, 1.5 A
CTR01028	7	1	CONTACTOR; 2P, 40A 600V CONTACTS, 24 CV, 60HZ

CABINETY

75009040

REV  
A

Typical Illustration. Unit may not appear exactly as shown.



Parts List Number :75005591#4A7A6UP5

Model Number :4A7A6060E1000AA

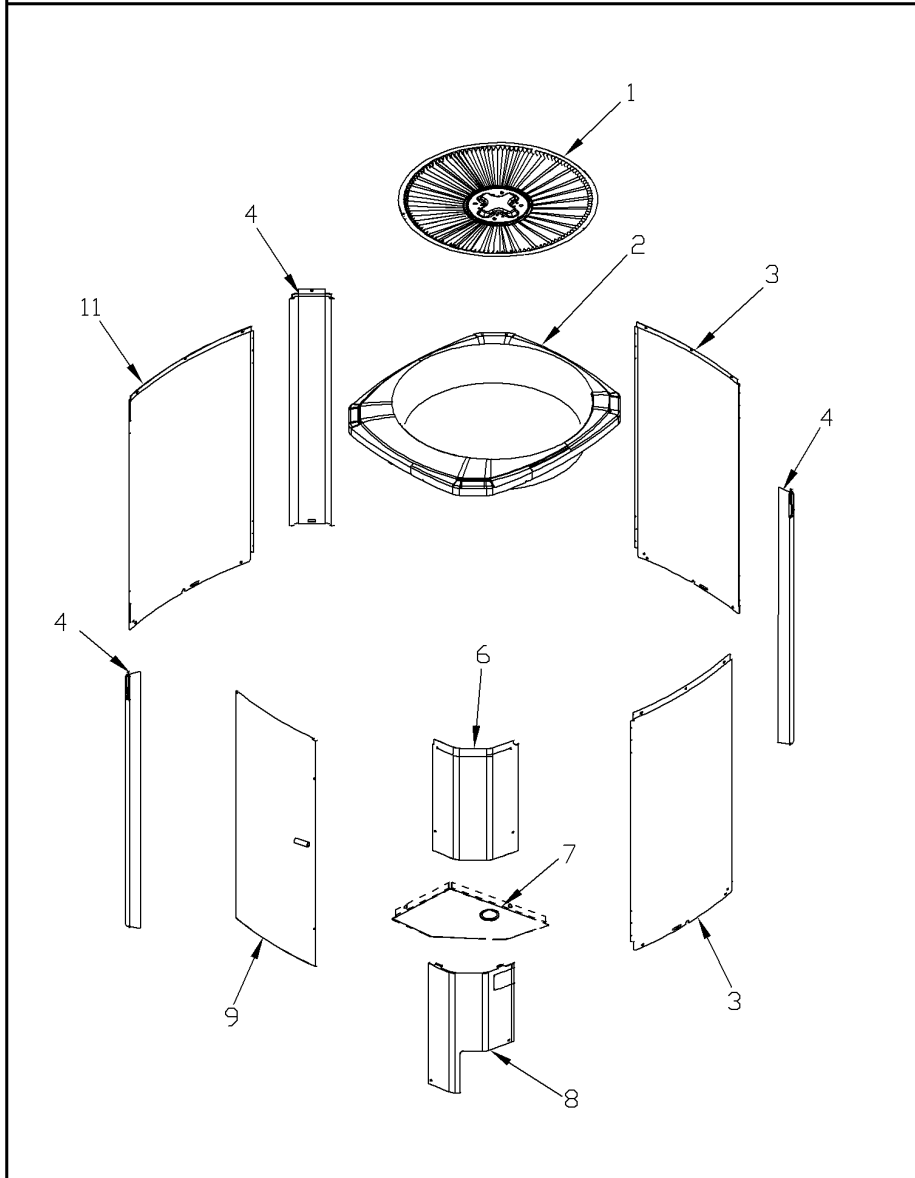
Part No.	Reference No.	Quantity	Description
75009040_4A7A6UP5_141488~P	*		CABINETY PARTS LIST

CABINETY

75009040

REV  
A

Typical Illustration. Unit may not appear exactly as shown.



Part No.	Reference No.	Quantity	Description
PAI00207	*	1	PAINT; SPINNAKER GRAY (SHIPPING UOM 12 OZ HAZ) SPRAY CAN
PAI00248	*	1	PAINT; 12 OZ SPRAY, ANTHRACITE GRAY (SHIPPING UOM 12 OZ HAZ)
SCR02010	*	19	SCREW; 12-18 AB HXW 1/2 SN
GRL01348	1	1	GRILLE; FAN, 29 IN DIA, SPIRAL WIRE, BASALT GREY
COV04035	2	1	COVER; TOP, 37.00 X 34.00
PNL25664	3	1	PANEL; WRAPPER, 41.33 X 22.98
PNL26270	4	3	PANEL; CORNER POST, 3.5 x 41.3 INCHES
COV04038	6	1	COVER; CONTROLS, 11 x 26 INCHES
COV03228	7	1	COVER, CONTROL BOTTOM
COV04041	8	1	COVER; VALVE, 11.32 x15.4 INCHES
PNL25665	9	1	PANEL; ACCESS, 40.65 X 19.79
PNL25663	11	1	PANEL; WRAPPER, 41.33 X 27.00

MODEL NUMBER DESCRIPTION

75005587

REL  
C

OUTDOOR UNITS

*Example Model Number:*

**4 A 7 A 0 0 3 6 A 1 0 0 0 A A**  
1 - - - 5 - - - 10 - - - 15

**Digit 1 – Refrigerant Type**

- 2 = R-22
- 4 = R-410A

**Digit 2 – American Standard**

**Digit 3 – Product Type**

- 6,W = Split Heat Pump
- 7,T = Split Cooling

**Digit 4 – Product Family**

- V = Variable Speed
- Z = Leadership - Two Stage
- X = Leadership
- R = Replacement/Retail
- M or B = Basic
- A = Light Commercial
- L = Side Discharge

**Digit 5 – Family SEER**

- 3 = 13      7 = 17
- 4 = 14      8 = 18
- 5 = 15      9 = 19
- 6 = 16      0 = 20

**Digits 6 – Split System Connections 1-6 Tons**

- 0 = Brazed

**Digits 7,8 – Nominal Capacity in 000s BTUs**

**Digit 9 – Major Design Modifications**

**Digit 10 – Power Supply**

- 1 = 200-230/1/60 or 208-230/1/60
- 3 = 200-230/3/60
- 4 = 460/3/60

**Digit 11,12,13 – Secondary Function**

**Digit 14 – Minor Design Modifications**

**Digit 15 – Unit Parts Identifier**

Part No.	Reference No.	Quantity	Description
75005587_4A7A6UP5_141484~P	*		MODEL NOMENCLATURE PARTS LIST

MODEL NUMBER DESCRIPTION

75005587

REL  
C

OUTDOOR UNITS

*Example Model Number:*

**4 A 7 A 0 0 3 6 A 1 0 0 0 A A**  
1 - - - 5 - - - 10 - - - 15

**Digit 1 – Refrigerant Type**

2 = R-22  
4 = R-410A

**Digit 2 – American Standard**

**Digit 3 – Product Type**

6,W = Split Heat Pump  
7,T = Split Cooling

**Digit 4 – Product Family**

V = Variable Speed  
Z = Leadership - Two Stage  
X = Leadership  
R = Replacement/Retail  
M or B = Basic  
A = Light Commercial  
L = Side Discharge

**Digit 5 – Family SEER**

3 = 13      7 = 17  
4 = 14      8 = 18  
5 = 15      9 = 19  
6 = 16      0 = 20

**Digits 6 – Split System Connections 1-6 Tons**

0 = Brazed

**Digits 7,8 – Nominal Capacity in 000s BTUs**

**Digit 9 – Major Design Modifications**

**Digit 10 – Power Supply**

1 = 200-230/1/60 or 208-230/1/60  
3 = 200-230/3/60  
4 = 460/3/60

**Digit 11,12,13 – Secondary Function**

**Digit 14 – Minor Design Modifications**

**Digit 15 – Unit Parts Identifier**

