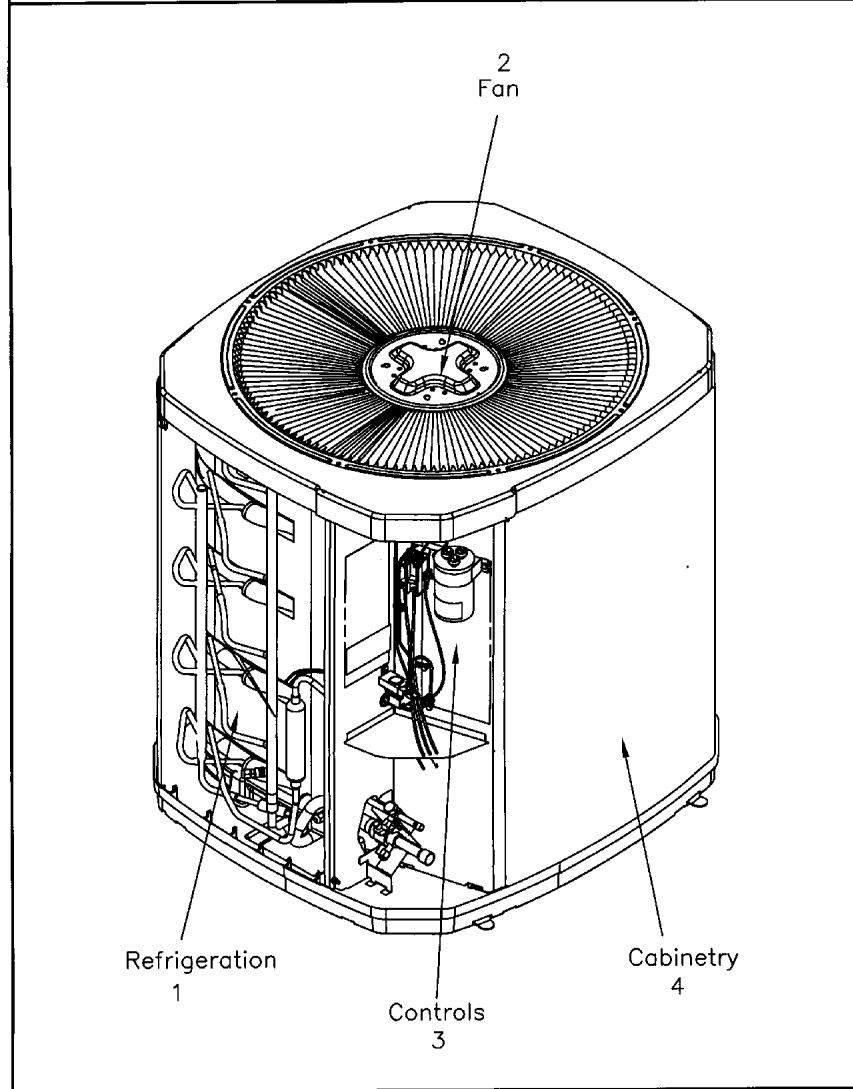


GENERAL ASSEMBLY

75005591

REV
A

Typical Illustration. Unit may not appear exactly as shown.



| Part No. | Reference No. | Quantity | Description |
|----------------------------|----------------------|-----------------|-----------------------------|
| 75005592#4A7A6UP2~S | * | | CABINTRY |
| 75005596#4A7A6UP2~S | * | | CONTROLS |
| 75006826#4A7A6UP2~S | * | | FAN |
| 75005591_4A7A6UP2_181341~P | * | | GENERAL ASSEMBLY PARTS LIST |
| 75005587#4A7A6UP2~S | * | | MODEL NOMENCLATURE |
| 75005580#4A7A6UP2~S | * | | REFRIGERATION |

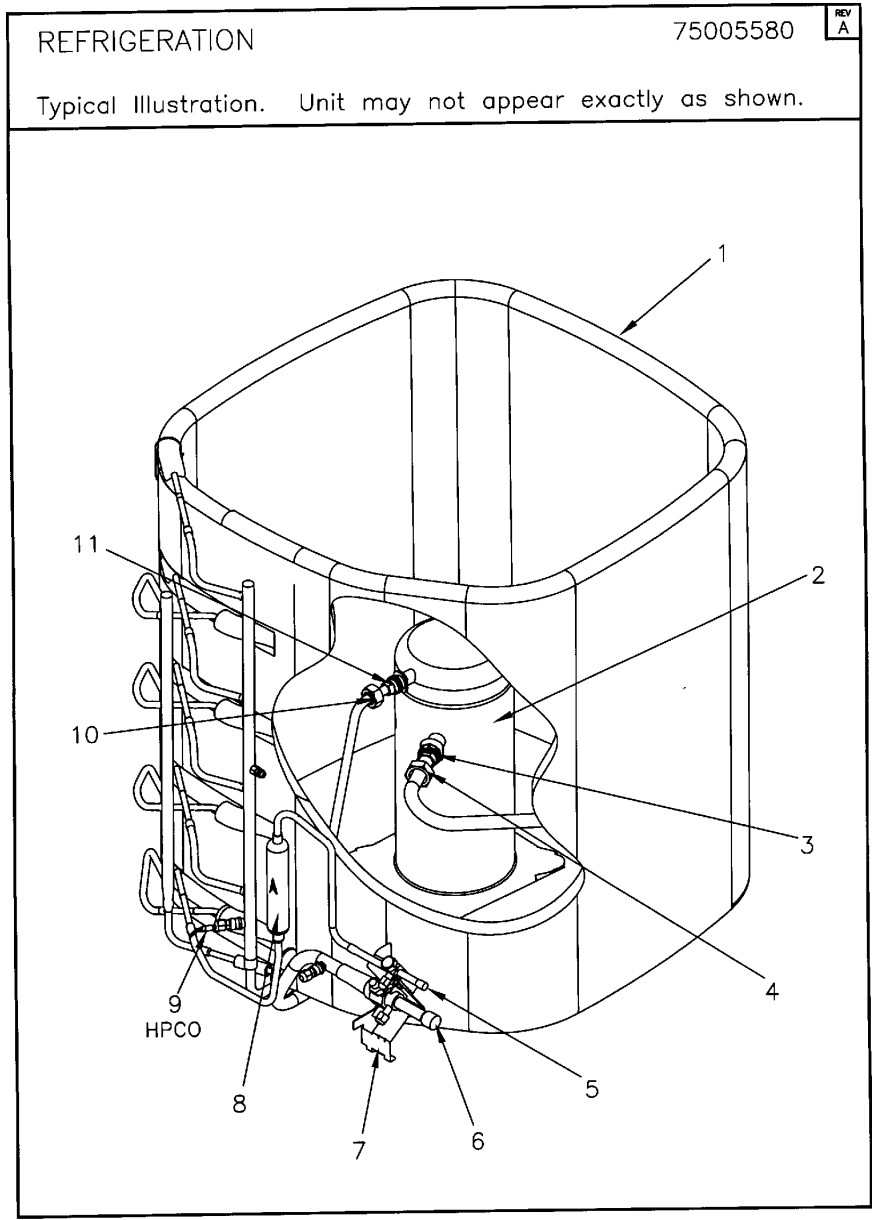
GENERAL ASSEMBLY

75005591

REV
A

Typical Illustration. Unit may not appear exactly as shown.

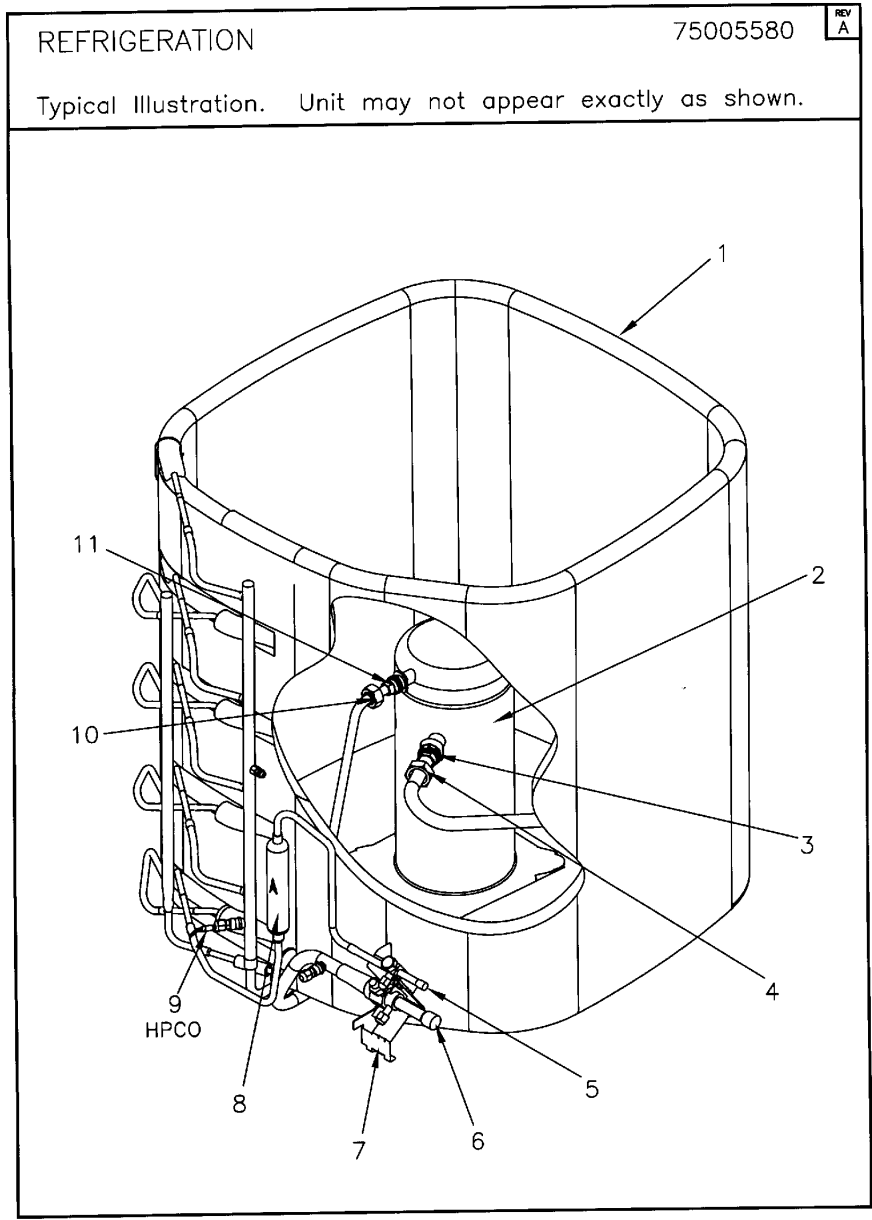




Parts List Number :75005591#4A7A6UP2

Model Number :4A7A6060B1000AA

| Part No. | Reference No. | Quantity | Description |
|----------------------------|---------------|----------|--------------------------|
| 75005580_4A7A6UP2_325838~P | * | | REFRIGERATION PARTS LIST |



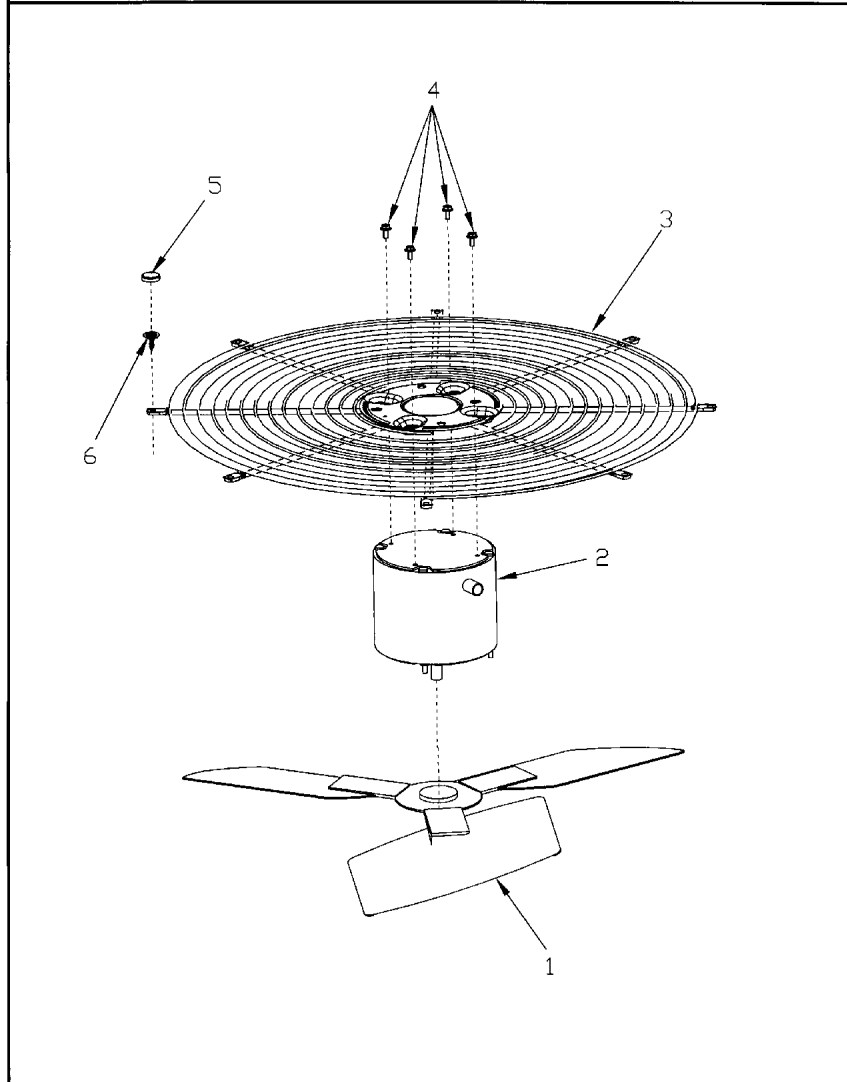
| Part No. | Reference No. | Quantity | Description |
|----------|---------------|----------|---|
| ATT00258 | * | 1 | ENCLOSURE; NOISE, SCROLL, 10.5 ID, 18.19 HEIGHT |
| CNT03961 | * | 1 | CONTROL; LOW PRESSURE, OPENS @ 50 DEGREES PSIG, CLOSES @ 70 PSIG |
| DHY00184 | * | 1 | DRIER; FILTER, SUCTION LINE, C30E, 7/8 ODF |
| HTR04943 | * | 1 | HEATER; SUMP, BELLY BAND, 70 WATT, 230V, 74 IN LENGTH |
| ISR00007 | * | 4 | ISOLATOR; VIBRATION |
| KIT01159 | * | 1 | KIT; ROTOLOCK COMPRESSOR TO BRAZED; 1.00-14 THREAD SIZE ; 1/2 IN TUBE SIZE |
| KIT01165 | * | 1 | KIT; ROTOLOCK COMPRESSOR TO BRAZED; 1.25-12 THREAD SIZE ; 7/8 IN TUBE SIZE |
| KIT08369 | * | 1 | KIT; CORE, (KIT CONTAINS COR00006 VALVE PORT AND COR00092 CORE BODY) |
| PLU00972 | * | 1 | PLUG; COMPRESSOR SOLENOID |
| SHD00378 | * | 1 | SHIELD; SALT, 43.75 X 8.00 |
| WIR03325 | * | 1 | WIRE, PLUG-SCROLL COMPRESSOR |
| COL11995 | 1 | 1 | COIL; SPINE FIN-5 SIDED |
| COM08457 | 2 | 1 | COMPRESSOR; TPA051A1RPZ, 4.2 TON, 208-230/60/1, 118 LRA, 26 RLA, 2 STEP, R410A, ROTOLOCK FITTINGS |
| SLV00184 | 3 | 1 | SLEEVE; 1/2" TUBE SIZE |
| NUT01000 | 4 | 1 | NUT; 1.00-14 UNS-2B THREAD SIZE (FOR 1/2" TUBE SIZE) |
| VAL07331 | 5 | 1 | VALVE, SERVICE LIQUID, .38 OD X .38 OD, VALVE ASSY, FEMALE BRAZE TO FEMALE BRAZE, LEFT HAND WITH MOUNTING HOLES |
| VAL07328 | 6 | 1 | VALVE, SERVICE GAS, .88 OD X .88 OD, BALL VALVE ASSY, BRASS, FEMALE BRAZE TO FEMALE BRAZE, LEFT HAND SERVICE PORT |
| BRK03020 | 7 | 1 | BRACKET; VALVE |
| DHY01089 | 8 | 1 | DRIER; FILTER/LIQUID LINE, 3/8 ODF, R-410A COMPATIBLE, 5 CU. IN.; 5.4 TON CAPACITY |
| SWT02182 | 9 | 1 | SWITCH; HIGH PRESSURE, SPST, OPEN @ 650 DEGREES PSIG, CLOSE @ 500 DEGREES PSIG |
| NUT00999 | 10 | 1 | NUT; 1.25-12 UNF-2B THREAD SIZE (FOR 3/4" OR 5/8" TUBE SIZE) |
| SLV00185 | 11 | 1 | SLEEVE; 3/4" TUBE SIZE |

FAN

75006826

REV
A

Typical Illustration. Unit may not appear exactly as shown.



Parts List Number :75005591#4A7A6UP2

Model Number :4A7A6060B1000AA

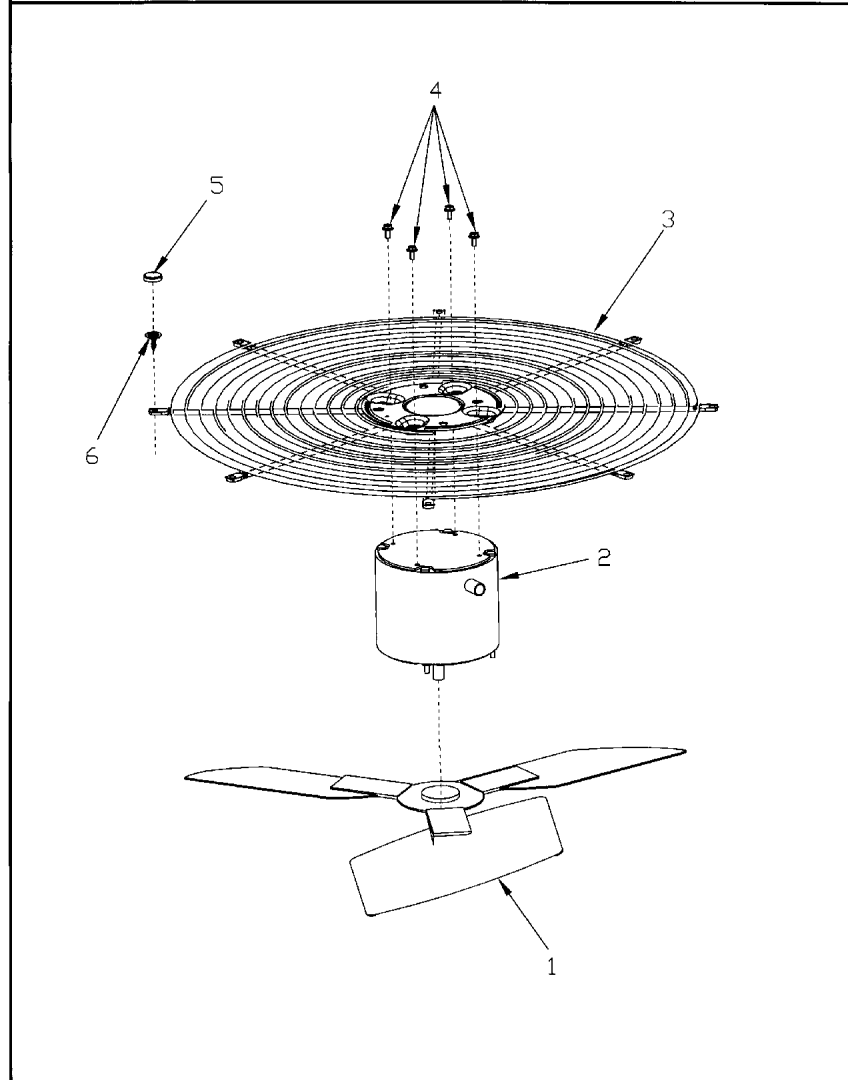
| Part No. | Reference No. | Quantity | Description |
|----------------------------|---------------|----------|----------------|
| 75006826_4A7A6UP2_319232~P | * | | FAN PARTS LIST |

FAN

75006826

REV
A

Typical Illustration. Unit may not appear exactly as shown.



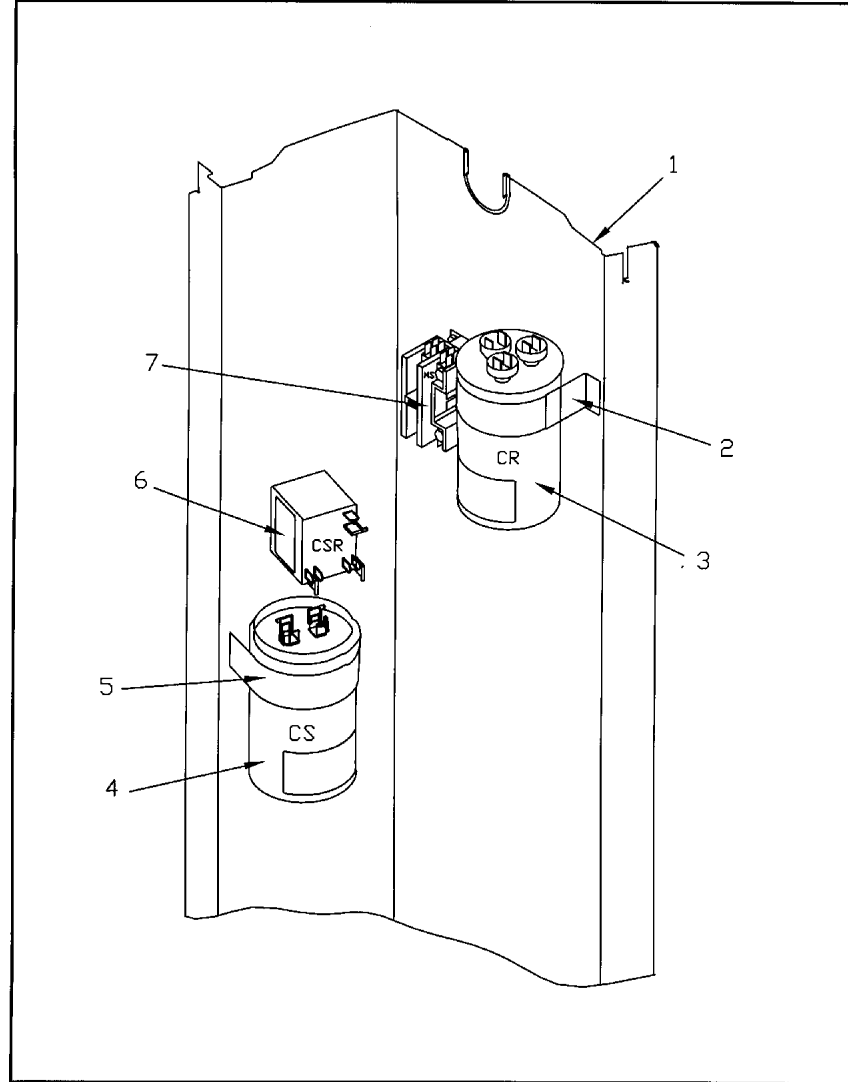
| Part No. | Reference No. | Quantity | Description |
|----------|---------------|----------|---|
| COV03250 | * | 1 | COVER; MOTOR, 6.86 DIA |
| MNT01431 | * | 8 | ISOLATOR; |
| PIN00868 | * | 8 | PIN; SNAP BACK |
| FAN03592 | 1 | 1 | FAN, 2 SWEPT BLADE, 27.6" DIA, 28 DEGREES PITCH, .50" BORE, CCW, ALUMINUM, 1 SET SCREW-STEEL, SPIDER .075 THK, FINISH/PAINT |
| MOT12005 | 2 | 1 | MOTOR, 1/3 HP, 200/230/60/1, 850 RPM, 48 FRAME, BALL BEARING, CCW |
| GRL01348 | 3 | 1 | GRILLE; FAN, 29 IN DIA, SPIRAL WIRE, BASALT GREY |
| NUT00845 | 4 | 4 | NUT; FLANGE NIBBED |
| CAP00913 | 5 | 8 | CAP; RETAINER |
| SCR01976 | 6 | 8 | SCREW; NUMBER 10 X 3/4 NO SLOT HWH T/S STEEL ZY .0002 THK BAKE TY AB GROUNDING EYELET |

CONTROLS

75005596

REV
A

Typical Illustration. Unit may not appear exactly as shown.



Parts List Number :75005591#4A7A6UP2

Model Number :4A7A6060B1000AA

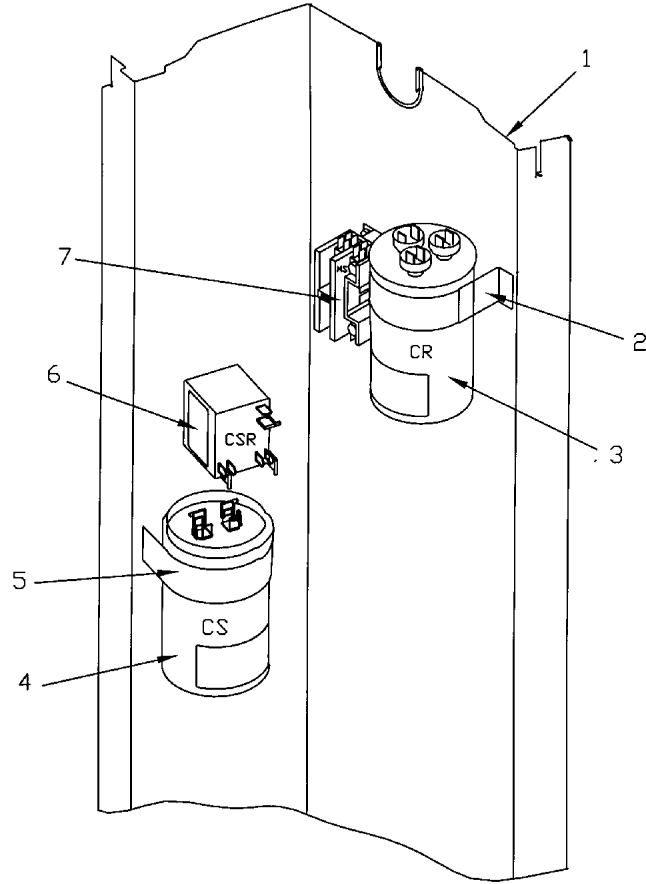
| Part No. | Reference No. | Quantity | Description |
|----------------------------|---------------|----------|---------------------|
| 75005596_4A7A6UP2_325839~P | * | | CONTROLS PARTS LIST |

CONTROLS

75005596

REV
A

Typical Illustration. Unit may not appear exactly as shown.



| Part No. | Reference No. | Quantity | Description |
|----------|---------------|----------|--|
| PLU00972 | * | 1 | PLUG; COMPRESSOR SOLENOID |
| RTF00058 | * | 1 | RECTIFIER; BRIDGE |
| SHD00386 | * | 1 | SHIELD; MOISTURE, 12.75 X 5.00 |
| SHD00387 | * | 1 | SHIELD; MOISTURE, 10.25 X 4.00 |
| TER00312 | * | 0 | TERMINAL; 8IN. TIE CABLE |
| THT02243 | * | 1 | THERMOSTAT, TERMINATOR, 240V, SPST, OPEN @ 105 DEGREE F, CLOSE @ 73 DEGREE F |
| TIE00025 | * | 0 | TIE; CABLE |
| WIR04272 | * | 1 | WIRE; HARNESS-CONTROL BOX |
| PNL13029 | 1 | 1 | PANEL, CONTROL PANEL BASE, 39.14 HEIGHT |
| SRP00093 | 2 | 1 | STRAP;CAPACITOR |
| CPT01074 | 3 | 1 | CAPACITOR; RUN, 440V, 80 MFD, ROUND, W/O RESISTOR |
| CPT00091 | 4 | 1 | CAPACITOR; START, 135-155 MFD, 330V, ROUND, W/ RESISTOR |
| SRP00096 | 5 | 1 | STRAP;CAPACITOR |
| RLY02711 | 6 | 1 | RELAY, START, SPST, 50A COIL, 153V PICK UP, 115V DROP OUT |
| CTR01028 | 7 | 1 | CONTACTOR; 2P, 40A 600V CONTACTS, 24 CV, 60HZ |



Parts List Number :75005591#4A7A6UP2

Model Number :4A7A6060B1000AA

| Part No. | Reference No. | Quantity | Description |
|----------------------------|---------------|----------|---------------------|
| 75005592_4A7A6UP2_319230~P | * | | CABINETY PARTS LIST |



| Part No. | Reference No. | Quantity | Description |
|----------|---------------|----------|--|
| BAS01868 | * | 1 | BASE, 43.80 X 43.81 DIAGONALLY |
| PAI00207 | * | 1 | PAINT; SPINNAKER GRAY (SHIPPING UOM 12 OZ HAZ) SPRAY CAN |
| PAI00248 | * | 1 | PAINT; 12 OZ SPRAY, ANTHRACITE GRAY (SHIPPING UOM 12 OZ HAZ) |
| PLT03590 | * | 1 | NAMEPLATE; AMERICAN STANDARD, RECTANGLE |
| PLT04075 | * | 1 | NAMEPLATE; ALLEGIANCE 16 |
| SCR02010 | * | 19 | SCREW; 12-18 AB HXW 1/2 SN |
| GRL01348 | 1 | 1 | GRILLE; FAN, 29 IN DIA, SPIRAL WIRE, BASALT GREY |
| COV03335 | 2 | 1 | COVER; TOP, 37.00 X 34.00 |
| PNL13208 | 3 | 1 | PANEL; WRAPPER, 23.22 X 37.33 |
| PNL13186 | 4 | 1 | PANEL; CORNER POST, 5.45 X 37.33 |
| PNL13208 | 5 | 1 | PANEL; WRAPPER, 23.22 X 37.33 |
| COV03252 | 6 | 1 | COVER; CONTROLS, 11.36 X 18.11 |
| COV03254 | 7 | 1 | COVER; CONTROL BOTTOM |
| COV03257 | 8 | 1 | COVER; VALVE, 11.36 X 19.42 |
| PNL13209 | 9 | 1 | PANEL; ACCESS, 19.88 X 36.65 |
| PNL13186 | 10 | 1 | PANEL; CORNER POST, 5.45 X 37.33 |
| PNL13207 | 11 | 1 | PANEL; WRAPPER, 27.12 X 37.33 |
| PNL13186 | 12 | 1 | PANEL; CORNER POST, 5.45 X 37.33 |

MODEL NUMBER DESCRIPTION

75005587

REL
C

OUTDOOR UNITS

Example Model Number:

4 A 7 A 0 0 3 6 A 1 0 0 0 A A
1 - - - 5 - - - 10 - - - 15

Digit 1 – Refrigerant Type

- 2 = R-22
- 4 = R-410A

Digit 2 – American Standard

Digit 3 – Product Type

- 6,W = Split Heat Pump
- 7,T = Split Cooling

Digit 4 – Product Family

- V = Variable Speed
- Z = Leadership - Two Stage
- X = Leadership
- R = Replacement/Retail
- M or B = Basic
- A = Light Commercial
- L = Side Discharge

Digit 5 – Family SEER

- 3 = 13 7 = 17
- 4 = 14 8 = 18
- 5 = 15 9 = 19
- 6 = 16 0 = 20

Digits 6 – Split System Connections 1-6 Tons

- 0 = Brazed

Digits 7,8 – Nominal Capacity in 000s BTUs

Digit 9 – Major Design Modifications

Digit 10 – Power Supply

- 1 = 200-230/1/60 or 208-230/1/60
- 3 = 200-230/3/60
- 4 = 460/3/60

Digit 11,12,13 – Secondary Function

Digit 14 – Minor Design Modifications

Digit 15 – Unit Parts Identifier

| Part No. | Reference No. | Quantity | Description |
|----------------------------|---------------|----------|-------------------------------|
| 75005587_4A7A6UP2_181343~P | * | | MODEL NOMENCLATURE PARTS LIST |

MODEL NUMBER DESCRIPTION

75005587

REL
C

OUTDOOR UNITS

Example Model Number:

4 A 7 A 0 0 3 6 A 1 0 0 0 A A
1 - - - 5 - - - 10 - - - 15

Digit 1 – Refrigerant Type

2 = R-22
4 = R-410A

Digit 2 – American Standard

Digit 3 – Product Type

6,W = Split Heat Pump
7,T = Split Cooling

Digit 4 – Product Family

V = Variable Speed
Z = Leadership - Two Stage
X = Leadership
R = Replacement/Retail
M or B = Basic
A = Light Commercial
L = Side Discharge

Digit 5 – Family SEER

3 = 13 7 = 17
4 = 14 8 = 18
5 = 15 9 = 19
6 = 16 0 = 20

Digits 6 – Split System Connections 1-6 Tons

0 = Brazed

Digits 7,8 – Nominal Capacity in 000s BTUs

Digit 9 – Major Design Modifications

Digit 10 – Power Supply

1 = 200-230/1/60 or 208-230/1/60
3 = 200-230/3/60
4 = 460/3/60

Digit 11,12,13 – Secondary Function

Digit 14 – Minor Design Modifications

Digit 15 – Unit Parts Identifier

