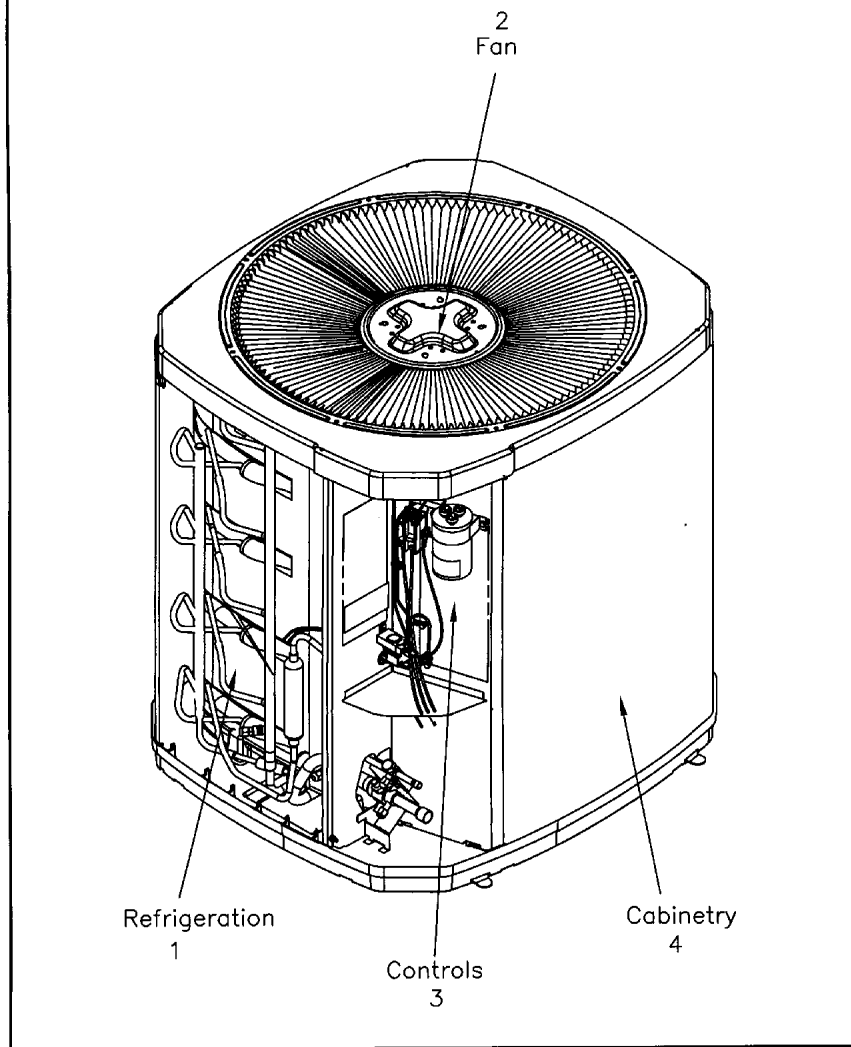


GENERAL ASSEMBLY

75005591

REV
A

Typical Illustration. Unit may not appear exactly as shown.



Part No.	Reference No.	Quantity	Description
75005592#4A7A6UP6~S	*		CABINTRY
75009896#4A7A6UP6~S	*		CONTROLS
75005593#4A7A6UP6~S	*		FAN
75005591_4A7A6UP6_209642~P	*		GENERAL ASSEMBLY PARTS LIST
75005587#4A7A6UP6~S	*		MODEL NOMENCLATURE
OPTIONS#4A7A6UP6~S	*		OPTIONAL FIELD INSTALLED ACCESSORIES
75009224#4A7A6UP6~S	*		REFRIGERATION

GENERAL ASSEMBLY

75005591

REV
A

Typical Illustration. Unit may not appear exactly as shown.



REFRIGERATION

75009224

REV
A

Typical Illustration. Unit may not appear exactly as shown.



Parts List Number :75005591#4A7A6UP6

Model Number :4A7A6048G1000AA

Part No.	Reference No.	Quantity	Description
75009224_4A7A6UP6_368158~P	*		REFRIGERATION PARTS LIST

REFRIGERATION

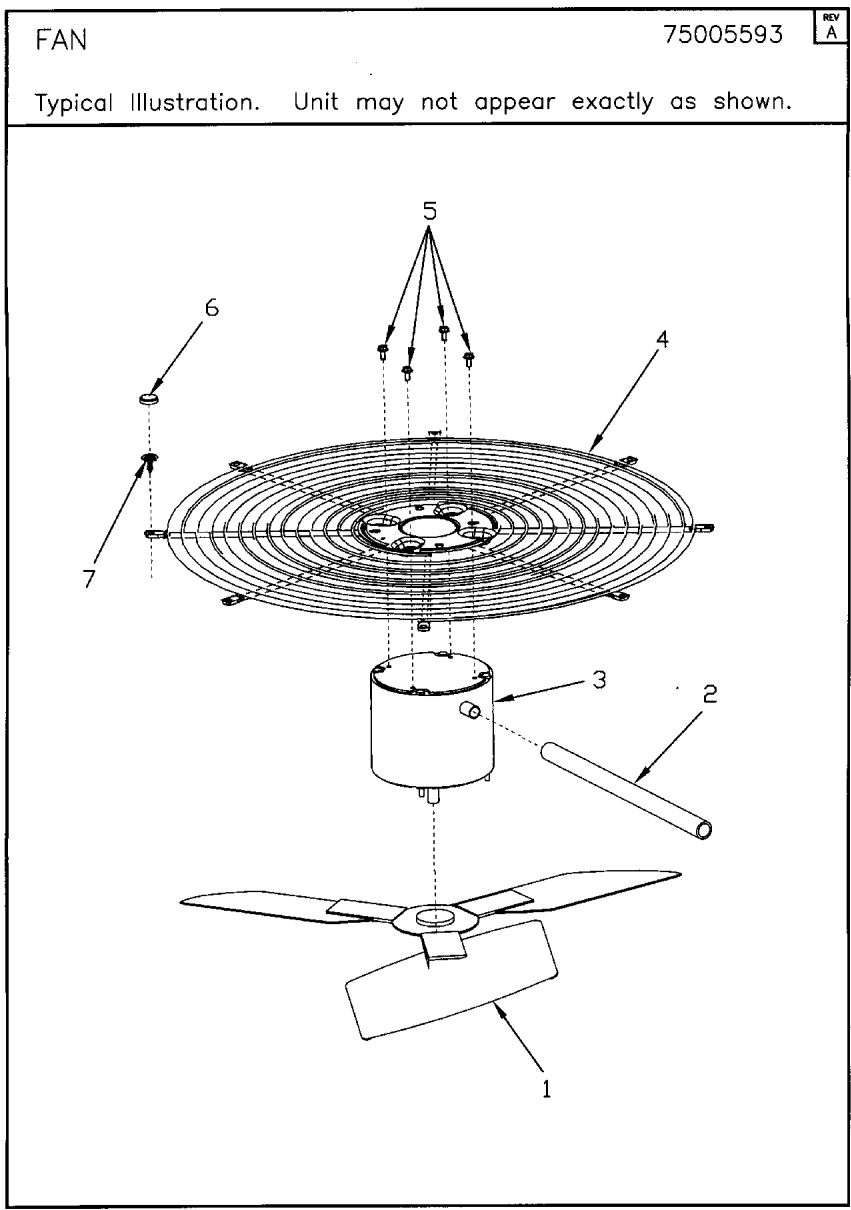
75009224

REV
A

Typical Illustration. Unit may not appear exactly as shown.



Part No.	Reference No.	Quantity	Description
BAR00178	*	1	BAR; STEEL, 3.70 X .75 DIA
CLP01072	*	2	CLIP; BULB (BLUE), 3/4 OD TUBE
DHY00184	*	1	DRIER; FILTER, SUCTION LINE, C30E, 7/8 ODF
ISR00007	*	4	ISOLATOR; VIBRATION
PLU01057	*	1	PLUG; COMPRESSOR SOLENOID, 2 LEADS, WHITE WIRES, 85 IN LENGTH
SCR01914	*	4	SCREW, ASSEMBLY COMPRESSOR, 5/16-12 TYPE B, W/WASHER & SLEEVE
SHD00423	*	1	SHIELD; SALT, 47.75 X 8.00
SPC00382	*	1	SPACER; ORIFICE
SPC00386	*	1	SPACER; BASE, 5.50 X 1.00 X 0.50
SWT03362	*	1	SWITCH; LOW PRESSURE, OPEN @ 50 PSIG CLOSE @ 70 PSIG
SWT03364	*	1	SWITCH, HIGH PRESSURE, SPST, OPEN @ 650 PSIG, CLOSE @ 500 PSIG, 110" LEAD
WIR04816	*	1	WIRE; PLUG-SCROLL COMPRESSOR
COL16500	1	1	COIL; SPINE FIN-5 SIDED
COM10284	2	1	COMPRESSOR; SCROLL, TXA040B1BPZ, 3.3 TON, 208-230/60/1, R410A, BRAZED-STUB TUBE
VAL09293	3	1	VALVE, SERVICE LIQUID, .38 OD X .38 OD, VALVE ASSY
VAL07328	4	1	VALVE, SERVICE GAS, .88 OD X .88 OD, BALL VALVE ASSY, BRASS, FEMALE BRAZE TO FEMALE BRAZE, LEFT HAND SERVICE PORT
BRK03020	5	1	BRACKET; VALVE
DHY01456	6	1	DRIER; LIQUID LINE; SERVICE FIRST; 5 CU. IN.; DCL054/3S, 1/2 ODF INLET X 3/8 ODF OUTLET; 5.4 TON CAPACITY; APPROVED FOR MINERAL OIL AND POE OIL REFRIG



Parts List Number :75005591#4A7A6UP6

Model Number :4A7A6048G1000AA

Part No.	Reference No.	Quantity	Description
75005593_4A7A6UP6_368157~P	*		FAN PARTS LIST



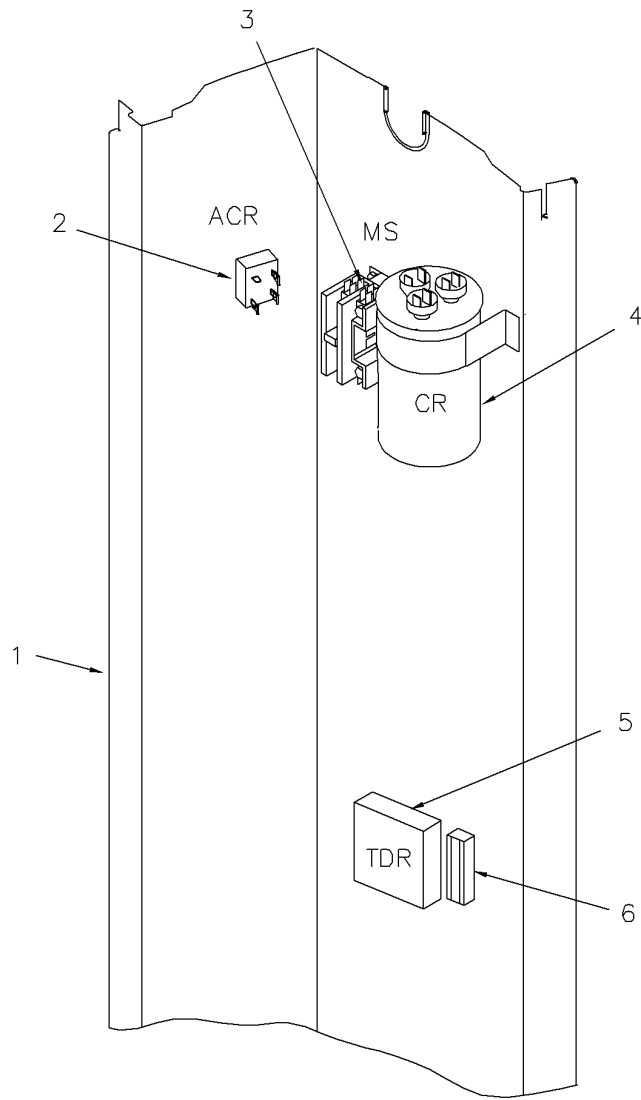
Part No.	Reference No.	Quantity	Description
COV03250	*	1	COVER; MOTOR, 6.86 DIA
FAN04460	1	1	FAN; 2 SWEEP BLADES, 27.5" DIA, 25.2 DEG PITCH, 0.50" BORE, CCW, ALUMINUM, 1 SET SCREW-STEEL, SPIDER 0.075 THK
GRD01416	2	1	GUARD, TROUGH-LEAD
MOT13693	3	1	MOTOR; 1/5 HP, 200/230/60/1, 825 RPM, 48 FRAME, PSC, BALL BEARING, CCW, 7.5 MFD CPT AT 370V
GRL01348	4	1	GRILLE; FAN, 29 IN DIA, SPIRAL WIRE, BASALT GREY
NUT00845	5	4	NUT; FLANGE NIBBED
CAP00913	6	8	CAP; RETAINER
SCR01976	7	8	SCREW; NUMBER 10 X 3/4 NO SLOT HWH T/S STEEL ZY .0002 THK BAKE TY AB GROUNDING EYELET

Controls

75009896

REV
A

Typical illustration. Unit may not appear exactly as shown.



CONTROLS

Parts List Number :75005591#4A7A6UP6

Model Number :4A7A6048G1000AA

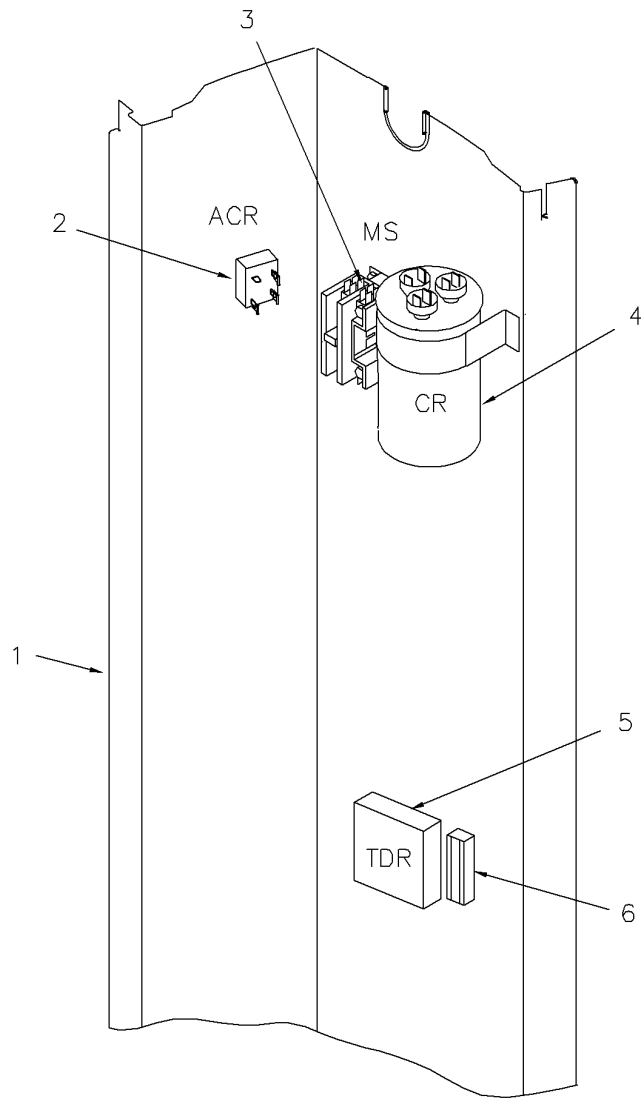
Part No.	Reference No.	Quantity	Description
75009896_4A7A6UP6_368159~P	*		CONTROLS PARTS LIST

Controls

75009896

REV
A

Typical illustration. Unit may not appear exactly as shown.



CONTROLS PARTS LIST

Parts List Number :75005591#4A7A6UP6

Model Number :4A7A6048G1000AA

Part No.	Reference No.	Quantity	Description
SHD00386	*	2	SHIELD; MOISTURE, 12.75 X 5.00
SHD00387	*	2	SHIELD; MOISTURE, 10.25 X 4.00
PNL25790	1	1	PANEL, CONTROL PANEL BASE, 39.14 HEIGHT
RTF00058	2	1	RECTIFIER; BRIDGE
CTR01038	3	1	CONTACTOR, 30 AMP, 240/277/480/600V, 24V COIL, 2 POLE
CPT00692	4	1	CAPACITOR; DUAL, 30/7.5 MFD, 440V, ROUND, W/O RESISTOR
RLY03345	5	1	RELAY; DELAY ON MAKE, 24V COIL, 1.5 A
RES01000	6	1	RESISTOR; 15W, 220 OHMS



Parts List Number :75005591#4A7A6UP6

Model Number :4A7A6048G1000AA

Part No.	Reference No.	Quantity	Description
75005592_4A7A6UP6_209644~P	*		CABINETY PARTS LIST



Part No.	Reference No.	Quantity	Description
BAS01834	*	1	BASE; 41.78 X 41.81 DIAGONALLY
PAI00074	*	1	PAINT; SPRAY, SLATE GREY, FULL GLOSS(88) (SHIPPING UOM 12 OZ HAZ)
PAI00207	*	1	PAINT; SPINNAKER GRAY (SHIPPING UOM 12 OZ HAZ) SPRAY CAN
PAI00248	*	1	PAINT; 12 OZ SPRAY, ANTHRACITE GRAY (SHIPPING UOM 12 OZ HAZ)
PLT04897	*	1	PLATE; BADGE AMERICAN STANDARD PLATINUM
SCR02010	*	19	SCREW; 12-18 AB HXW 1/2 SN
GRL01348	1	1	GRILLE; FAN, 29 IN DIA, SPIRAL WIRE, BASALT GREY
COV04462	2	1	COVER; TOP
PNL25664	3	1	PANEL; WRAPPER, 41.33 X 22.98
PNL26270	4	1	PANEL; CORNER POST, 3.5 x 41.3 INCHES
PNL25664	5	1	PANEL; WRAPPER, 41.33 X 22.98
COV04038	6	1	COVER; CONTROLS, 11 x 26 INCHES
COV03228	7	1	COVER, CONTROL BOTTOM
COV04041	8	1	COVER; VALVE, 11.32 x15.4 INCHES
PNL25665	9	1	PANEL; ACCESS, 40.65 X 19.79
PNL26270	10	1	PANEL; CORNER POST, 3.5 x 41.3 INCHES
PNL25663	11	1	PANEL; WRAPPER, 41.33 X 27.00
PNL26270	12	1	PANEL; CORNER POST, 3.5 x 41.3 INCHES

MODEL NUMBER DESCRIPTION

75005587

REL
C

OUTDOOR UNITS

Example Model Number:

4 A 7 A 0 0 3 6 A 1 0 0 0 A A
1 - - - 5 - - - 10 - - - 15

Digit 1 – Refrigerant Type

- 2 = R-22
- 4 = R-410A

Digit 2 – American Standard

Digit 3 – Product Type

- 6,W = Split Heat Pump
- 7,T = Split Cooling

Digit 4 – Product Family

- V = Variable Speed
- Z = Leadership - Two Stage
- X = Leadership
- R = Replacement/Retail
- M or B = Basic
- A = Light Commercial
- L = Side Discharge

Digit 5 – Family SEER

- 3 = 13 7 = 17
- 4 = 14 8 = 18
- 5 = 15 9 = 19
- 6 = 16 0 = 20

Digits 6 – Split System Connections 1-6 Tons

- 0 = Brazed

Digits 7,8 – Nominal Capacity in 000s BTUs

Digit 9 – Major Design Modifications

Digit 10 – Power Supply

- 1 = 200-230/1/60 or 208-230/1/60
- 3 = 200-230/3/60
- 4 = 460/3/60

Digit 11,12,13 – Secondary Function

Digit 14 – Minor Design Modifications

Digit 15 – Unit Parts Identifier

Part No.	Reference No.	Quantity	Description
75005587_4A7A6UP6_209643~P	*		MODEL NOMENCLATURE PARTS LIST

MODEL NUMBER DESCRIPTION

75005587

REL
C

OUTDOOR UNITS

Example Model Number:

4 A 7 A 0 0 3 6 A 1 0 0 0 A A
1 - - - 5 - - - 10 - - - 15

Digit 1 – Refrigerant Type

2 = R-22
4 = R-410A

Digit 2 – American Standard

Digit 3 – Product Type

6,W = Split Heat Pump
7,T = Split Cooling

Digit 4 – Product Family

V = Variable Speed
Z = Leadership - Two Stage
X = Leadership
R = Replacement/Retail
M or B = Basic
A = Light Commercial
L = Side Discharge

Digit 5 – Family SEER

3 = 13 7 = 17
4 = 14 8 = 18
5 = 15 9 = 19
6 = 16 0 = 20

Digits 6 – Split System Connections 1-6 Tons

0 = Brazed

Digits 7,8 – Nominal Capacity in 000s BTUs

Digit 9 – Major Design Modifications

Digit 10 – Power Supply

1 = 200-230/1/60 or 208-230/1/60
3 = 200-230/3/60
4 = 460/3/60

Digit 11,12,13 – Secondary Function

Digit 14 – Minor Design Modifications

Digit 15 – Unit Parts Identifier

Parts List Number :75005591#4A7A6UP6

Model Number :4A7A6048G1000AA

Part No.	Reference No.	Quantity	Description
OPTIONS_4A7A6UP6_209648~P	*		OPTIONAL FIELD INSTALLED ACCESSORIES PARTS LIST

NO GRAPHIC AVAILABLE

75013702

REV
A

**NO
GRAPHIC
AVAILABLE**

Parts List Number :75005591#4A7A6UP6

Model Number :4A7A6048G1000AA

Part No.	Reference No.	Quantity	Description
KIT07731	*	1	KIT; SNOW LEGS, CONTAINS (4) 6" MOUNTING LEGS (BAYLEGS002)
KIT07732	*	1	KIT; SNOW LEGS, (4" EXTENSION KIT) (BAYLEGS003)
KIT07908	*	1	KIT; START ASSEMBLY (BAYKSKT260)
KIT08164	*	1	KIT; SUMP HEATER, 208/230V, BELLYBAND STYLE FOR SCROLL COMPRESSORS (BAYCCHT301), 6.5/7.5 DIA, 74 IN LENGTH
KIT08409	*	1	KIT; VERTICAL AIR DISCHARGE (BAYVDTA004)
KIT09425	*	1	KIT; ISOLATOR (BAYISLT101) (CONTAINS A QTY OF 5 ISOLATORS)
KIT15190	*	1	KIT; EXTREME MOUNTING CONDITION (BAYECMT004).
PAI00309	*	1	PAINT; DARK BROWN, 12 OZ SPRAY CAN, HERESITE AIR DRY PHENOLIC COATING, VR-554T