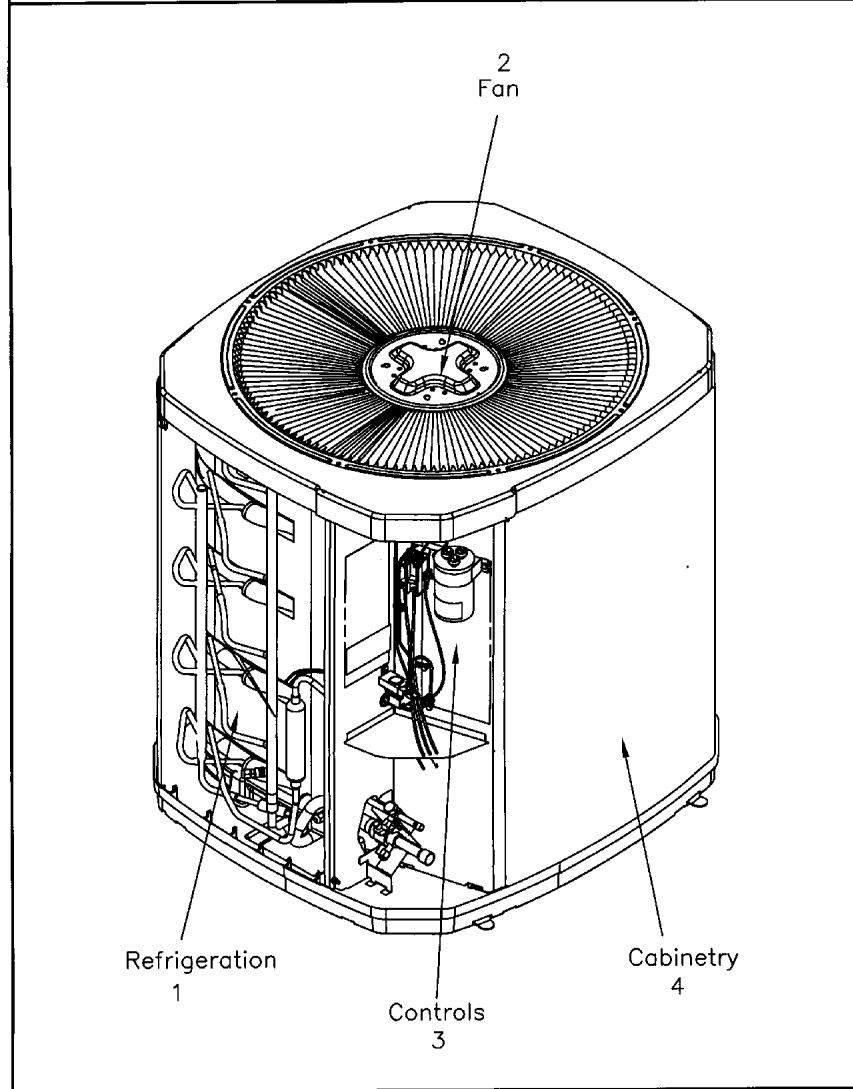


GENERAL ASSEMBLY

75005591

REV
A

Typical Illustration. Unit may not appear exactly as shown.



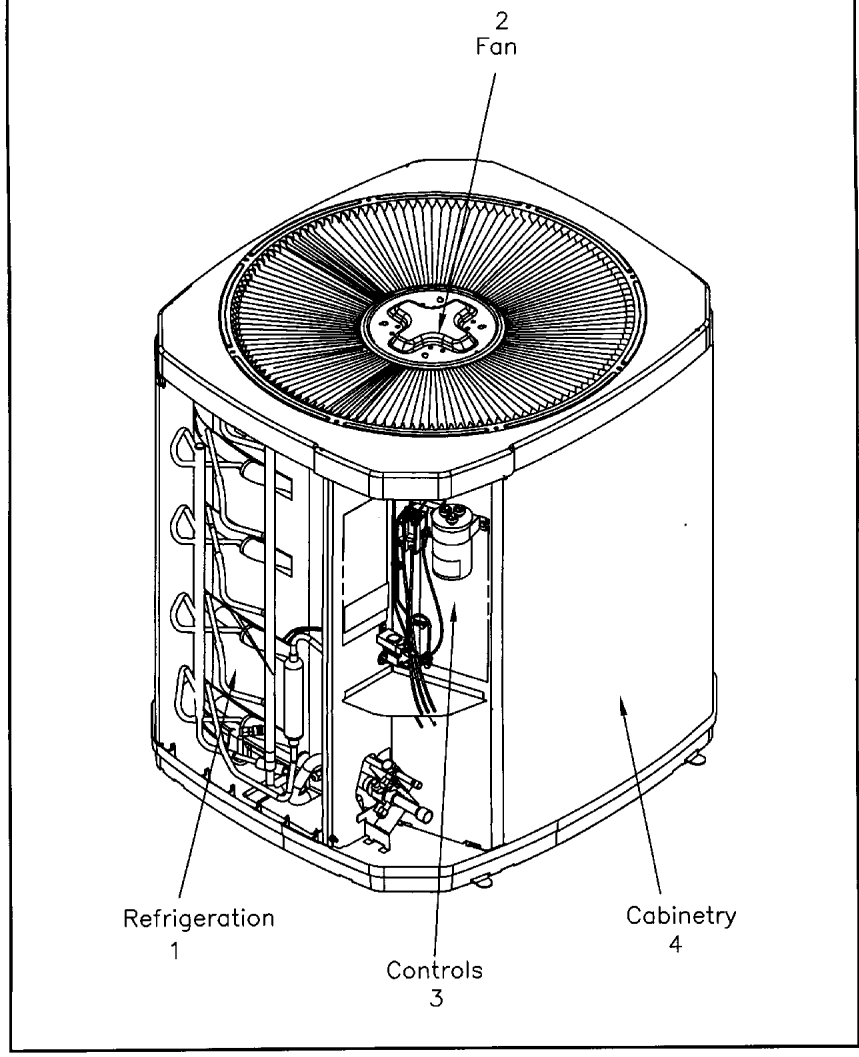
Part No.	Reference No.	Quantity	Description
75005592#4A7A6UP7~S	*		CABINTRY
75005597#4A7A6UP7~S	*		CONTROLS
75005593#4A7A6UP7~S	*		FAN
75005591_4A7A6UP7_197213~P	*		GENERAL ASSEMBLY PARTS LIST
75005587#4A7A6UP7~S	*		MODEL NUMBER DESCRIPTION
OPTIONS#4A7A6UP7~S	*		OPTIONAL FIELD INSTALLED ACCESSORIES
75009224#4A7A6UP7~S	*		REFRIGERATION

GENERAL ASSEMBLY

75005591

REV
A

Typical Illustration. Unit may not appear exactly as shown.

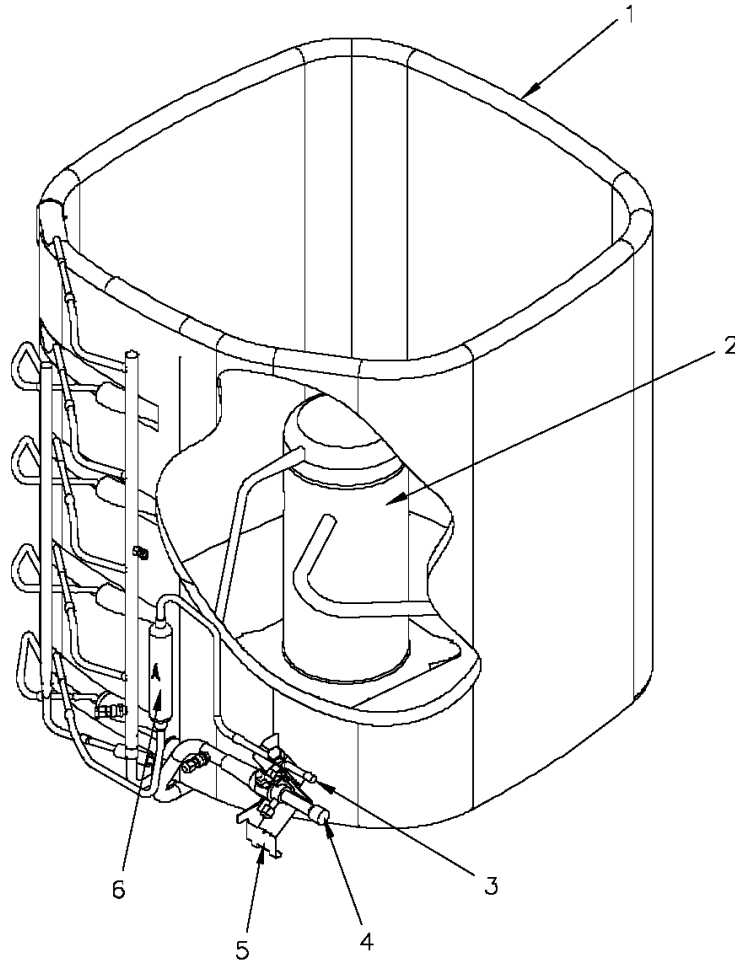


REFRIGERATION

75009224

REV
A

Typical Illustration. Unit may not appear exactly as shown.

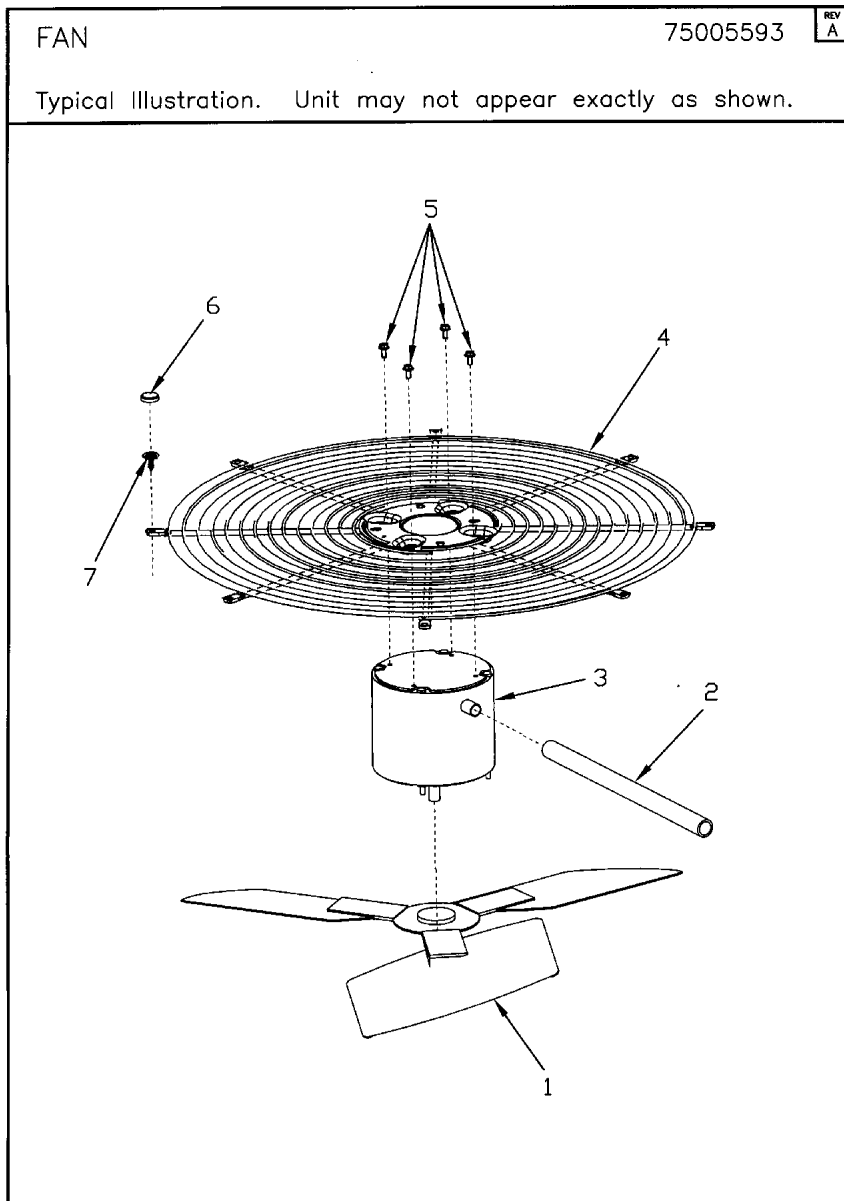


Parts List Number :75005591#4A7A6UP7

Model Number :4A7A6042H1000AA

Part No.	Reference No.	Quantity	Description
75009224_4A7A6UP7_283453~P	*		REFRIGERATION PARTS LIST

Part No.	Reference No.	Quantity	Description
ATT00503	*	1	ATTENUATOR; NOISE ENCLOSURE
ISR00007	*	4	ISOLATOR; VIBRATION
SWT03273	*	1	SWITCH, HIGH PRESSURE, SPST, OPEN @ 650 PSIG, CLOSE @ 500 PSIG, 88" YELLOW LEAD
SWT03374	*	1	SWITCH; LOW PRESSURE, OPEN @ 50 PSIG CLOSE @ 70 PSIG
WIR03325	*	1	WIRE, PLUG-SCROLL COMPRESSOR
COL15978	1	1	COIL; CONDENSER, SPINE FIN
COM10065	2	1	COMPRESSOR; SCROLL, SXA034B1BPZ, 2.8 TONS, 208/230/60/1, R410A, BRAZED-STUB TUBE, RED
VAL09293	3	1	VALVE, SERVICE LIQUID, .38 OD X .38 OD, VALVE ASSY
VAL07328	4	1	VALVE, SERVICE GAS, .88 OD X .88 OD, BALL VALVE ASSY, BRASS, FEMALE BRAZE TO FEMALE BRAZE, LEFT HAND SERVICE PORT
BRK03020	5	1	BRACKET; VALVE
DHY01456	6	1	DRIER; LIQUID LINE; SERVICE FIRST; 5 CU. IN.; DCL054/3S, 1/2 ODF INLET X 3/8 ODF OUTLET; 5.4 TON CAPACITY; APPROVED FOR MINERAL OIL AND POE OIL REFRIG



Parts List Number :75005591#4A7A6UP7

Model Number :4A7A6042H1000AA

Part No.	Reference No.	Quantity	Description
75005593_4A7A6UP7_208105~P	*		FAN PARTS LIST



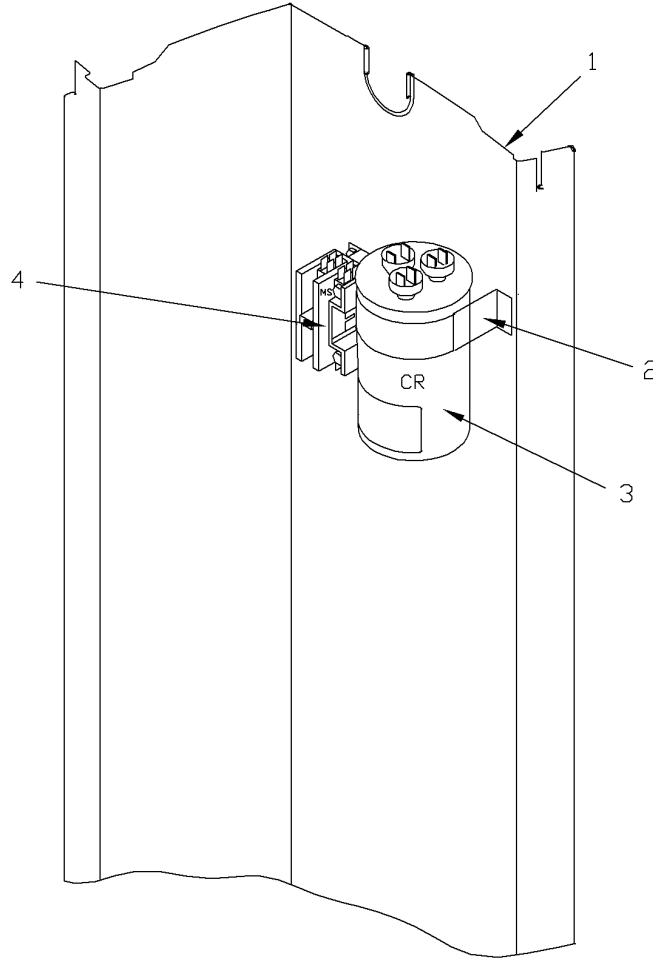
Part No.	Reference No.	Quantity	Description
COV03250	*	1	COVER; MOTOR, 6.86 DIA
PIN00868	*	8	PIN; SNAP BACK
FAN04460	1	1	FAN; 2 SWEEP BLADES, 27.5" DIA, 25.2 DEG PITCH, 0.50" BORE, CCW, ALUMINUM, 1 SET SCREW-STEEL, SPIDER 0.075 THK
GRD01416	2	1	GUARD, TROUGH-LEAD
MOT13693	3	1	MOTOR; 1/5 HP, 200/230/60/1, 825 RPM, 48 FRAME, PSC, BALL BEARING, CCW, 7.5 MFD CPT AT 370V
GRL01348	4	1	GRILLE; FAN, 29 IN DIA, SPIRAL WIRE, BASALT GREY
SCR02086	5	4	SCREW; 10-32 TR-3 HXW 3/8 S
CAP00913	6	8	CAP; RETAINER
SCR01976	7	8	SCREW; NUMBER 10 X 3/4 NO SLOT HWH T/S STEEL ZY .0002 THK BAKE TY AB GROUNDING EYELET

CONTROLS

75005597

REV
A

Typical Illustration. Unit may not appear exactly as shown.



Parts List Number :75005591#4A7A6UP7

Model Number :4A7A6042H1000AA

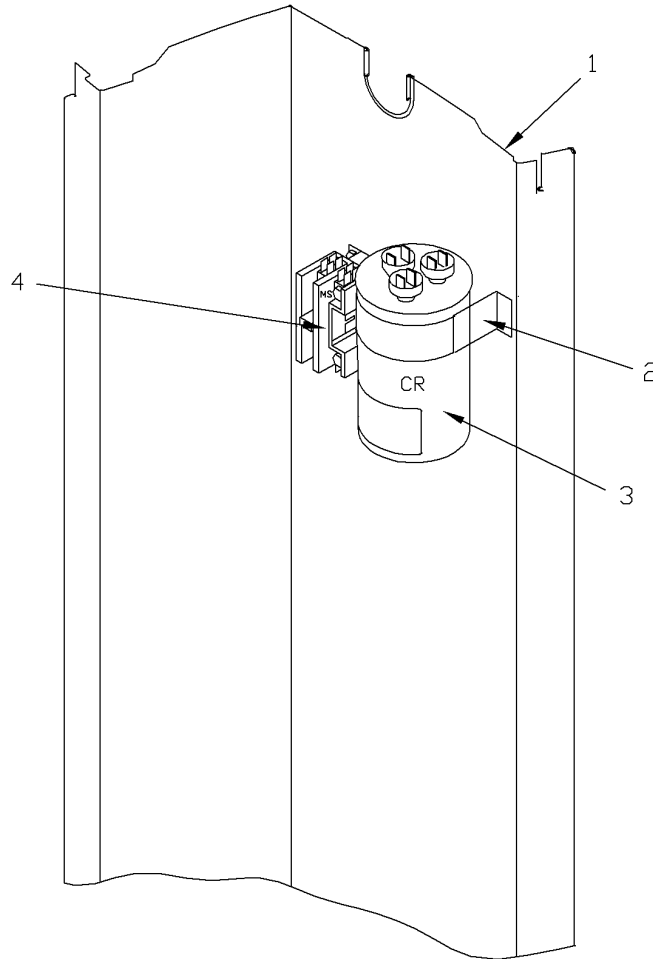
Part No.	Reference No.	Quantity	Description
75005597_4A7A6UP7_283452~P	*		CONTROLS PARTS LIST

CONTROLS

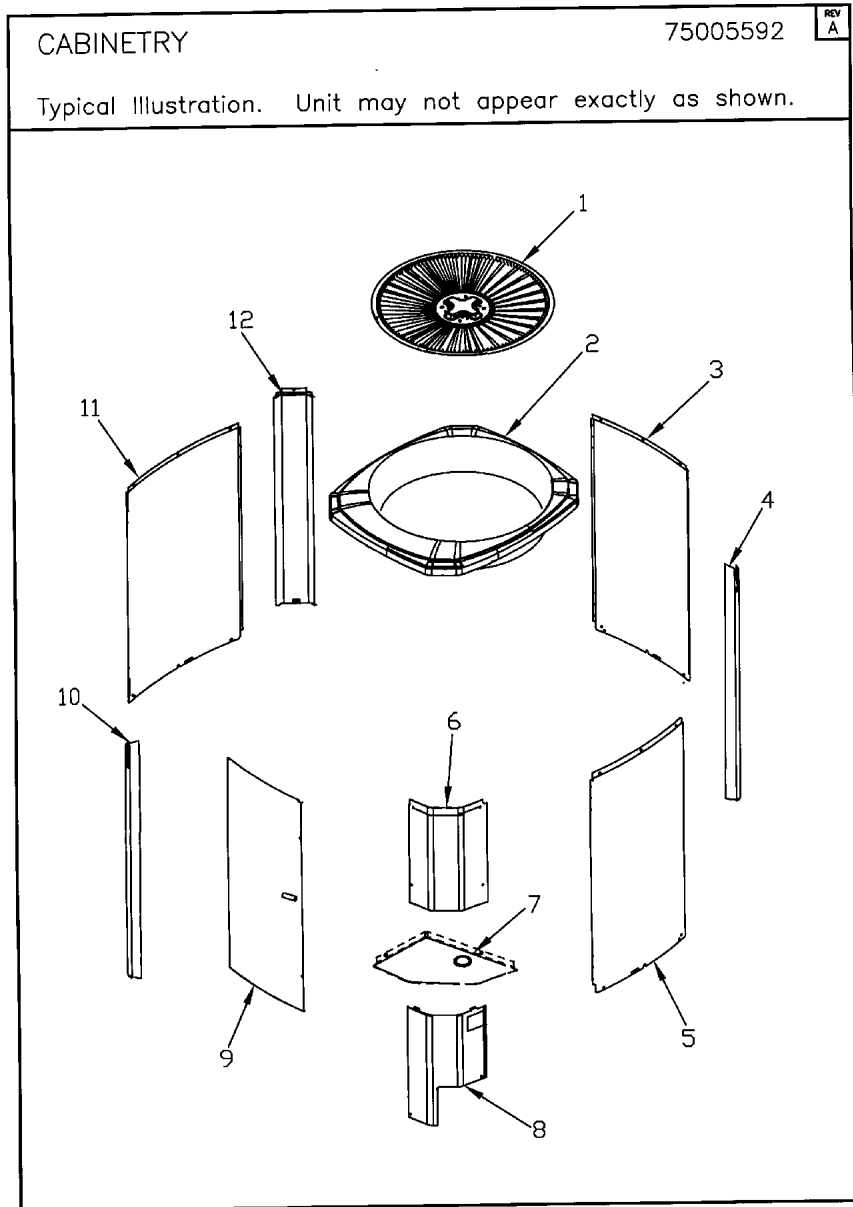
75005597

REV
A

Typical Illustration. Unit may not appear exactly as shown.



Part No.	Reference No.	Quantity	Description
PAI00248	*	1	PAINT; 12 OZ SPRAY, ANTHRACITE GRAY (SHIPPING UOM 12 OZ HAZ)
SHD00386	*	1	SHIELD; MOISTURE, 12.75 X 5.00
SHD00387	*	1	SHIELD; MOISTURE, 10.25 X 4.00
PNL13029	1	1	PANEL, CONTROL PANEL BASE, 39.14 HEIGHT
SRP00093	2	1	STRAP;CAPACITOR
CPT00669	3	1	CAPACITOR; DUAL, 45/7.5 MFD, 440V, ROUND, W/O RESISTOR
CTR00845	4	1	CONTACTOR; 30 AMP, 240/480/600V, 24V COIL, 1 POLE



Parts List Number :75005591#4A7A6UP7

Model Number :4A7A6042H1000AA

Part No.	Reference No.	Quantity	Description
75005592_4A7A6UP7_283451~P	*		CABINETY PARTS LIST



Part No.	Reference No.	Quantity	Description
BAS01834	*	1	BASE; 41.78 X 41.81 DIAGONALLY
PAI00207	*	1	PAINT; SPINNAKER GRAY (SHIPPING UOM 12 OZ HAZ) SPRAY CAN
SCR02010	*	19	SCREW; 12-18 AB HXW 1/2 SN
GRL01348	1	1	GRILLE; FAN, 29 IN DIA, SPIRAL WIRE, BASALT GREY
COV04035	2	1	COVER; TOP, 37.00 X 34.00
PNL13208	3	1	PANEL; WRAPPER, 23.22 X 37.33
PNL26269	4	1	PANEL; CORNER POST, 3.5 x 37.3 INCHES
PNL13208	5	1	PANEL; WRAPPER, 23.22 X 37.33
COV04037	6	1	COVER; CONTROLS, 11 x 18 INCHES
COV03228	7	1	COVER, CONTROL BOTTOM
COV04137	8	1	COVER; VALVE, 11.32 X 19.42
PNL13209	9	1	PANEL; ACCESS, 19.88 X 36.65
PNL26269	10	1	PANEL; CORNER POST, 3.5 x 37.3 INCHES
PNL13207	11	1	PANEL; WRAPPER, 27.12 X 37.33
PNL26269	12	1	PANEL; CORNER POST, 3.5 x 37.3 INCHES

MODEL NUMBER DESCRIPTION

75005587

REL
C

OUTDOOR UNITS

Example Model Number:

4 A 7 A 0 0 3 6 A 1 0 0 0 A A
1 - - - 5 - - - 10 - - - 15

Digit 1 – Refrigerant Type

2 = R-22
4 = R-410A

Digit 2 – American Standard

Digit 3 – Product Type

6,W = Split Heat Pump
7,T = Split Cooling

Digit 4 – Product Family

V = Variable Speed
Z = Leadership - Two Stage
X = Leadership
R = Replacement/Retail
M or B = Basic
A = Light Commercial
L = Side Discharge

Digit 5 – Family SEER

3 = 13 7 = 17
4 = 14 8 = 18
5 = 15 9 = 19
6 = 16 0 = 20

Digits 6 – Split System Connections 1-6 Tons

0 = Brazed

Digits 7,8 – Nominal Capacity in 000s BTUs

Digit 9 – Major Design Modifications

Digit 10 – Power Supply

1 = 200-230/1/60 or 208-230/1/60
3 = 200-230/3/60
4 = 460/3/60

Digit 11,12,13 – Secondary Function

Digit 14 – Minor Design Modifications

Digit 15 – Unit Parts Identifier

Part No.	Reference No.	Quantity	Description
75005587_4A7A6UP7_197214~P	*		MODEL NUMBER DESCRIPTION PARTS LIST

MODEL NUMBER DESCRIPTION

75005587

REL
C

OUTDOOR UNITS

Example Model Number:

4 A 7 A 0 0 3 6 A 1 0 0 0 A A
1 - - - 5 - - - 10 - - - 15

Digit 1 – Refrigerant Type

2 = R-22
4 = R-410A

Digit 2 – American Standard

Digit 3 – Product Type

6,W = Split Heat Pump
7,T = Split Cooling

Digit 4 – Product Family

V = Variable Speed
Z = Leadership - Two Stage
X = Leadership
R = Replacement/Retail
M or B = Basic
A = Light Commercial
L = Side Discharge

Digit 5 – Family SEER

3 = 13 7 = 17
4 = 14 8 = 18
5 = 15 9 = 19
6 = 16 0 = 20

Digits 6 – Split System Connections 1-6 Tons

0 = Brazed

Digits 7,8 – Nominal Capacity in 000s BTUs

Digit 9 – Major Design Modifications

Digit 10 – Power Supply

1 = 200-230/1/60 or 208-230/1/60
3 = 200-230/3/60
4 = 460/3/60

Digit 11,12,13 – Secondary Function

Digit 14 – Minor Design Modifications

Digit 15 – Unit Parts Identifier

Parts List Number :75005591#4A7A6UP7

Model Number :4A7A6042H1000AA

Part No.	Reference No.	Quantity	Description
OPTIONS_4A7A6UP7_208108~P	*		OPTIONAL FIELD INSTALLED ACCESSORIES PARTS LIST

NO GRAPHIC AVAILABLE

75013702

REV
A

**NO
GRAPHIC
AVAILABLE**

Parts List Number :75005591#4A7A6UP7

Model Number :4A7A6042H1000AA

Part No.	Reference No.	Quantity	Description
KIT05354	*	1	KIT; TIME DELAY (TAYASCT501A) - 5 MINUTE RELAY ONLY IS RLY01343
KIT07731	*	1	KIT; SNOW LEGS, CONTAINS (4) 6" MOUNTING LEGS (BAYLEGS002)
KIT07732	*	1	KIT; SNOW LEGS, (4" EXTENSION KIT) (BAYLEGS003)
KIT07908	*	1	KIT; START ASSEMBLY (BAYKSKT260)
KIT08036	*	1	KIT; SEA COAST (BAYSEAC001)
KIT08087	*	1	KIT; HEAD PRESSURE (BAYLOAM103)
KIT08164	*	1	KIT; SUMP HEATER, 208/230V, BELLYBAND STYLE FOR SCROLL COMPRESSORS (BAYCCHT301), 6.5/7.5 DIA, 74 IN LENGTH
KIT09425	*	1	KIT; ISOLATOR (BAYISLT101) (CONTAINS A QTY OF 5 ISOLATORS)
KIT15190	*	1	KIT; EXTREME MOUNTING CONDITION (BAYECMT004).
PAI00309	*	1	PAINT; DARK BROWN, 12 OZ SPRAY CAN, HERESITE AIR DRY PHENOLIC COATING, VR-554T