

<b>Part No.</b>	<b>Reference No.</b>	<b>Quantity</b>	<b>Description</b>
0000156173~S	*		CABINET
0000156172~S	*		CONTROLS
0000156171~S	*		FAN
0000156169~S	*		GENERAL ASSEMBLY
0000156174~S	*		MODEL NUMBER DESCRIPTION
0000156170~S	*		REFRIGERATION

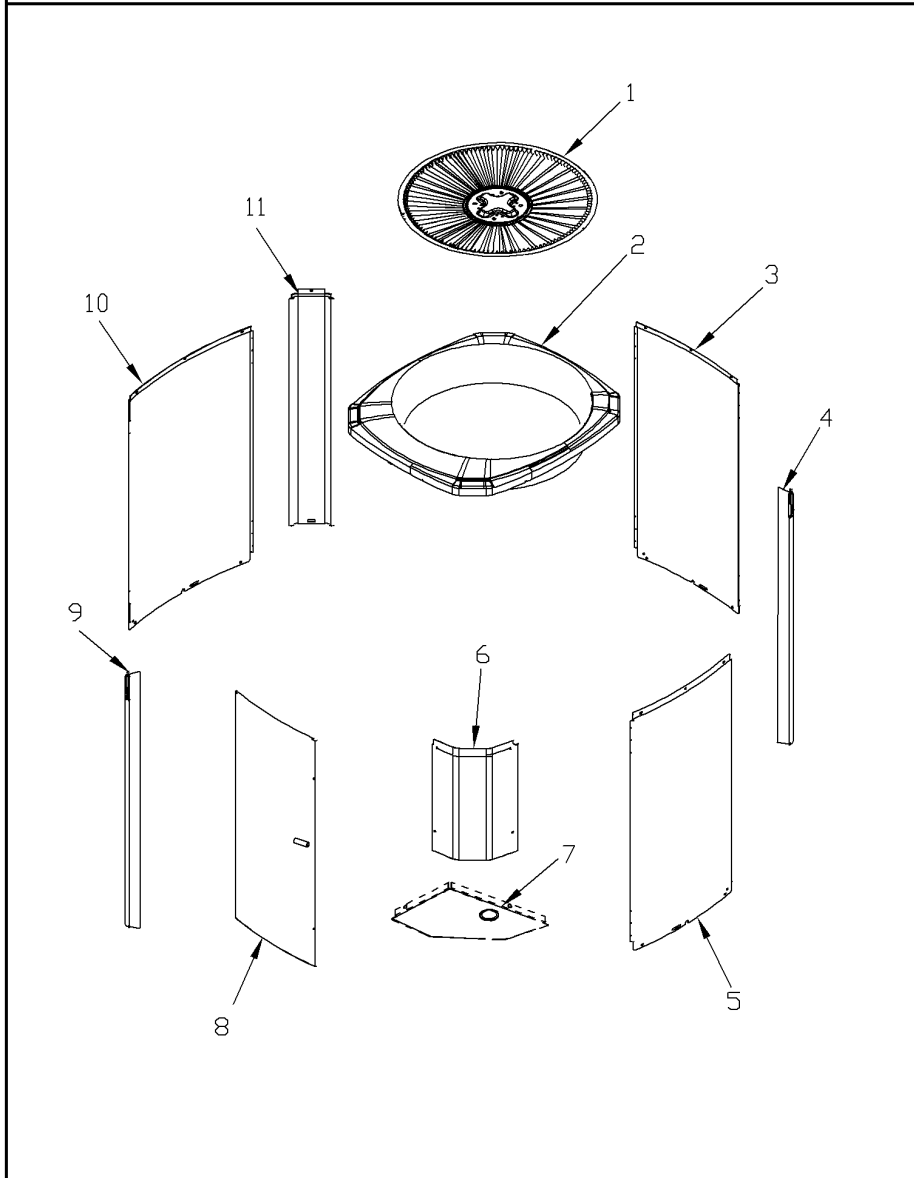
Part No.	Reference No.	Quantity	Description
0000032261~P	*		CABINET PARTS LIST

CABINETRY

75006805

REV  
A

Typical Illustration. Unit may not appear exactly as shown.

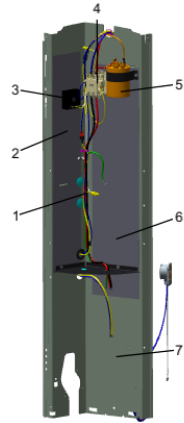


Part No.	Reference No.	Quantity	Description
BAS01834	*	1	BASE; 41.78 X 41.81 DIAGONALLY
PAI00074	*	0	PAINT; SPRAY, SLATE GREY, FULL GLOSS(88) (SHIPPING UOM 12 OZ HAZ)
PAI00207	*	0	PAINT; SPINNAKER GRAY (SHIPPING UOM 12 OZ HAZ) SPRAY CAN
SCR02010	*	19	SCREW; 12-18 AB HXW 1/2 SN
SCR02054	*	19	SCREW; 12-18 AB HXW 1/2 SN
COV04035	2	1	COVER; TOP, 37.00 X 34.00
PNL25663	3	1	PANEL; WRAPPER, 41.33 X 27.00
COV04038	6	1	COVER; CONTROLS, 11 x 26 INCHES
COV03228	7	1	COVER, CONTROL BOTTOM
PNL25665	8	1	PANEL; ACCESS, 40.65 X 19.79
PNL25664	10	2	PANEL; WRAPPER, 41.33 X 22.98
PNL26270	11	3	PANEL; CORNER POST, 3.5 x 41.3 INCHES

CONTROLS

Parts List Number :0000156154  
Model Number :4A7A6036N1000A

Part No.	Reference No.	Quantity	Description
0000032189~P	*		CONTROLS-COOLING



Part No.	Reference No.	Quantity	Description
CON00241	*	2	CONNECTOR; WIRE
PAI00246	*	0	PAINT; SPRAY, TARPAULIN GRAY (SHIPPING UOM 12 OZ HAZ)
PLU00984	*	1	PLUG; LOCKING HOLE
PNL25790	*	1	PANEL, CONTROL PANEL BASE, 39.14 HEIGHT
SCR01918		5	SCREW, 10-24 THREAD ROLL, INDENT HEX WASHER HD
SRP00093		1	STRAP;CAPACITOR
TER00312		2	TERMINAL; 8IN. TIE CABLE
THT03236		1	THERMOSTAT; HIGH TEMP
TIE00007		2	TIE;CABLE
WIR10568	1	1	WIRE; HARNESS-CONTROL PANEL
SHD00387	2	2	SHIELD; MOISTURE, 10.25 X 4.00
RLY03865	3	1	RELAY; DELAY ON
CTR00845	4	1	CONTACTOR; 30 AMP, 240/480/600V, 24V COIL, 1 POLE
CPT00668	5	1	CAPACITOR; DUAL, 440V, 40/5 MFD, ROUND, W/O RESISTOR
SHD00386	6	2	SHIELD; MOISTURE, 12.75 X 5.00

Part No.	Reference No.	Quantity	Description
0000032167~P	*		FAN PARTS LIST

FAN

75010673

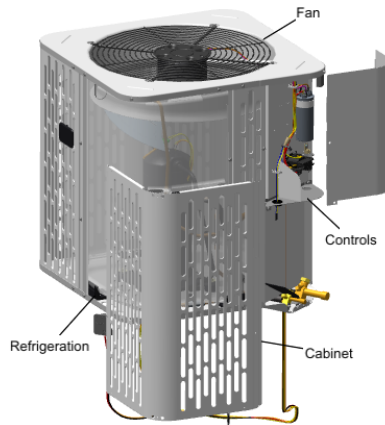
REV  
A

TYPICAL ILLUSTRATION



<b>Part No.</b>	<b>Reference No.</b>	<b>Quantity</b>	<b>Description</b>
FAN04321	1	1	FAN; 2 SWEPT BLADE, 27.5" DIA, 21 DEGREES PITCH, .50" BORE, CCW, ALUMINUM, 1 SET SCREW-STEEL
MOT17918	2	1	MOTOR; 1/8 HP, 200/230/60/1, 825 RPM, 48 FRAME, PSC, SLEEVE BEARING, CCW
SCR02086	4	4	SCREW; 10-32 TR-3 HXW 3/8 S
GRD01416	5	1	GUARD, TROUGH-LEAD

Part No.	Reference No.	Quantity	Description
0000004361~P	*		GENERAL ASSEMBLY GRAPHIC



Part No.	Reference No.	Quantity	Description
0000029224~P	*		MODEL NUMBER DESCRIPTION PARTS LIST

MODEL NUMBER DESCRIPTION

75005587

REL  
C

OUTDOOR UNITS

*Example Model Number:*

**4 A 7 A 0 0 3 6 A 1 0 0 0 A A**  
1 - - - 5 - - - 10 - - - 15

**Digit 1 – Refrigerant Type**

2 = R-22  
4 = R-410A

**Digit 2 – American Standard**

**Digit 3 – Product Type**

6,W = Split Heat Pump  
7,T = Split Cooling

**Digit 4 – Product Family**

V = Variable Speed  
Z = Leadership - Two Stage  
X = Leadership  
R = Replacement/Retail  
M or B = Basic  
A = Light Commercial  
L = Side Discharge

**Digit 5 – Family SEER**

3 = 13      7 = 17  
4 = 14      8 = 18  
5 = 15      9 = 19  
6 = 16      0 = 20

**Digits 6 – Split System Connections 1-6 Tons**

0 = Brazed

**Digits 7,8 – Nominal Capacity in 000s BTUs**

**Digit 9 – Major Design Modifications**

**Digit 10 – Power Supply**

1 = 200-230/1/60 or 208-230/1/60  
3 = 200-230/3/60  
4 = 460/3/60

**Digit 11,12,13 – Secondary Function**

**Digit 14 – Minor Design Modifications**

**Digit 15 – Unit Parts Identifier**

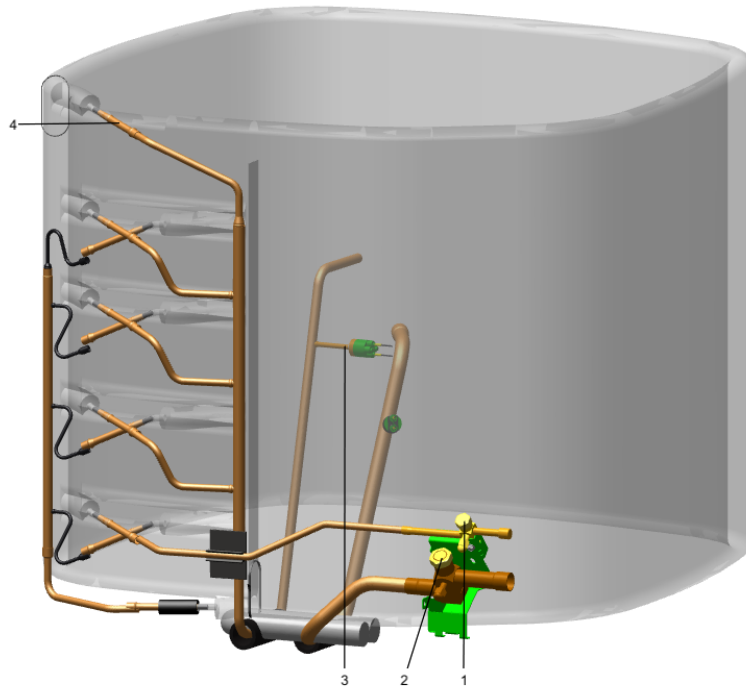
<b>Part No.</b>	<b>Reference No.</b>	<b>Quantity</b>	<b>Description</b>
0000032270~P	*		COMPRESSOR
0000032129~P	*		REFRIGERANT SYSTEM

COMPRESSOR

Parts List Number :0000156154

Model Number :4A7A6036N1000A

Part No.	Reference No.	Quantity	Description
COM13486	*	1	COMPRESSOR; SCROLL, MBA030C1CPA, 2.5 TON, 208/23/60/1



Part No.	Reference No.	Quantity	Description
BRK03020	*	1	BRACKET; VALVE
COL28470	*	0	COIL; CONDENSER, SPINE FIN
PAI00246	*	0	PAINT; SPRAY, TARPAULIN GRAY (SHIPPING UOM 12 OZ HAZ)
SCR02010	*	3	SCREW; 12-18 AB HXW 1/2 SN
SCR02054	*	3	SCREW; 12-18 AB HXW 1/2 SN
SLV00083	*	0	SLEEVE;
SWT03362	*	1	SWITCH; LOW PRESSURE, OPEN @ 50 PSIG CLOSE @ 70 PSIG
TUB02810	*	14	TUBE; TRANSITION
TUB11547	*	14	TUBE; TRANSITION ASSEMBLY
SLV00082		0	SLEEVE;
CAP01337	1	1	CAP; SERVICE SUCTION VALVE
CAP01336	2	1	CAP; SERVICE LIQUID VALVE, BRASS, 0.75 OD X 0.57 ID X 11/16-28UN-2B
SWT04578	3	1	SWITCH; HIGH PRESSURE BZ