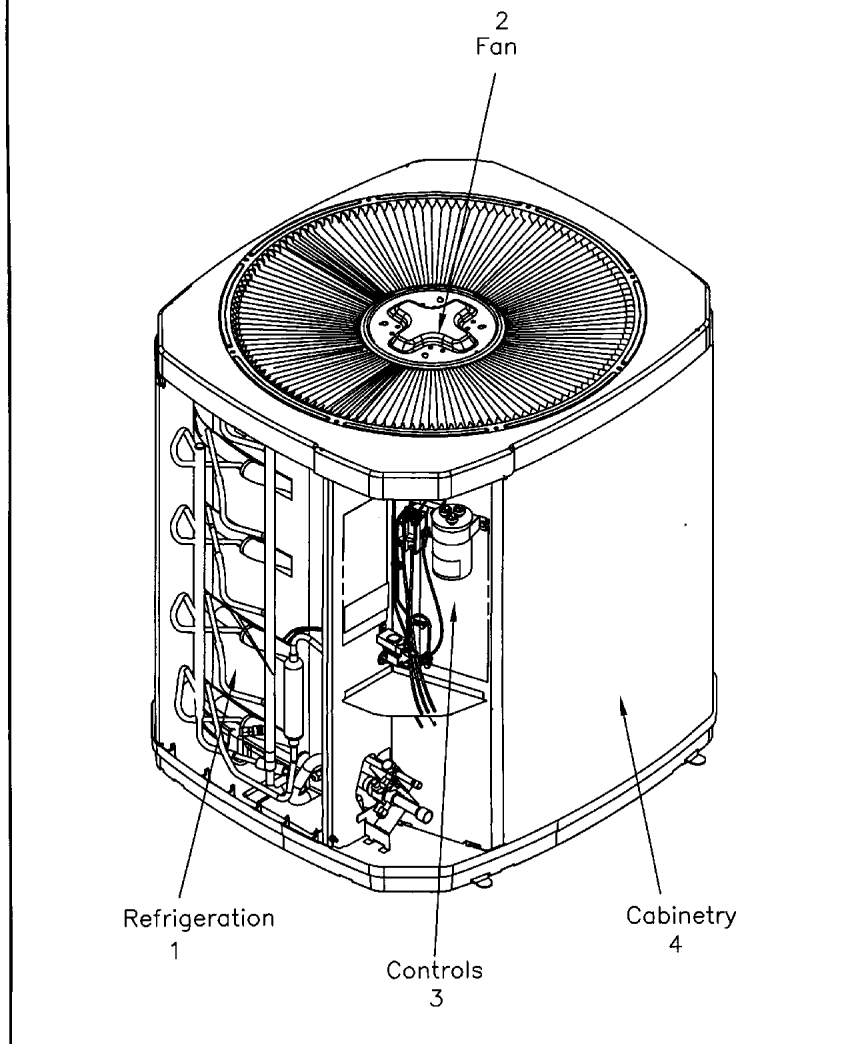


GENERAL ASSEMBLY

75005591

REV
A

Typical Illustration. Unit may not appear exactly as shown.



Part No.	Reference No.	Quantity	Description
75005592#4A7A6UP6~S	*		CABINTRY
75009896#4A7A6UP6~S	*		CONTROLS
75005593#4A7A6UP6~S	*		FAN
75005591_4A7A6UP6_209642~P	*		GENERAL ASSEMBLY PARTS LIST
75005587#4A7A6UP6~S	*		MODEL NOMENCLATURE
OPTIONS#4A7A6UP6~S	*		OPTIONAL FIELD INSTALLED ACCESSORIES
75009224#4A7A6UP6~S	*		REFRIGERATION

GENERAL ASSEMBLY

75005591

REV
A

Typical Illustration. Unit may not appear exactly as shown.

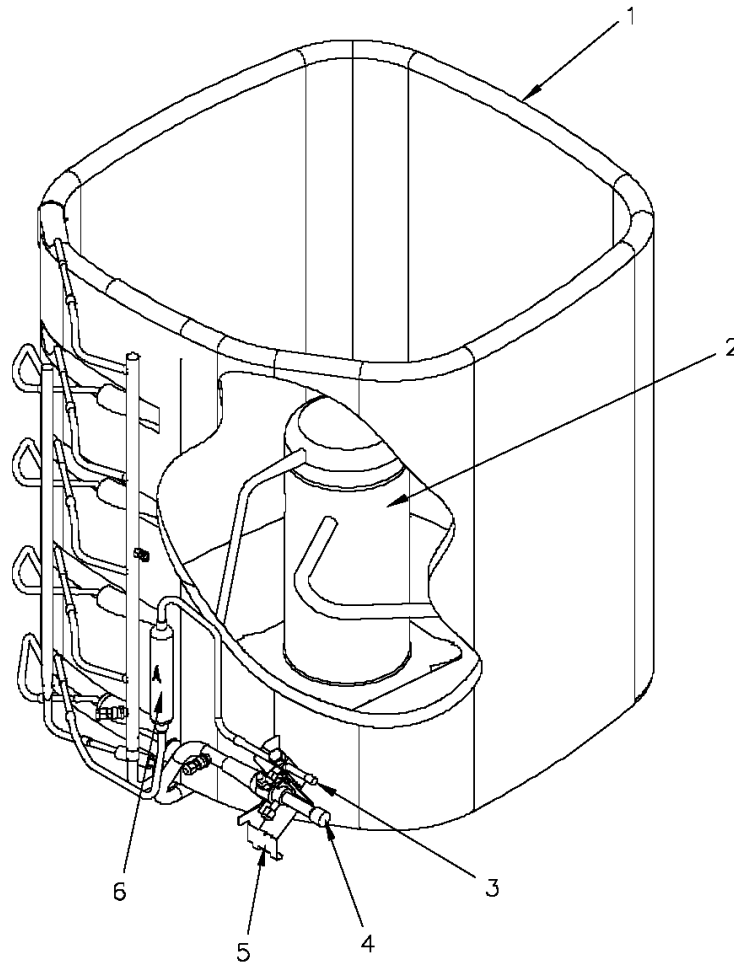


REFRIGERATION

75009224

REV
A

Typical Illustration. Unit may not appear exactly as shown.



Parts List Number :75005591#4A7A6UP6

Model Number :4A7A6024G1000AA

Part No.	Reference No.	Quantity	Description
75009224_4A7A6UP6_420344~P	*		REFRIGERATION PARTS LIST

REFRIGERATION

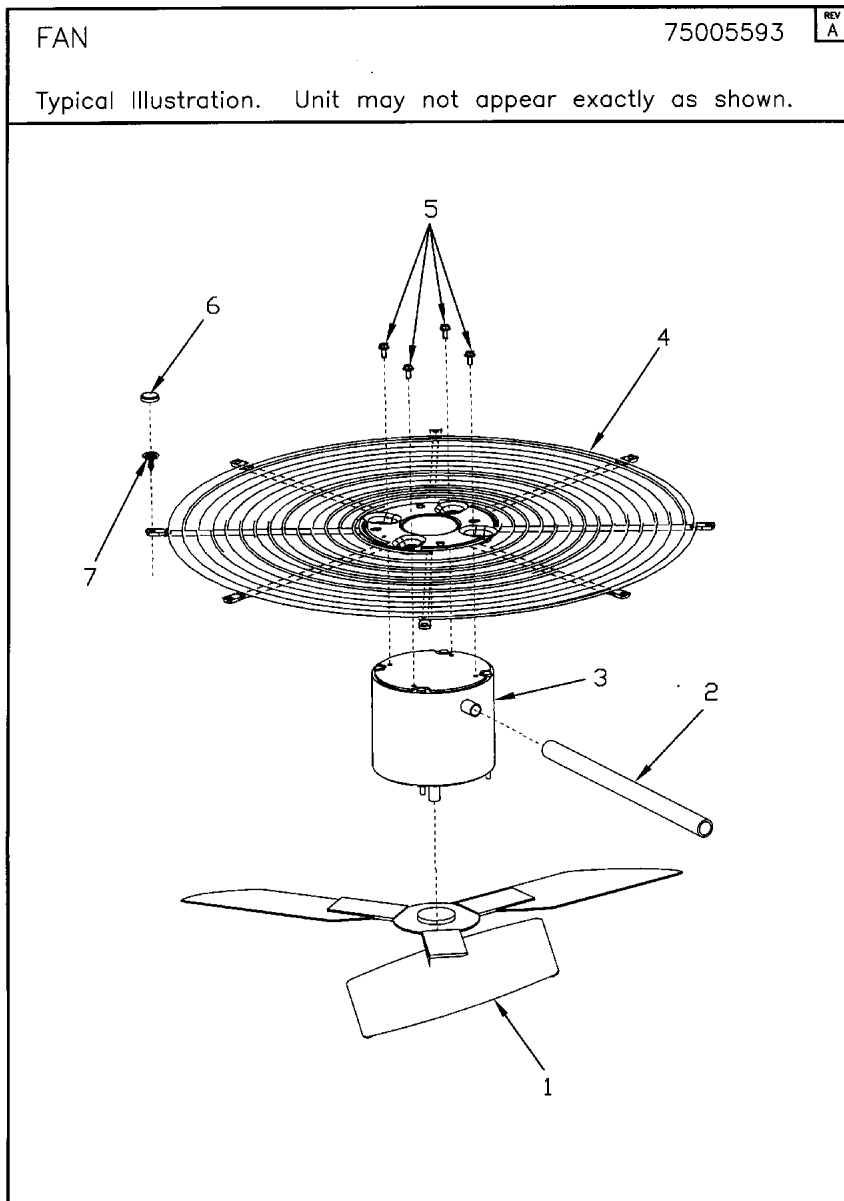
75009224

REV
A

Typical Illustration. Unit may not appear exactly as shown.



Part No.	Reference No.	Quantity	Description
DHY00190	*	1	DRIER; FILTER/SUCTION LINE, TYPE 30E7, 5/8IN. ODF CONN
ISR00007	*	4	ISOLATOR; VIBRATION
PLU00972	*	1	PLUG; COMPRESSOR SOLENOID
SCR01914	*	4	SCREW, ASSEMBLY COMPRESSOR, 5/16-12 TYPE B, W/WASHER & SLEEVE
SHD00378	*	1	SHIELD; SALT, 43.75 X 8.00
SPC00382	*	1	SPACER; ORIFICE
SPC00386	*	1	SPACER; BASE, 5.50 X 1.00 X 0.50
SWT03362	*	1	SWITCH; LOW PRESSURE, OPEN @ 50 PSIG CLOSE @ 70 PSIG
SWT03364	*	1	SWITCH, HIGH PRESSURE, SPST, OPEN @ 650 PSIG, CLOSE @ 500 PSIG, 110" LEAD
WIR03325	*	1	WIRE, PLUG-SCROLL COMPRESSOR
COL16436	1	1	COIL; SPINE FIN-5 SIDED
COM10353	2	1	COMPRESSOR; SCROLL, ALLIANCE, TXA020C1BPZ, 1.6 TONS, 208/230/60/1, R410A, 3/4 SUCTION, 1/2 DISCHARGE, BRAZED-STUB TUBE
VAL09302	3	1	VALVE, SERVICE LIQUID, .31 ODF X .38 ODF
VAL07326	4	1	VALVE, SERVICE GAS, .63 OD X .63 OD, BALL VALVE ASSY, BRASS, FEMALE BRAZE TO FEMALE BRAZE, LEFT HAND SERVICE PORT
BRK03020	5	1	BRACKET; VALVE
DHY01456	6	1	DRIER; LIQUID LINE; SERVICE FIRST; 5 CU. IN.; DCL054/3S, 1/2 ODF INLET X 3/8 ODF OUTLET; 5.4 TON CAPACITY; APPROVED FOR MINERAL OIL AND POE OIL REFRIG



Parts List Number :75005591#4A7A6UP6

Model Number :4A7A6024G1000AA

Part No.	Reference No.	Quantity	Description
75005593_4A7A6UP6_354253~P	*		FAN PARTS LIST



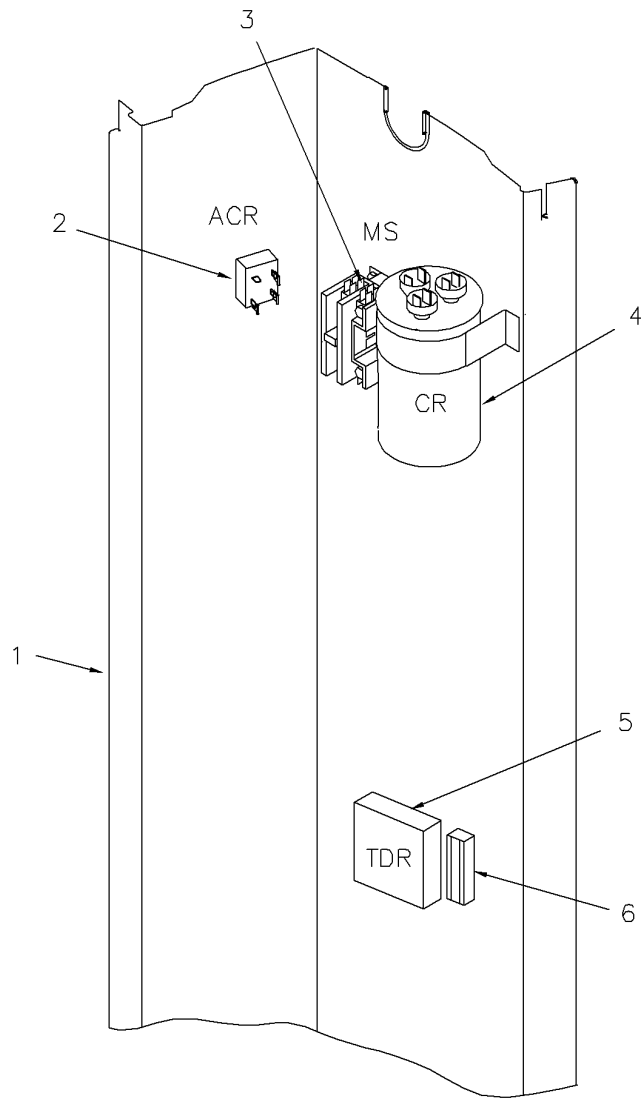
Part No.	Reference No.	Quantity	Description
COV03250	*	1	COVER; MOTOR, 6.86 DIA
FAN04231	1	1	FAN, 2 SWEPT BLADE, 27.5" DIA, 17 DEGREES PITCH, .50" BORE, CCW, ALUMINUM, 1 SET SCREW-STEEL, SPIDER .075 THK
GRD01416	2	1	GUARD, TROUGH-LEAD
MOT14328	3	1	MOTOR; 1/8 HP, 200/230/60/1, 825 RPM, 48 FRAME, PSC, SLEEVE BEARING, CCW, 5 MFD CPT @ 370V
GRL01348	4	1	GRILLE; FAN, 29 IN DIA, SPIRAL WIRE, BASALT GREY
SCR02086	5	4	SCREW; 10-32 TR-3 HXW 3/8 S
CAP00913	6	8	CAP; RETAINER
SCR01976	7	8	SCREW; NUMBER 10 X 3/4 NO SLOT HWH T/S STEEL ZY .0002 THK BAKE TY AB GROUNDING EYELET

Controls

75009896

REV
A

Typical illustration. Unit may not appear exactly as shown.



Parts List Number :75005591#4A7A6UP6

Model Number :4A7A6024G1000AA

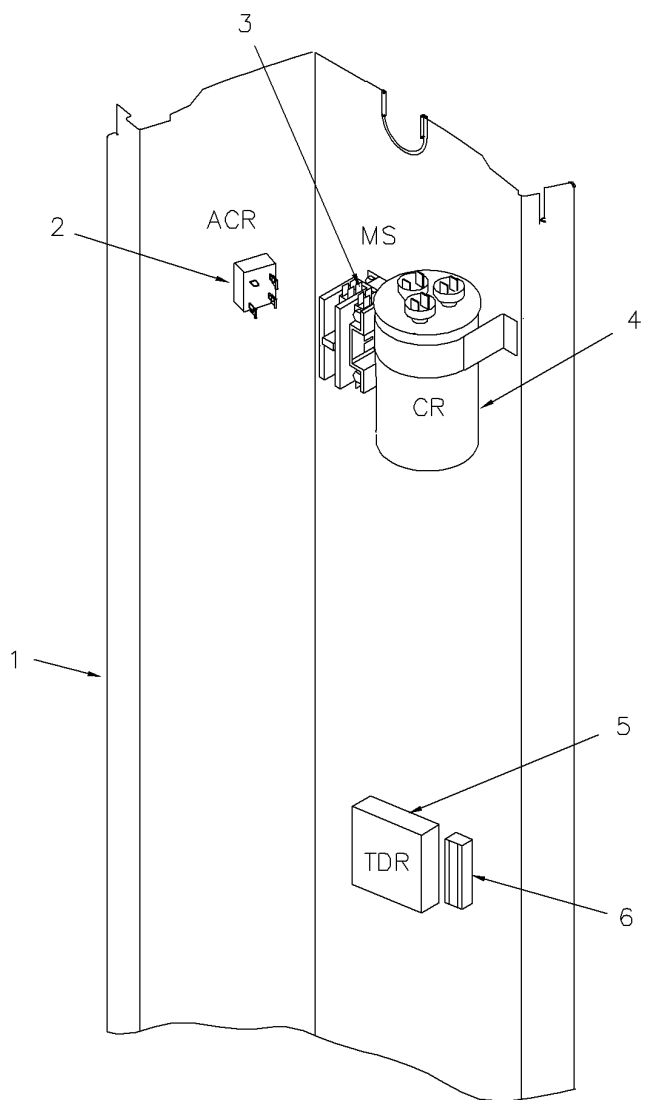
Part No.	Reference No.	Quantity	Description
75009896_4A7A6UP6_420345~P	*		CONTROLS PARTS LIST

Controls

75009896

REV
A

Typical illustration. Unit may not appear exactly as shown.

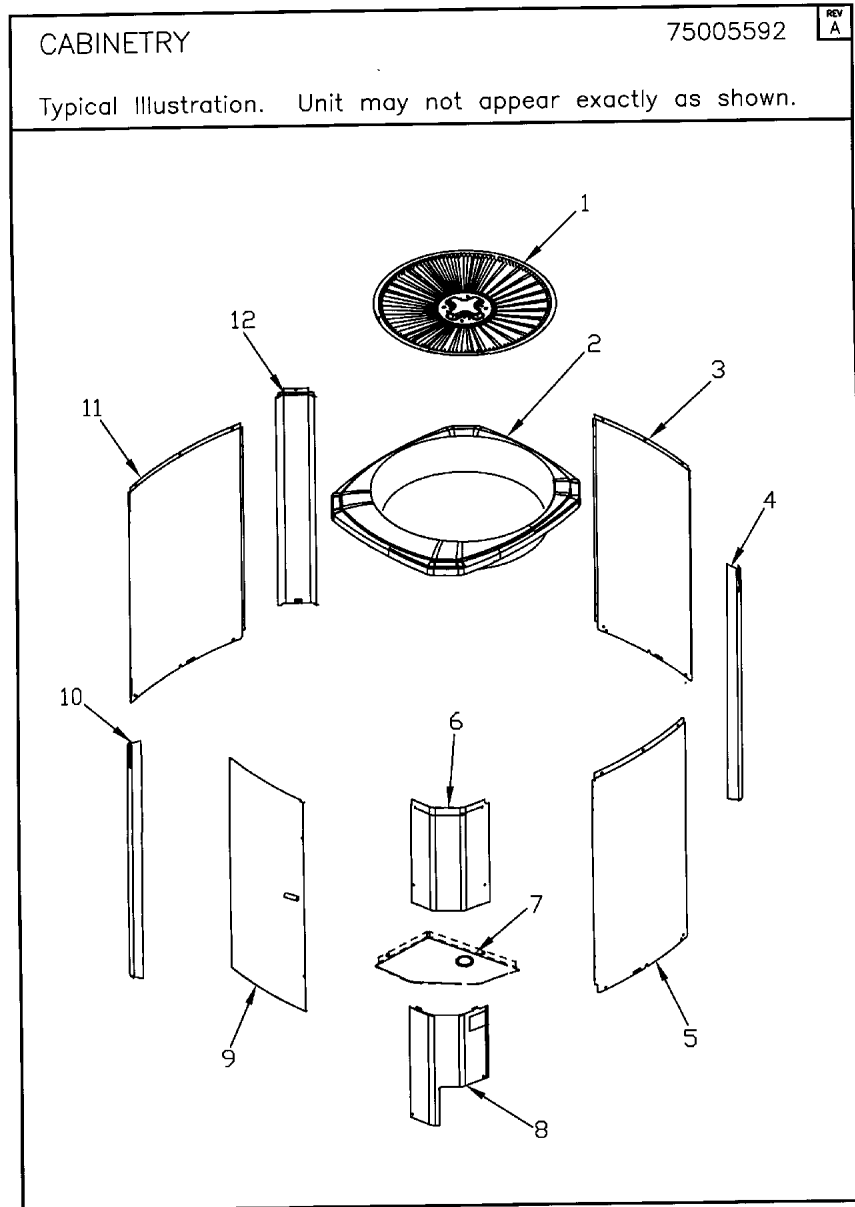


CONTROLS PARTS LIST

Parts List Number :75005591#4A7A6UP6

Model Number :4A7A6024G1000AA

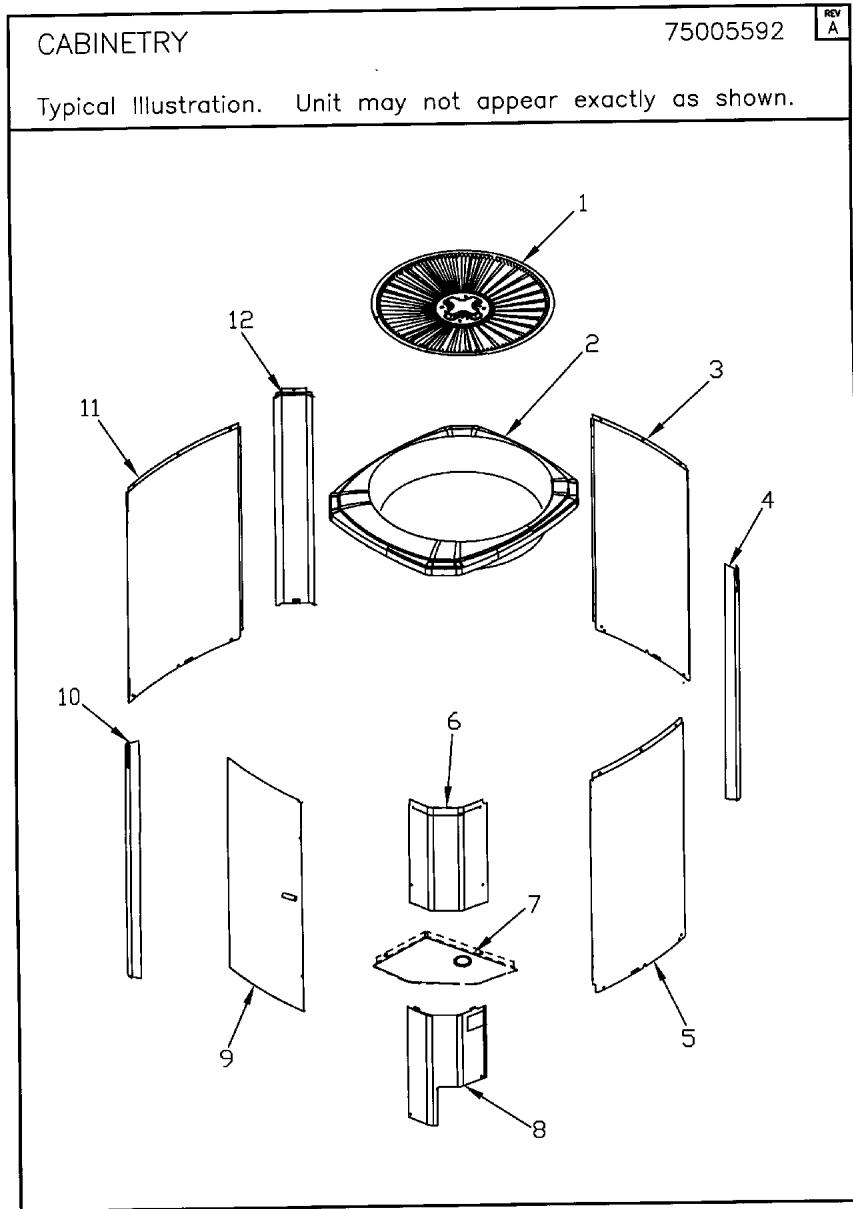
Part No.	Reference No.	Quantity	Description
SHD00386	*	2	SHIELD; MOISTURE, 12.75 X 5.00
SHD00387	*	2	SHIELD; MOISTURE, 10.25 X 4.00
PNL13029	1	1	PANEL, CONTROL PANEL BASE, 39.14 HEIGHT
RTF00058	2	1	RECTIFIER; BRIDGE
CTR00845	3	1	CONTACTOR; 30 AMP, 240/480/600V, 24V COIL, 1 POLE
CPT00977	4	1	CAPACITOR; DUAL, 35/5 MFD, 440V, ROUND, W/O RESISTOR
RLY03345	5	1	RELAY; DELAY ON MAKE, 24V COIL, 1.5 A
RES01000	6	1	RESISTOR; 15W, 220 OHMS



Parts List Number :75005591#4A7A6UP6

Model Number :4A7A6024G1000AA

Part No.	Reference No.	Quantity	Description
75005592_4A7A6UP6_354252~P	*		CABINETY PARTS LIST



Part No.	Reference No.	Quantity	Description
BAS01834	*	1	BASE; 41.78 X 41.81 DIAGONALLY
PAI00074	*	1	PAINT; SPRAY, SLATE GREY, FULL GLOSS(88) (SHIPPING UOM 12 OZ HAZ)
PAI00207	*	1	PAINT; SPINNAKER GRAY (SHIPPING UOM 12 OZ HAZ) SPRAY CAN
PAI00248	*	1	PAINT; 12 OZ SPRAY, ANTHRACITE GRAY (SHIPPING UOM 12 OZ HAZ)
PLT04897	*	1	PLATE; BADGE AMERICAN STANDARD PLATINUM
SCR02010	*	21	SCREW; 12-18 AB HXW 1/2 SN
GRL01348	1	1	GRILLE; FAN, 29 IN DIA, SPIRAL WIRE, BASALT GREY
COV04462	2	1	COVER; TOP
PNL13208	3	1	PANEL; WRAPPER, 23.22 X 37.33
PNL26269	4	1	PANEL; CORNER POST, 3.5 x 37.3 INCHES
PNL13208	5	1	PANEL; WRAPPER, 23.22 X 37.33
COV04038	6	1	COVER; CONTROLS, 11 x 26 INCHES
COV03228	7	1	COVER, CONTROL BOTTOM
COV04040	8	1	COVER; VALVE, 11.32 x11.4 INCHES
PNL13209	9	1	PANEL; ACCESS, 19.88 X 36.65
PNL26269	10	1	PANEL; CORNER POST, 3.5 x 37.3 INCHES
PNL13207	11	1	PANEL; WRAPPER, 27.12 X 37.33
PNL26269	12	1	PANEL; CORNER POST, 3.5 x 37.3 INCHES

MODEL NUMBER DESCRIPTION

75005587

REL
C

OUTDOOR UNITS

Example Model Number:

4 A 7 A 0 0 3 6 A 1 0 0 0 A A
1 - - - 5 - - - 10 - - - 15

Digit 1 – Refrigerant Type

- 2 = R-22
- 4 = R-410A

Digit 2 – American Standard

Digit 3 – Product Type

- 6,W = Split Heat Pump
- 7,T = Split Cooling

Digit 4 – Product Family

- V = Variable Speed
- Z = Leadership - Two Stage
- X = Leadership
- R = Replacement/Retail
- M or B = Basic
- A = Light Commercial
- L = Side Discharge

Digit 5 – Family SEER

- 3 = 13 7 = 17
- 4 = 14 8 = 18
- 5 = 15 9 = 19
- 6 = 16 0 = 20

Digits 6 – Split System Connections 1-6 Tons

- 0 = Brazed

Digits 7,8 – Nominal Capacity in 000s BTUs

Digit 9 – Major Design Modifications

Digit 10 – Power Supply

- 1 = 200-230/1/60 or 208-230/1/60
- 3 = 200-230/3/60
- 4 = 460/3/60

Digit 11,12,13 – Secondary Function

Digit 14 – Minor Design Modifications

Digit 15 – Unit Parts Identifier

Part No.	Reference No.	Quantity	Description
75005587_4A7A6UP6_209643~P	*		MODEL NOMENCLATURE PARTS LIST

MODEL NUMBER DESCRIPTION

75005587

REL
C

OUTDOOR UNITS

Example Model Number:

4 A 7 A 0 0 3 6 A 1 0 0 0 A A
1 - - - 5 - - - 10 - - - 15

Digit 1 – Refrigerant Type

2 = R-22
4 = R-410A

Digit 2 – American Standard

Digit 3 – Product Type

6,W = Split Heat Pump
7,T = Split Cooling

Digit 4 – Product Family

V = Variable Speed
Z = Leadership - Two Stage
X = Leadership
R = Replacement/Retail
M or B = Basic
A = Light Commercial
L = Side Discharge

Digit 5 – Family SEER

3 = 13 7 = 17
4 = 14 8 = 18
5 = 15 9 = 19
6 = 16 0 = 20

Digits 6 – Split System Connections 1-6 Tons

0 = Brazed

Digits 7,8 – Nominal Capacity in 000s BTUs

Digit 9 – Major Design Modifications

Digit 10 – Power Supply

1 = 200-230/1/60 or 208-230/1/60
3 = 200-230/3/60
4 = 460/3/60

Digit 11,12,13 – Secondary Function

Digit 14 – Minor Design Modifications

Digit 15 – Unit Parts Identifier

Parts List Number :75005591#4A7A6UP6

Model Number :4A7A6024G1000AA

Part No.	Reference No.	Quantity	Description
OPTIONS_4A7A6UP6_209648~P	*		OPTIONAL FIELD INSTALLED ACCESSORIES PARTS LIST

NO GRAPHIC AVAILABLE

75013702

REV
A

**NO
GRAPHIC
AVAILABLE**

Parts List Number :75005591#4A7A6UP6

Model Number :4A7A6024G1000AA

Part No.	Reference No.	Quantity	Description
KIT07731	*	1	KIT; SNOW LEGS, CONTAINS (4) 6" MOUNTING LEGS (BAYLEGS002)
KIT07732	*	1	KIT; SNOW LEGS, (4" EXTENSION KIT) (BAYLEGS003)
KIT07908	*	1	KIT; START ASSEMBLY (BAYKSKT260)
KIT08164	*	1	KIT; SUMP HEATER, 208/230V, BELLYBAND STYLE FOR SCROLL COMPRESSORS (BAYCCHT301), 6.5/7.5 DIA, 74 IN LENGTH
KIT08409	*	1	KIT; VERTICAL AIR DISCHARGE (BAYVDTA004)
KIT09425	*	1	KIT; ISOLATOR (BAYISLT101) (CONTAINS A QTY OF 5 ISOLATORS)
KIT15190	*	1	KIT; EXTREME MOUNTING CONDITION (BAYECMT004).
PAI00309	*	1	PAINT; DARK BROWN, 12 OZ SPRAY CAN, HERESITE AIR DRY PHENOLIC COATING, VR-554T