

GENERAL ASSEMBLY

75005591

REV
A

Typical Illustration. Unit may not appear exactly as shown.



Part No.	Reference No.	Quantity	Description
75005592#4A7A5UP3~S	*		CABINTRY
75005598#4A7A5UP3~S	*		CONTROLS
75005593#4A7A5UP3~S	*		FAN
75005591_4A7A5UP3_215607~P	*		GENERAL ASSEMBLY PARTS LIST
75005587#4A7A5UP3~S	*		MODEL NOMENCLATURE
OPTIONS#4A7A5UP3~S	*		OPTIONAL FIELD INSTALLED ACCESSORIES
75005580#4A7A5UP3~S	*		REFRIGERATION

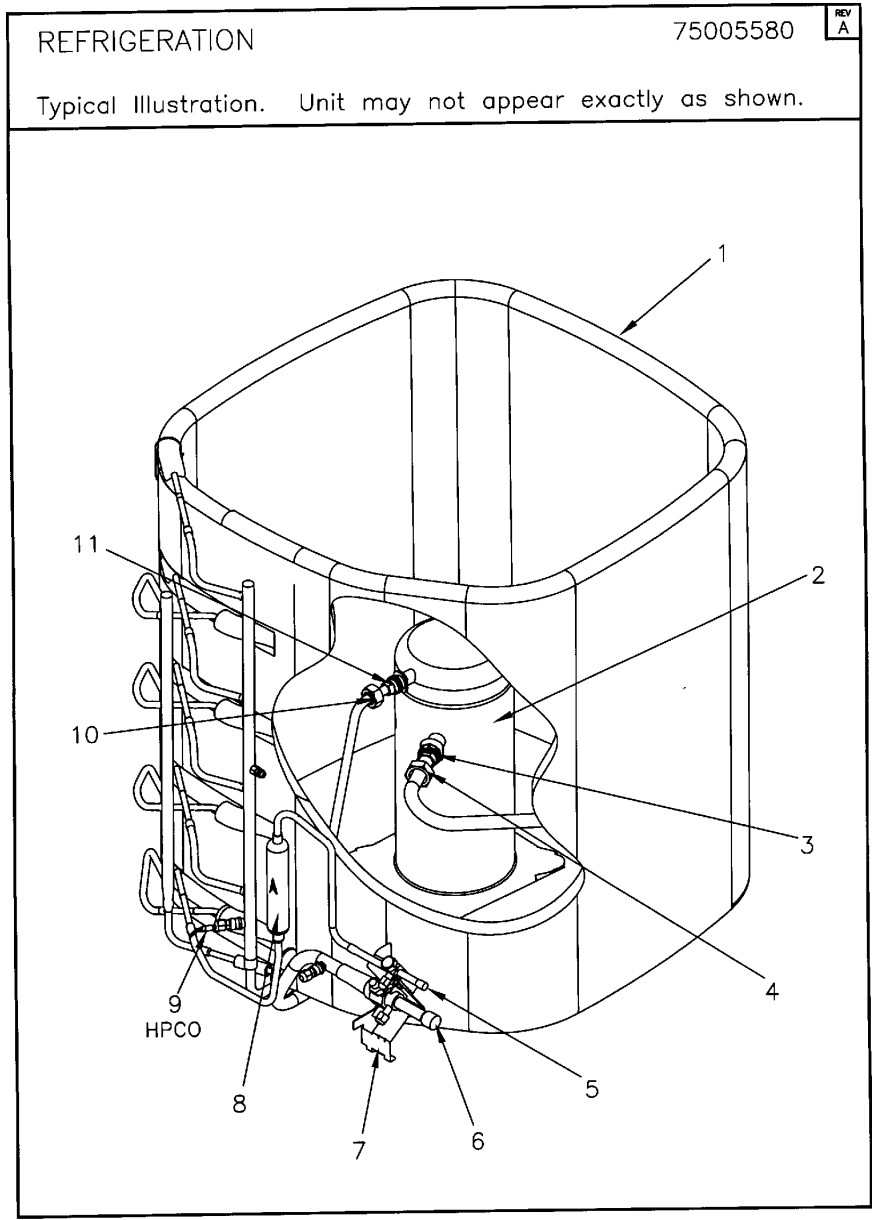
GENERAL ASSEMBLY

75005591

REV
A

Typical Illustration. Unit may not appear exactly as shown.

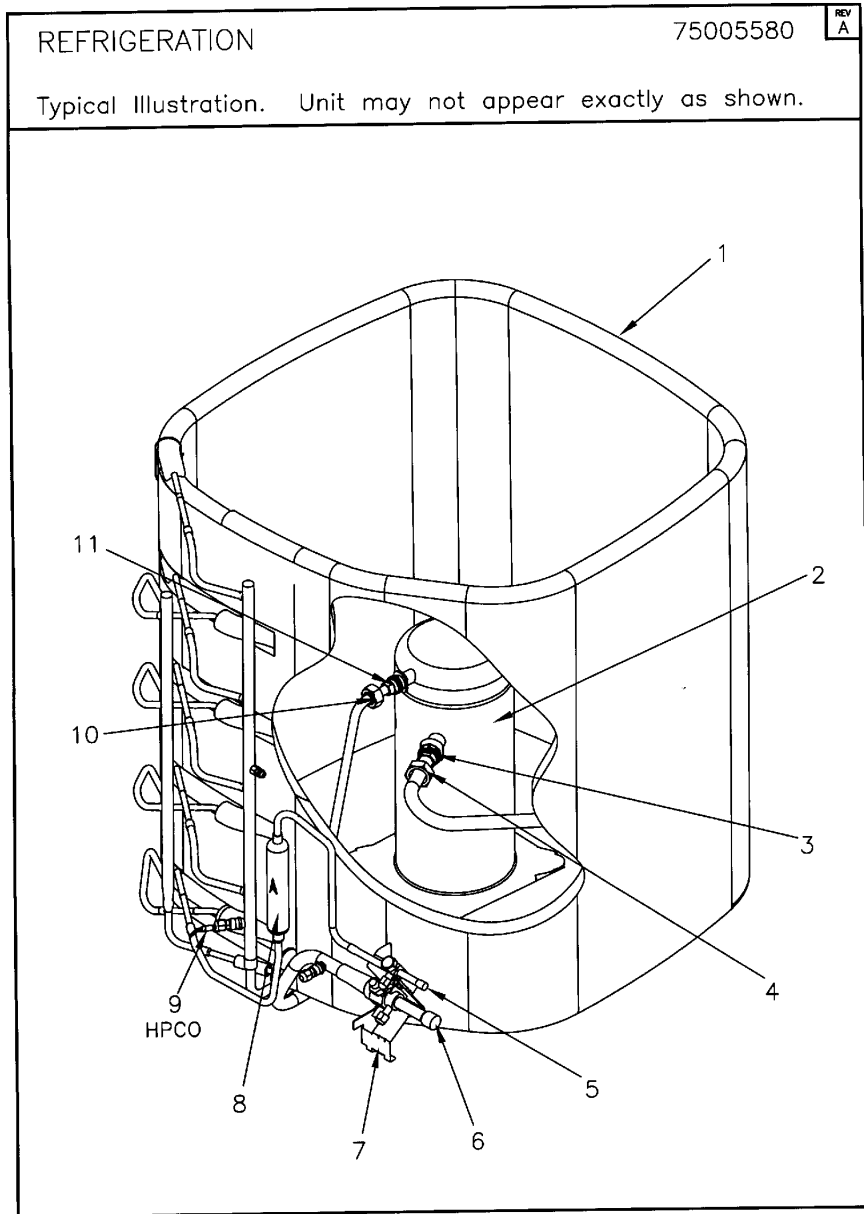




Parts List Number :75005591#4A7A5UP3

Model Number :4A7A5060E1000AB

Part No.	Reference No.	Quantity	Description
75005580_4A7A5UP3_361403~P	*		REFRIGERATION PARTS LIST



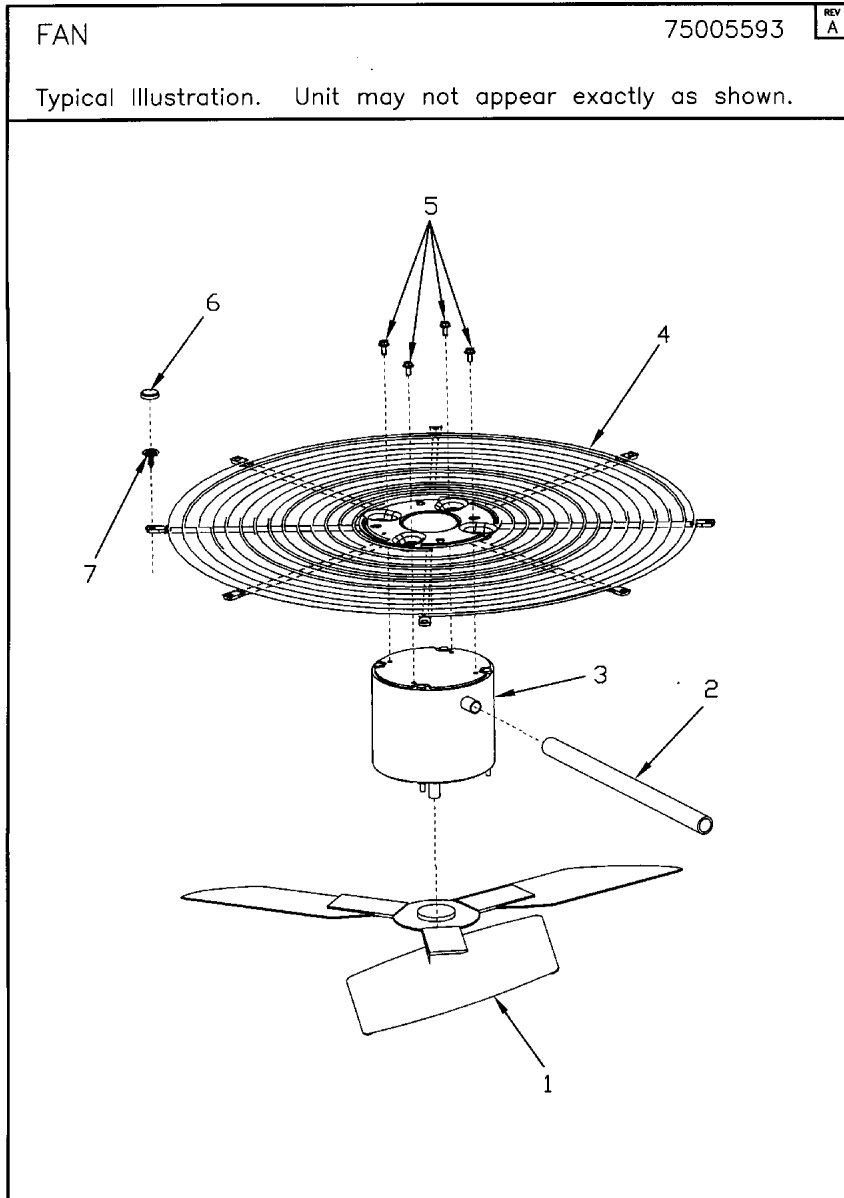
Part No.	Reference No.	Quantity	Description
ATT00258	*	1	ENCLOSURE; NOISE, SCROLL, 10.5 ID, 18.19 HEIGHT
GKT01532	*	1	GASKET; TEFLON, SIZE 3/4", (FITTING SIZE 1.00-14)
GKT01533	*	1	GASKET; TEFLON, SIZE 1", (FITTING SIZE 1.25-12)
KIT01159	*	1	KIT; ROTOLOCK COMPRESSOR TO BRAZED; 1.00-14 THREAD SIZE ; 1/2 IN TUBE SIZE
KIT01165	*	1	KIT; ROTOLOCK COMPRESSOR TO BRAZED; 1.25-12 THREAD SIZE ; 7/8 IN TUBE SIZE
KIT08369	*	1	KIT; CORE, (KIT CONTAINS COR00006 VALVE PORT AND COR00092 CORE BODY)
SWT03154	*	1	SWITCH, LOW PRESSURE, SPST, OPEN @ 50 DEGREES PSIG, CLOSE @ 75 DEGREES PSIG
WIR03325	*	1	WIRE, PLUG-SCROLL COMPRESSOR
COL15979	1	1	COIL; CONDENSER, SPINE FIN
COM08807	2	1	COMPRESSOR; SCROLL, SXA051B1RPZ, 4.2 TONS, 208-230/60/1, R410A, (1.25-12 SUCTION, 1.00-14 DISCHARGE)
SLV00206	3	1	SLEEVE; 1/2" TUBE SIZE
NUT01000	4	1	NUT; 1.00-14 UNS-2B THREAD SIZE (FOR 1/2" TUBE SIZE)
VAL09293	5	1	VALVE, SERVICE LIQUID, .38 OD X .38 OD, VALVE ASSY
VAL07328	6	1	VALVE, SERVICE GAS, .88 OD X .88 OD, BALL VALVE ASSY, BRASS, FEMALE BRAZE TO FEMALE BRAZE, LEFT HAND SERVICE PORT
BRK03020	7	1	BRACKET; VALVE
DHY01089	8	1	DRIER; FILTER/LIQUID LINE, 3/8 ODF, R-410A COMPATIBLE, 5 CU. IN.; 5.4 TON CAPACITY
SWT03277	9	1	SWITCH, HIGH PRESSURE, SPST, OPEN AT 650 PSIG, CLOSE AT 500 PSIG, 91 IN. YELLOW AND RED LEAD
NUT00999	10	1	NUT; 1.25-12 UNF-2B THREAD SIZE (FOR 3/4" OR 5/8" TUBE SIZE)
SLV00185	11	1	SLEEVE; 3/4" TUBE SIZE



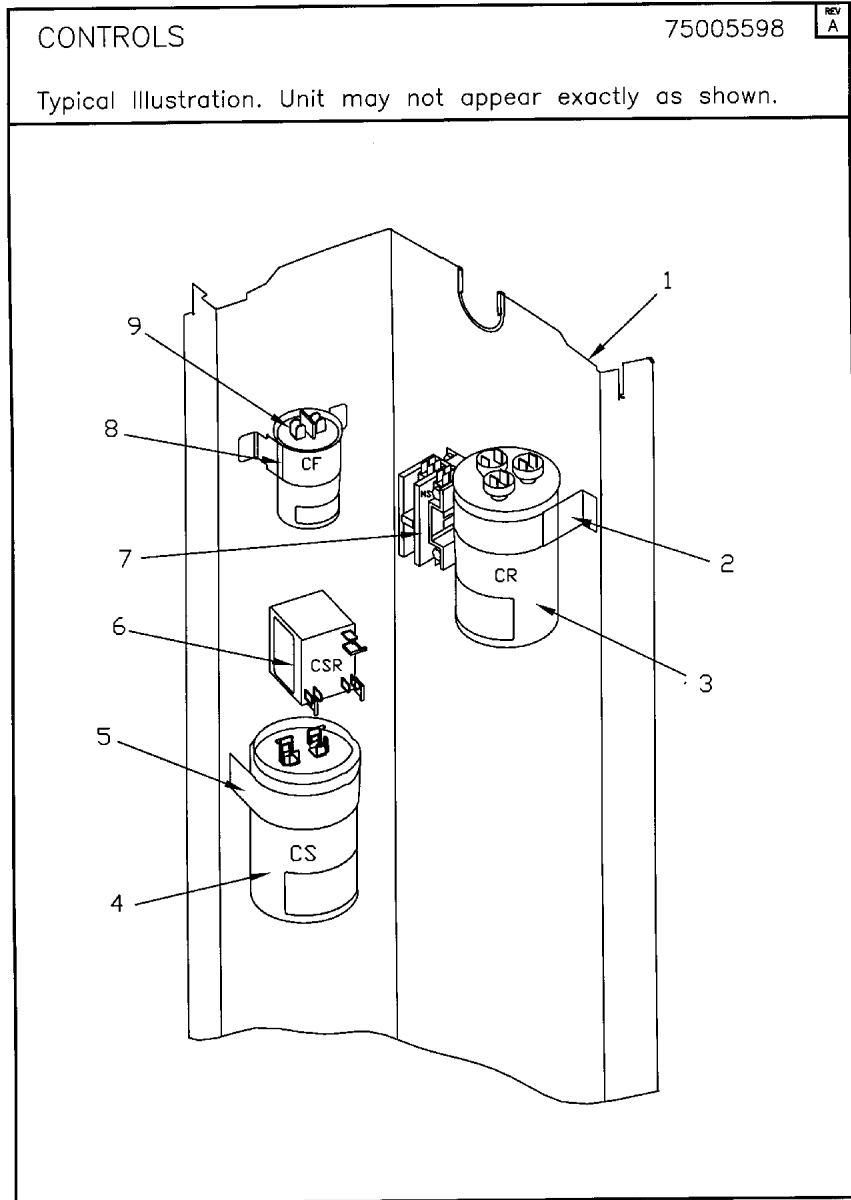
Parts List Number :75005591#4A7A5UP3

Model Number :4A7A5060E1000AB

Part No.	Reference No.	Quantity	Description
75005593_4A7A5UP3_215611~P	*		FAN PARTS LIST



Part No.	Reference No.	Quantity	Description
COV03250	*	1	COVER; MOTOR, 6.86 DIA
PIN00868	*	8	PIN; SNAP BACK
FAN04233	1	1	FAN, 2 SWEPT BLADE, 27.5" DIA, 26 DEGREES PITCH, .50" BORE, CCW, ALUMINUM, 1 SET SCREW-STEEL, SPIDER .075 THK
GRD01416	2	1	GUARD, TROUGH-LEAD
MOT12750	3	1	MOTOR, 1/5 HP, 200/230/60/1, 835 RPM, 39 FRAME, PSC, SLEEVE BEARING, CCW, 7.5 MFD CPT @ 370V
GRL01348	4	1	GRILLE; FAN, 29 IN DIA, SPIRAL WIRE, BASALT GREY
NUT00845	5	4	NUT; FLANGE NIBBED
CAP00913	6	8	CAP; RETAINER
SCR01976	7	8	SCREW; NUMBER 10 X 3/4 NO SLOT HWH T/S STEEL ZY .0002 THK BAKE TY AB GROUNDING EYELET



Parts List Number :75005591#4A7A5UP3

Model Number :4A7A5060E1000AB

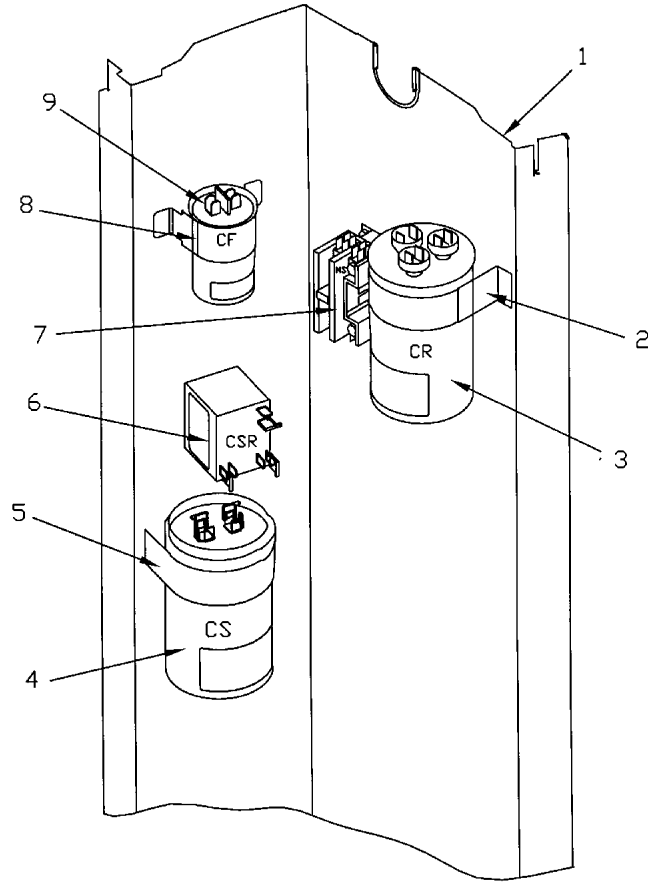
Part No.	Reference No.	Quantity	Description
75005598_4A7A5UP3_361405~P	*		CONTROLS PARTS LIST

CONTROLS

75005598

REV
A

Typical Illustration. Unit may not appear exactly as shown.



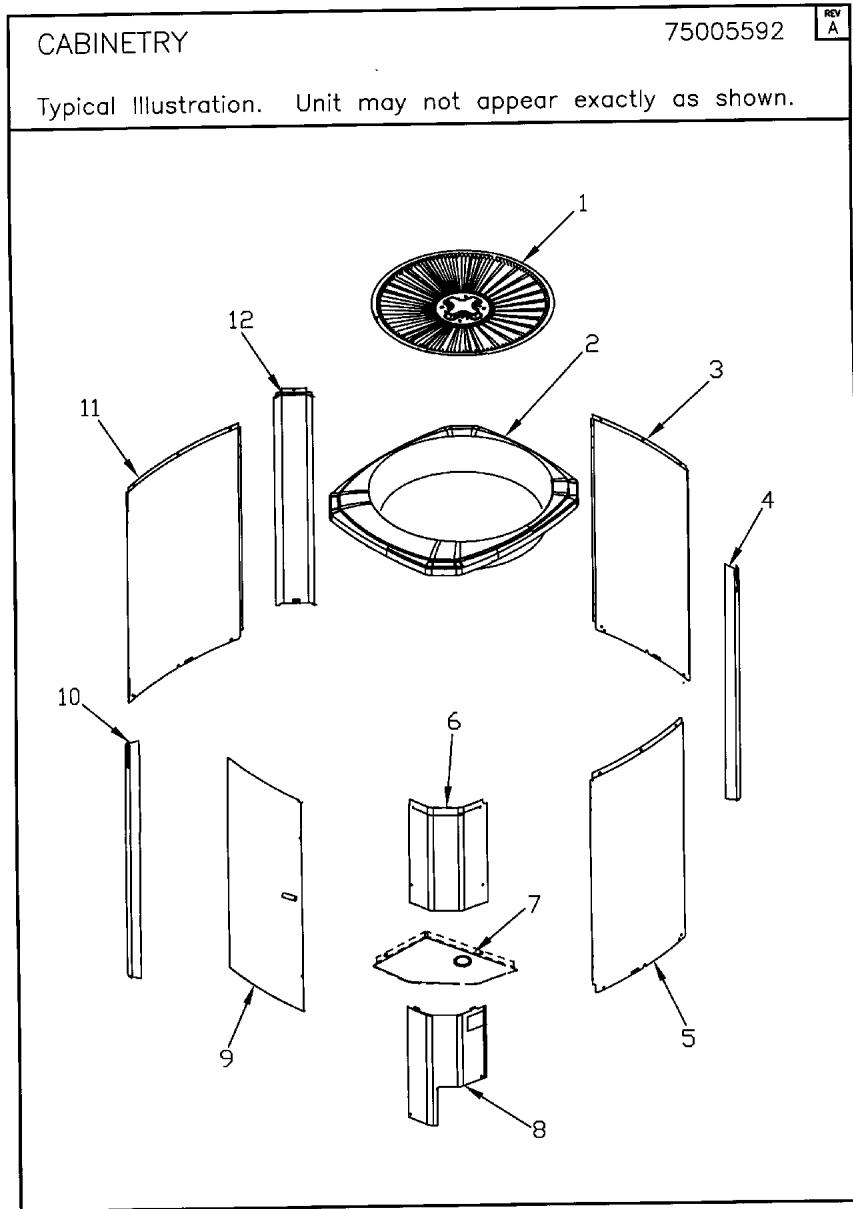
Part No.	Reference No.	Quantity	Description
SHD00386	*	1	SHIELD; MOISTURE, 12.75 X 5.00
SHD00387	*	1	SHIELD; MOISTURE, 10.25 X 4.00
WIR04816	*	1	WIRE; PLUG-SCROLL COMPRESSOR
PNL25790	1	1	PANEL, CONTROL PANEL BASE, 39.14 HEIGHT
SRP00093	2	1	STRAP;CAPACITOR
CPT01846	3	1	CAPACITOR, RUN, 70 MFD, 440V, ROUND, W/O RESISTOR
CPT00091	4	1	CAPACITOR; START, 135-155 MFD, 330V, ROUND, W/ RESISTOR
RLY03148	6	1	RELAY, START, 50A COIL, 383 CONTINUOUS COIL RATING, 60 HZ, 160-170V HOT PICKUP, 153-165V PICK UP, 55-115V DROP OUT, 5600 COIL RESISTANCE
CTR01028	7	1	CONTACTOR; 2P, 40A 600V CONTACTS, 24 CV, 60HZ
CPT00477	9	1	CAPACITOR; RUN, 7.5 MFD, 370VAC, OVAL, W/O RESISTOR



Parts List Number :75005591#4A7A5UP3

Model Number :4A7A5060E1000AB

Part No.	Reference No.	Quantity	Description
75005592_4A7A5UP3_280148~P	*		CABINETY PARTS LIST



Parts List Number :75005591#4A7A5UP3

Model Number :4A7A5060E1000AB

Part No.	Reference No.	Quantity	Description
PAI00246	*	1	PAINT; SPRAY, TARPAULIN GRAY (SHIPPING UOM 12 OZ HAZ)
PAI00248	*	1	PAINT; 12 OZ SPRAY, ANTHRACITE GRAY (SHIPPING UOM 12 OZ HAZ)
PLT03590	*	1	NAMEPLATE; AMERICAN STANDARD, RECTANGLE
SCR02010	*	19	SCREW; 12-18 AB HXW 1/2 SN
GRL01348	1	1	GRILLE; FAN, 29 IN DIA, SPIRAL WIRE, BASALT GREY
COV04035	2	1	COVER; TOP, 37.00 X 34.00
PNL25664	3	1	PANEL; WRAPPER, 41.33 X 22.98
PNL26270	4	1	PANEL; CORNER POST, 3.5 x 41.3 INCHES
PNL25664	5	1	PANEL; WRAPPER, 41.33 X 22.98
COV04038	6	1	COVER; CONTROLS, 11 x 26 INCHES
COV03228	7	1	COVER, CONTROL BOTTOM
COV04041	8	1	COVER; VALVE, 11.32 x15.4 INCHES
PNL25665	9	1	PANEL; ACCESS, 40.65 X 19.79
PNL26270	10	1	PANEL; CORNER POST, 3.5 x 41.3 INCHES
PNL25663	11	1	PANEL; WRAPPER, 41.33 X 27.00
PNL26270	12	1	PANEL; CORNER POST, 3.5 x 41.3 INCHES

MODEL NUMBER DESCRIPTION

75005587

REL
C

OUTDOOR UNITS

Example Model Number:

4 A 7 A 0 0 3 6 A 1 0 0 0 A A
1 - - - 5 - - - 10 - - - 15

Digit 1 – Refrigerant Type

- 2 = R-22
- 4 = R-410A

Digit 2 – American Standard

Digit 3 – Product Type

- 6,W = Split Heat Pump
- 7,T = Split Cooling

Digit 4 – Product Family

- V = Variable Speed
- Z = Leadership - Two Stage
- X = Leadership
- R = Replacement/Retail
- M or B = Basic
- A = Light Commercial
- L = Side Discharge

Digit 5 – Family SEER

- 3 = 13 7 = 17
- 4 = 14 8 = 18
- 5 = 15 9 = 19
- 6 = 16 0 = 20

Digits 6 – Split System Connections 1-6 Tons

- 0 = Brazed

Digits 7,8 – Nominal Capacity in 000s BTUs

Digit 9 – Major Design Modifications

Digit 10 – Power Supply

- 1 = 200-230/1/60 or 208-230/1/60
- 3 = 200-230/3/60
- 4 = 460/3/60

Digit 11,12,13 – Secondary Function

Digit 14 – Minor Design Modifications

Digit 15 – Unit Parts Identifier

Part No.	Reference No.	Quantity	Description
75005587_4A7A5UP3_215609~P	*		MODEL NOMENCLATURE PARTS LIST

MODEL NUMBER DESCRIPTION

75005587

REL
C

OUTDOOR UNITS

Example Model Number:

4 A 7 A 0 0 3 6 A 1 0 0 0 A A
1 - - - 5 - - - 10 - - - 15

Digit 1 – Refrigerant Type

2 = R-22
4 = R-410A

Digit 2 – American Standard

Digit 3 – Product Type

6,W = Split Heat Pump
7,T = Split Cooling

Digit 4 – Product Family

V = Variable Speed
Z = Leadership - Two Stage
X = Leadership
R = Replacement/Retail
M or B = Basic
A = Light Commercial
L = Side Discharge

Digit 5 – Family SEER

3 = 13 7 = 17
4 = 14 8 = 18
5 = 15 9 = 19
6 = 16 0 = 20

Digits 6 – Split System Connections 1-6 Tons

0 = Brazed

Digits 7,8 – Nominal Capacity in 000s BTUs

Digit 9 – Major Design Modifications

Digit 10 – Power Supply

1 = 200-230/1/60 or 208-230/1/60
3 = 200-230/3/60
4 = 460/3/60

Digit 11,12,13 – Secondary Function

Digit 14 – Minor Design Modifications

Digit 15 – Unit Parts Identifier

Parts List Number :75005591#4A7A5UP3

Model Number :4A7A5060E1000AB

Part No.	Reference No.	Quantity	Description
OPTIONS_4A7A5UP3_361406~P	*		OPTIONAL FIELD INSTALLED ACCESSORIES PARTS LIST

NO GRAPHIC AVAILABLE

75013702

REV
A

**NO
GRAPHIC
AVAILABLE**

Parts List Number :75005591#4A7A5UP3

Model Number :4A7A5060E1000AB

Part No.	Reference No.	Quantity	Description
KIT05354	*	1	KIT; TIME DELAY (TAYASCT501A) - 5 MINUTE RELAY ONLY IS RLY01343
KIT07731	*	1	KIT; SNOW LEGS, CONTAINS (4) 6" MOUNTING LEGS (BAYLEGS002)
KIT07732	*	1	KIT; SNOW LEGS, (4" EXTENSION KIT) (BAYLEGS003)
KIT08036	*	1	KIT; SEA COAST (BAYSEAC001)
KIT08087	*	1	KIT; HEAD PRESSURE (BAYLOAM103)
KIT08164	*	1	KIT; SUMP HEATER, 208/230V, BELLYBAND STYLE FOR SCROLL COMPRESSORS (BAYCCHT301), 6.5/7.5 DIA, 74 IN LENGTH
KIT09425	*	1	KIT; ISOLATOR (BAYISLT101) (CONTAINS A QTY OF 5 ISOLATORS)
KIT15190	*	1	KIT; EXTREME MOUNTING CONDITION (BAYECMT004).
PAI00309	*	1	PAINT; DARK BROWN, 12 OZ SPRAY CAN, HERESITE AIR DRY PHENOLIC COATING, VR-554T