

| Part No. | Reference No. | Quantity | Description |
|-----------------|----------------------|-----------------|--------------------------|
| 0000156173~S | * | | CABINET |
| 0000156172~S | * | | CONTROLS |
| 0000156171~S | * | | FAN |
| 0000156169~S | * | | GENERAL ASSEMBLY |
| 0000156174~S | * | | MODEL NUMBER DESCRIPTION |
| 0000156170~S | * | | REFRIGERATION |

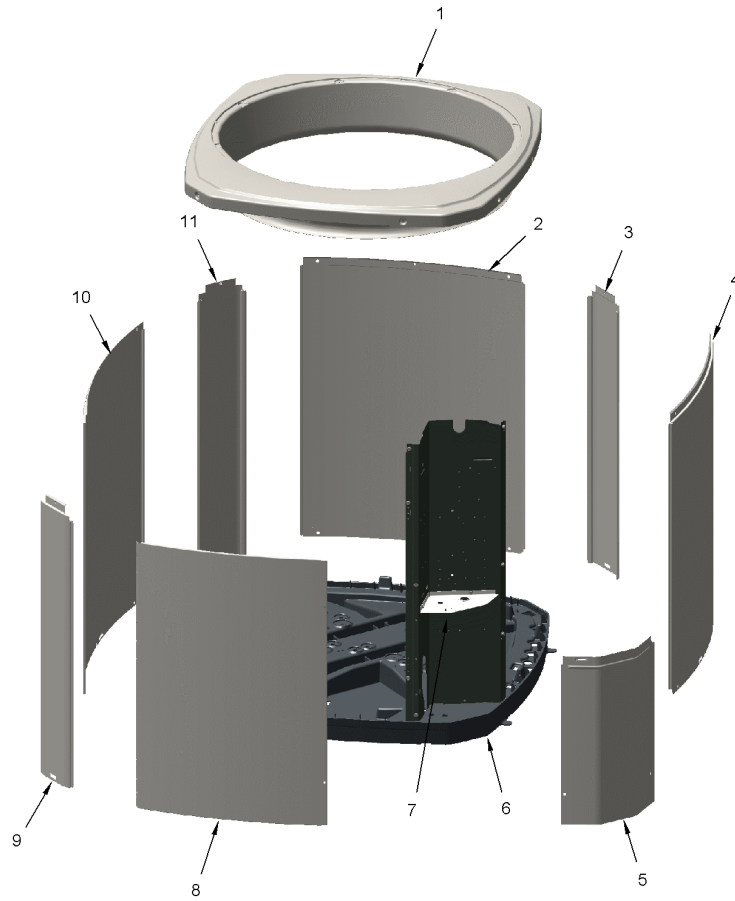
| Part No. | Reference No. | Quantity | Description |
|--------------|---------------|----------|---------------------|
| 0000030388~P | * | | CABINERY PARTS LIST |

CABINET

75010796

REV.
A

TYPICAL ILLUSTRATION



| Part No. | Reference No. | Quantity | Description |
|----------|---------------|----------|---|
| PAI00074 | * | 0 | PAINT; SPRAY, SLATE GREY, FULL GLOSS(88) (SHIPPING UOM 12 OZ HAZ) |
| PAI00207 | * | 0 | PAINT; SPINNAKER GRAY (SHIPPING UOM 12 OZ HAZ) SPRAY CAN |
| SCR02010 | * | 17 | SCREW; 12-18 AB HXW 1/2 SN |
| SCR02054 | * | 17 | SCREW; 12-18 AB HXW 1/2 SN |
| COV04036 | 1 | 1 | COVER; TOP, 29.40 X 32.36, SPINNAKER GRAY |
| PNL23810 | 2 | 1 | PANEL; WRAPPER, 23.14 X 25.33 |
| PNL26276 | 3 | 1 | PANEL; CORNER POST, 3.5 x 25.3 |
| PNL23810 | 4 | 1 | PANEL; WRAPPER, 23.14 X 25.33 |
| COV04037 | 5 | 1 | COVER; CONTROLS, 11 x 18 INCHES |
| BAS01833 | 6 | 1 | BASE; 36.26 X 36.41 DIAGONALLY |
| COV03228 | 7 | 1 | COVER, CONTROL BOTTOM |
| PNL23811 | 8 | 1 | PANEL; ACCESS, 15.69 X 24.65 |
| PNL26276 | 9 | 1 | PANEL; CORNER POST, 3.5 x 25.3 |
| PNL14792 | 10 | 2 | PANEL; WRAPPER, 19.55 X 25.33 |
| PNL26276 | 11 | 1 | PANEL; CORNER POST, 3.5 x 25.3 |

CONTROLS

Parts List Number :0000156154

Model Number :4A7A5024N1000A

| Part No. | Reference No. | Quantity | Description |
|--------------|---------------|----------|------------------|
| 0000030352~P | * | | CONTROLS-COOLING |

| Part No. | Reference No. | Quantity | Description |
|----------|---------------|----------|---|
| CON00241 | * | 1 | CONNECTOR; WIRE |
| PAI00246 | * | 0 | PAINT; SPRAY, TARPAULIN GRAY (SHIPPING UOM 12 OZ HAZ) |
| PLU00984 | * | 1 | PLUG; LOCKING HOLE |
| PLU01293 | * | 1 | PLUG; SCROLL COMPRESSOR |
| SCR01918 | * | 7 | SCREW, 10-24 THREAD ROLL, INDENT HEX WASHER HD |
| SRP00269 | * | 1 | STRAP; CAPACITOR |
| TER00312 | * | 3 | TERMINAL; 8IN. TIE CABLE |
| TIE00007 | * | 3 | TIE;CABLE |
| CPT00977 | 1 | 1 | CAPACITOR; DUAL, 35/5 MFD, 440V, ROUND, W/O RESISTOR |
| SHD00386 | 2 | 1 | SHIELD; MOISTURE, 12.75 X 5.00 |
| SHD00387 | 3 | 1 | SHIELD; MOISTURE, 10.25 X 4.00 |
| CTR00845 | 4 | 1 | CONTACTOR; 30 AMP, 240/480/600V, 24V COIL, 1 POLE |
| PNL21731 | 5 | 1 | PANEL, CONTROL PANEL, 27.14 HEIGHT |

| Part No. | Reference No. | Quantity | Description |
|--------------|---------------|----------|----------------|
| 0000030331~P | * | | FAN PARTS LIST |

FAN

75010673

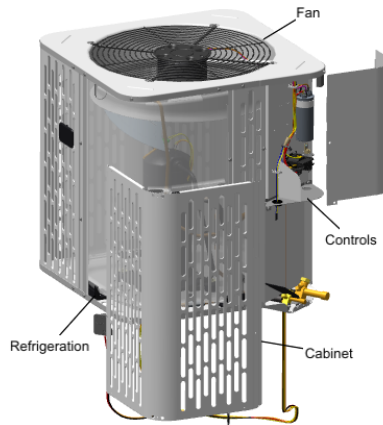
REV
A

TYPICAL ILLUSTRATION



| Part No. | Reference No. | Quantity | Description |
|----------|---------------|----------|---|
| FAN03657 | 1 | 1 | FAN, 2 SWEPT BLADE, 23" DIA, 24.5 DEGREES PITCH, .50" BORE, CCW, ALUMINUM, 1 SET SCREW-STEEL, SPIDER .075 THK, FINISH/PAINT |
| MOT16968 | 2 | 1 | MOTOR; 1/8 HP |
| GRD01415 | 3 | 1 | GUARD, TROUGH-LEAD |
| SCR02086 | 4 | 4 | SCREW; 10-32 TR-3 HXW 3/8 S |

| Part No. | Reference No. | Quantity | Description |
|-------------|---------------|----------|--------------------------|
| 000004361~P | * | | GENERAL ASSEMBLY GRAPHIC |



| Part No. | Reference No. | Quantity | Description |
|--------------|---------------|----------|-------------------------------------|
| 0000029224~P | * | | MODEL NUMBER DESCRIPTION PARTS LIST |

MODEL NUMBER DESCRIPTION

75005587

REL
C

OUTDOOR UNITS

Example Model Number:

4 A 7 A 0 0 3 6 A 1 0 0 0 A A
1 - - - 5 - - - 10 - - - 15

Digit 1 – Refrigerant Type

2 = R-22
4 = R-410A

Digit 2 – American Standard

Digit 3 – Product Type

6,W = Split Heat Pump
7,T = Split Cooling

Digit 4 – Product Family

V = Variable Speed
Z = Leadership - Two Stage
X = Leadership
R = Replacement/Retail
M or B = Basic
A = Light Commercial
L = Side Discharge

Digit 5 – Family SEER

3 = 13 7 = 17
4 = 14 8 = 18
5 = 15 9 = 19
6 = 16 0 = 20

Digits 6 – Split System Connections 1-6 Tons

0 = Brazed

Digits 7,8 – Nominal Capacity in 000s BTUs

Digit 9 – Major Design Modifications

Digit 10 – Power Supply

1 = 200-230/1/60 or 208-230/1/60
3 = 200-230/3/60
4 = 460/3/60

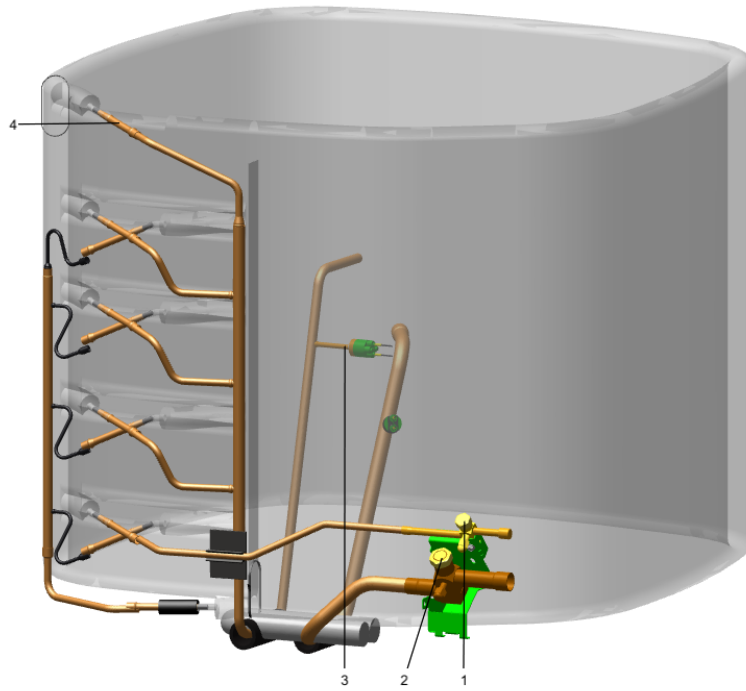
Digit 11,12,13 – Secondary Function

Digit 14 – Minor Design Modifications

Digit 15 – Unit Parts Identifier

| Part No. | Reference No. | Quantity | Description |
|-----------------|----------------------|-----------------|--------------------|
| 0000032254~P | * | | COMPRESSOR |
| 0000030272~P | * | | REFRIGERANT SYSTEM |

| Part No. | Reference No. | Quantity | Description |
|----------|---------------|----------|--|
| COM11996 | * | 1 | COMPRESSOR; SCROLL; LG; LBA020C1CLA; 1.75 TON; 19,500 BTUH; 208/230-60-1; R-410A; BRAZED; SUCTION 3/4; DISCHARGE 1/2 |



| Part No. | Reference No. | Quantity | Description |
|----------|---------------|----------|---|
| BRK03696 | * | 1 | BRACKET; VALVE |
| CAP00156 | * | 0 | CAP, TUBE PLUG, .447-.513 OD |
| COL25744 | * | 1 | COIL; SPINE FIN, 27.54W X 27.00H |
| COM11535 | * | 1 | COMPRESSOR; SCROLL, ALLIANCE, SBA014C1CPZ, 1.5 TON, 14.650 BTUH, 208/230-60-1, R410-A, BRAZED, SUCTION 3/4, DISCHARGE 1/2, RLA 10 |
| SCR02010 | * | 4 | SCREW; 12-18 AB HXW 1/2 SN |
| SCR02054 | * | 4 | SCREW; 12-18 AB HXW 1/2 SN |
| TUB02810 | * | 8 | TUBE; TRANSITION |
| VAL09293 | * | 1 | VALVE, SERVICE LIQUID, .38 OD X .38 OD, VALVE ASSY |
| COL28462 | | 1 | COIL; CONDENSER, SPINE FIN |
| CAP01336 | 1 | 1 | CAP; SERVICE LIQUID VALVE, BRASS, 0.75 OD X 0.57 ID X 11/16-28UN-2B |
| CAP01315 | 2 | 1 | CAP; SERVICE LIQUID VALVE, BRASS, 1.06 OD X 0.81 ID X 15/16-20UNEF-2B |
| SWT03273 | 3 | 1 | SWITCH, HIGH PRESSURE, SPST, OPEN @ 650 PSIG, CLOSE @ 500 PSIG, 88" YELLOW LEAD |
| TUB11547 | 4 | 8 | TUBE; TRANSITION ASSEMBLY |