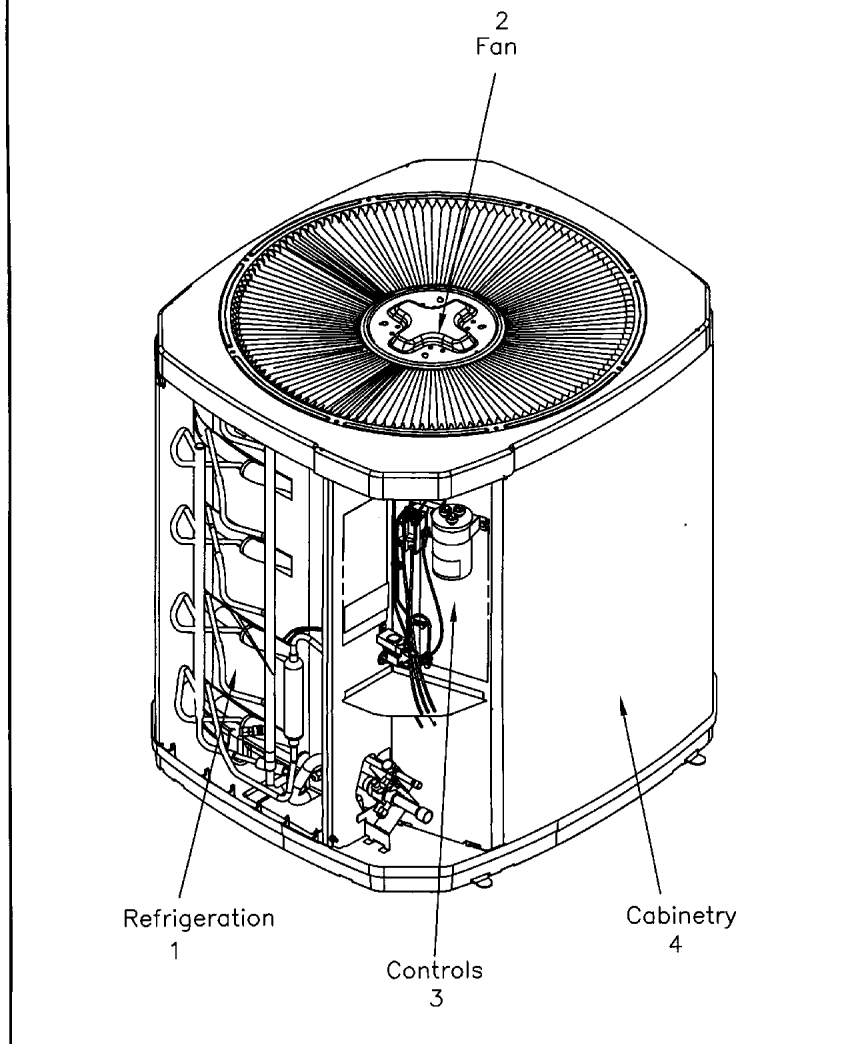


GENERAL ASSEMBLY

75005591

REV
A

Typical Illustration. Unit may not appear exactly as shown.



| Part No. | Reference No. | Quantity | Description |
|----------------------------|----------------------|-----------------|--------------------------------------|
| 75005592#4A7A5UP3~S | * | | CABINTRY |
| 75005596#4A7A5UP3~S | * | | CONTROLS |
| 75005593#4A7A5UP3~S | * | | FAN |
| 75005591_4A7A5UP3_215607~P | * | | GENERAL ASSEMBLY PARTS LIST |
| 75005587#4A7A5UP3~S | * | | MODEL NOMENCLATURE |
| OPTIONS#4A7A5UP3~S | * | | OPTIONAL FIELD INSTALLED ACCESSORIES |
| 75005590#4A7A5UP3~S | * | | REFRIGERATION |

GENERAL ASSEMBLY

75005591

REV
A

Typical Illustration. Unit may not appear exactly as shown.

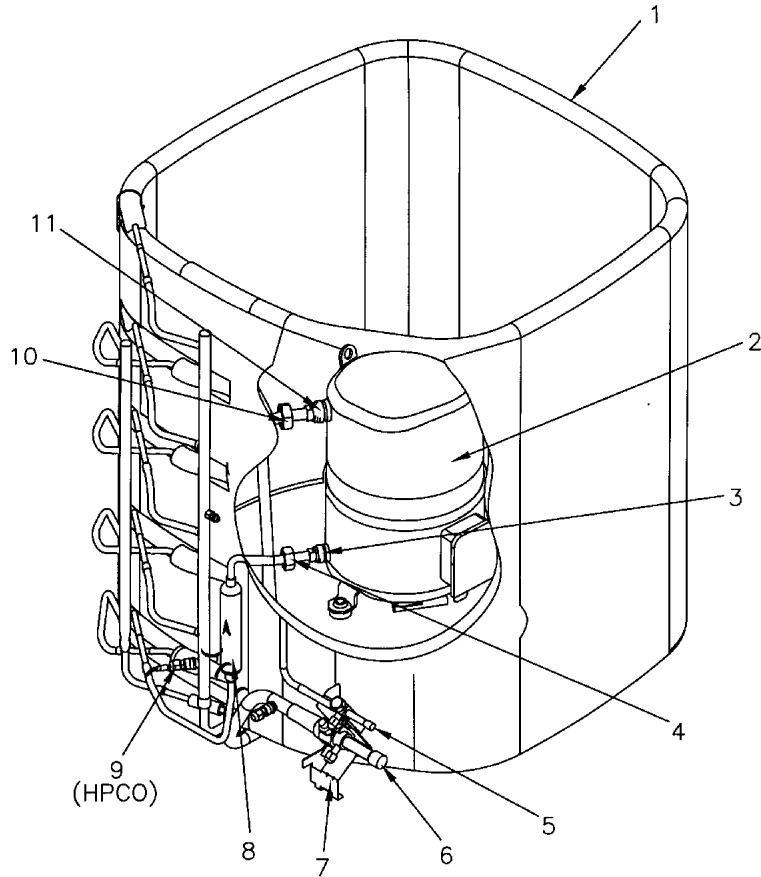


REFRIGERATION

75005590

REV
A

Typical Illustration. Unit may not appear exactly as shown.



Parts List Number :75005591#4A7A5UP3

Model Number :4A7A5024E1000AB

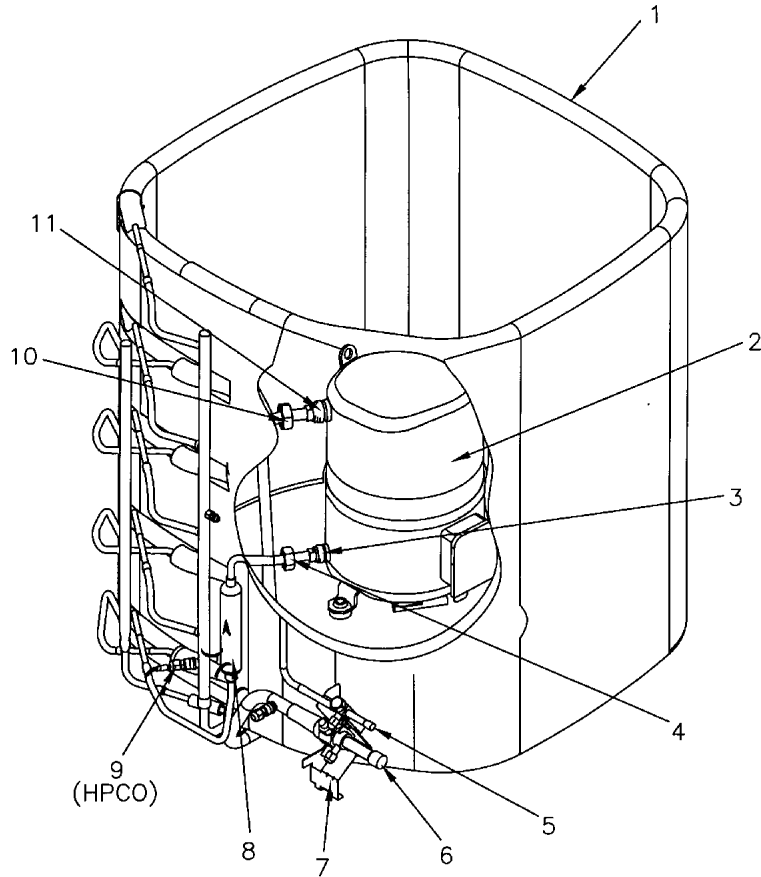
| Part No. | Reference No. | Quantity | Description |
|----------------------------|---------------|----------|--------------------------|
| 75005590_4A7A5UP3_357012~P | * | | REFRIGERATION PARTS LIST |

REFRIGERATION

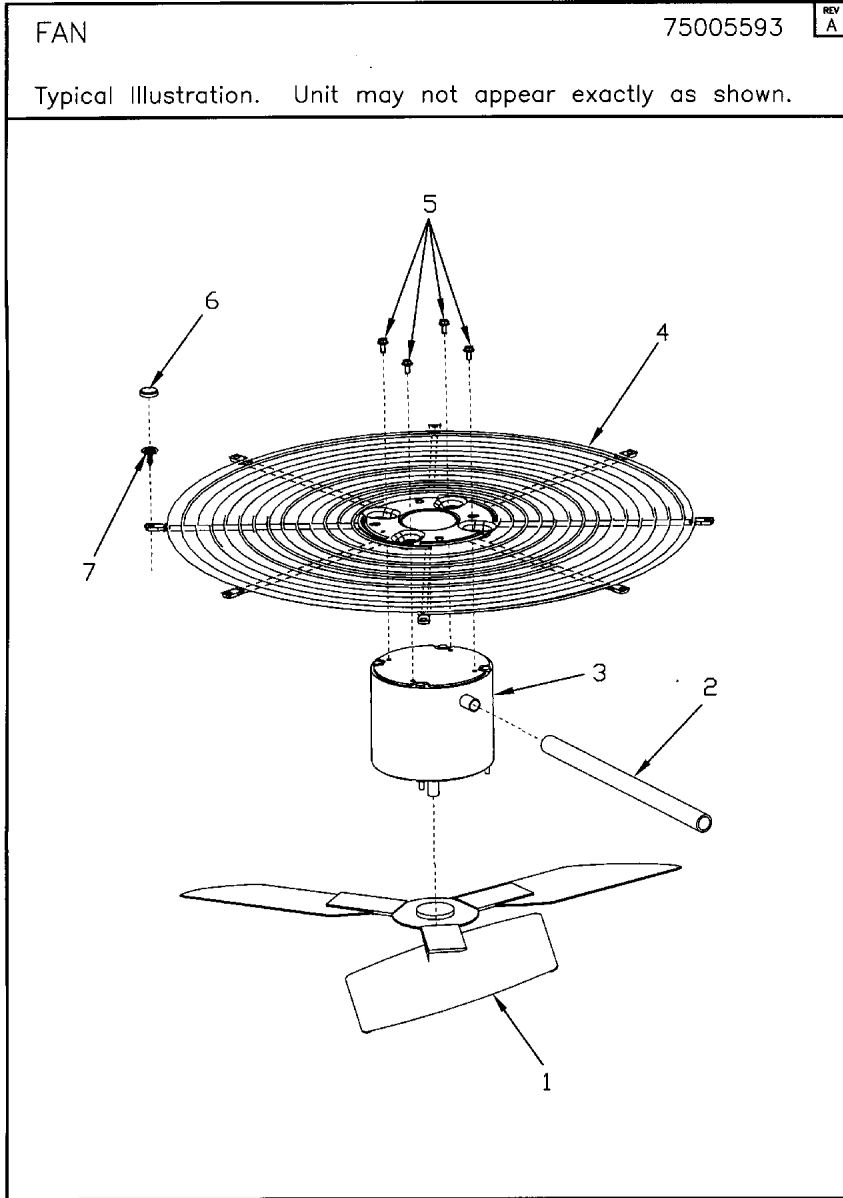
75005590

REV
A

Typical Illustration. Unit may not appear exactly as shown.



| Part No. | Reference No. | Quantity | Description |
|----------|---------------|----------|---|
| ATT00287 | * | 1 | ATTENUATOR; ENCLOSURE (1-CYL) |
| DHY00190 | * | 1 | DRIER; FILTER/SUCTION LINE, TYPE 30E7, 5/8IN. ODF CONN |
| GKT01532 | * | 1 | GASKET; TEFLON, SIZE 3/4", (FITTING SIZE 1.00-14) |
| GKT01533 | * | 1 | GASKET; TEFLON, SIZE 1", (FITTING SIZE 1.25-12) |
| KIT01159 | * | 1 | KIT; ROTOLOCK COMPRESSOR TO BRAZED; 1.00-14 THREAD SIZE ; 1/2 IN TUBE SIZE |
| KIT01163 | * | 1 | KIT; STUB TUBE, SIZE 1.25-12, FOR 5/8 IN TUBE SIZE |
| KIT01167 | * | 1 | KIT; STUB TUBE, SIZE 1.25-12, W/ 90 DEG ELL, FOR 1/2, 3/8, 5/8 IN, 3/4 TUBE SIZE |
| KIT08369 | * | 1 | KIT; CORE, (KIT CONTAINS COR00006 VALVE PORT AND COR00092 CORE BODY) |
| MNT00479 | * | 3 | MOUNT; VIBRATION ISOLATOR, COMPRESSOR |
| SCR01914 | * | 3 | SCREW, ASSEMBLY COMPRESSOR, 5/16-12 TYPE B, W/WASHER & SLEEVE |
| SHD00376 | * | 1 | SHIELD; SALT, 35.75 X 8.00 |
| WIR03325 | * | 1 | WIRE, PLUG-SCROLL COMPRESSOR |
| COL15904 | 1 | 1 | COIL; CONDENSER, SPINE FIN |
| COM09524 | 2 | 1 | COMPRESSOR; RECIP, DP15A-WX1-KA, 200-230/60/1, R410A, 1.25 TON (1.25-12 SUCTION, 1.00-14 DISCHARGE) |
| SLV00184 | 3 | 1 | SLEEVE; 1/2" TUBE SIZE |
| NUT01000 | 4 | 1 | NUT; 1.00-14 UNS-2B THREAD SIZE (FOR 1/2" TUBE SIZE) |
| VAL09293 | 5 | 1 | VALVE, SERVICE LIQUID, .38 OD X .38 OD, VALVE ASSY |
| VAL07327 | 6 | 1 | VALVE, SERVICE GAS, .75 OD X .75 OD, BALL VALVE ASSY, BRASS, FEMALE BRAZE TO FEMALE BRAZE, LEFT HAND SERVICE PORT |
| BRK03696 | 7 | 1 | BRACKET; VALVE |
| DHY01089 | 8 | 1 | DRIER; FILTER/LIQUID LINE, 3/8 ODF, R-410A COMPATIBLE, 5 CU. IN.; 5.4 TON CAPACITY |
| SWT03274 | 9 | 1 | SWITCH, HIGH PRESSURE, SPST, OPEN @ 650 PSIG, CLOSE @ 500 PSIG, 75" YELLOW LEAD |
| NUT00999 | 10 | 1 | NUT; 1.25-12 UNF-2B THREAD SIZE (FOR 3/4" OR 5/8" TUBE SIZE) |
| SLV00186 | 11 | 1 | SLEEVE; 5/8" TUBE SIZE |



Parts List Number :75005591#4A7A5UP3

Model Number :4A7A5024E1000AB

| Part No. | Reference No. | Quantity | Description |
|----------------------------|---------------|----------|----------------|
| 75005593_4A7A5UP3_219509~P | * | | FAN PARTS LIST |



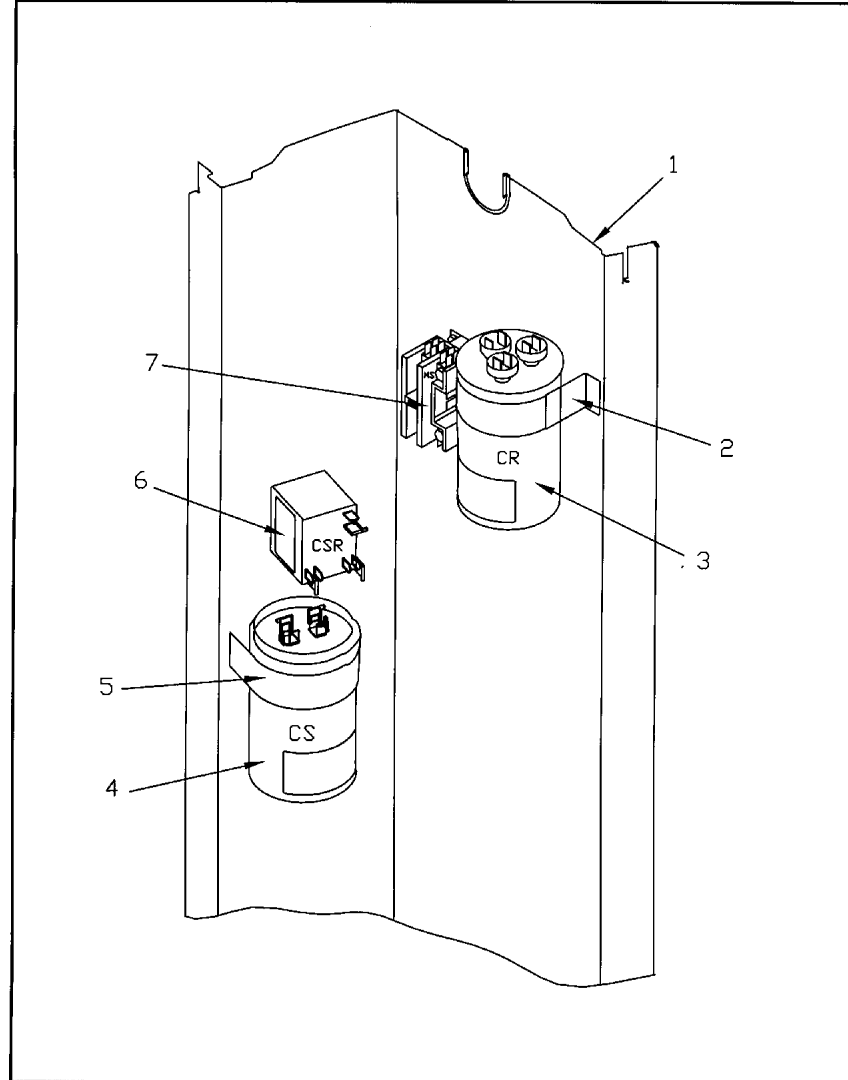
| Part No. | Reference No. | Quantity | Description |
|----------|---------------|----------|---|
| COV03250 | * | 1 | COVER; MOTOR, 6.86 DIA |
| FAN03657 | 1 | 1 | FAN, 2 SWEPT BLADE, 23" DIA, 24.5 DEGREES PITCH, .50" BORE, CCW, ALUMINUM, 1 SET SCREW-STEEL, SPIDER .075 THK, FINISH/PAINT |
| GRD01415 | 2 | 1 | GUARD, TROUGH-LEAD |
| MOT12215 | 3 | 1 | MOTOR, 1/8 HP, 200/230/60/1, 825 RPM, 48 FRAME, PSC, SLEEVE BEARING, CCW, 5 MFD CPT @ 370V |
| GRL01347 | 4 | 1 | GRILLE; FAN, 25.51 MOUNTING DIA |
| NUT00845 | 5 | 4 | NUT; FLANGE NIBBED |
| CAP00913 | 6 | 8 | CAP; RETAINER |
| SCR01976 | 7 | 8 | SCREW; NUMBER 10 X 3/4 NO SLOT HWH T/S STEEL ZY .0002 THK BAKE TY AB GROUNDING EYELET |

CONTROLS

75005596

REV
A

Typical Illustration. Unit may not appear exactly as shown.



Parts List Number :75005591#4A7A5UP3

Model Number :4A7A5024E1000AB

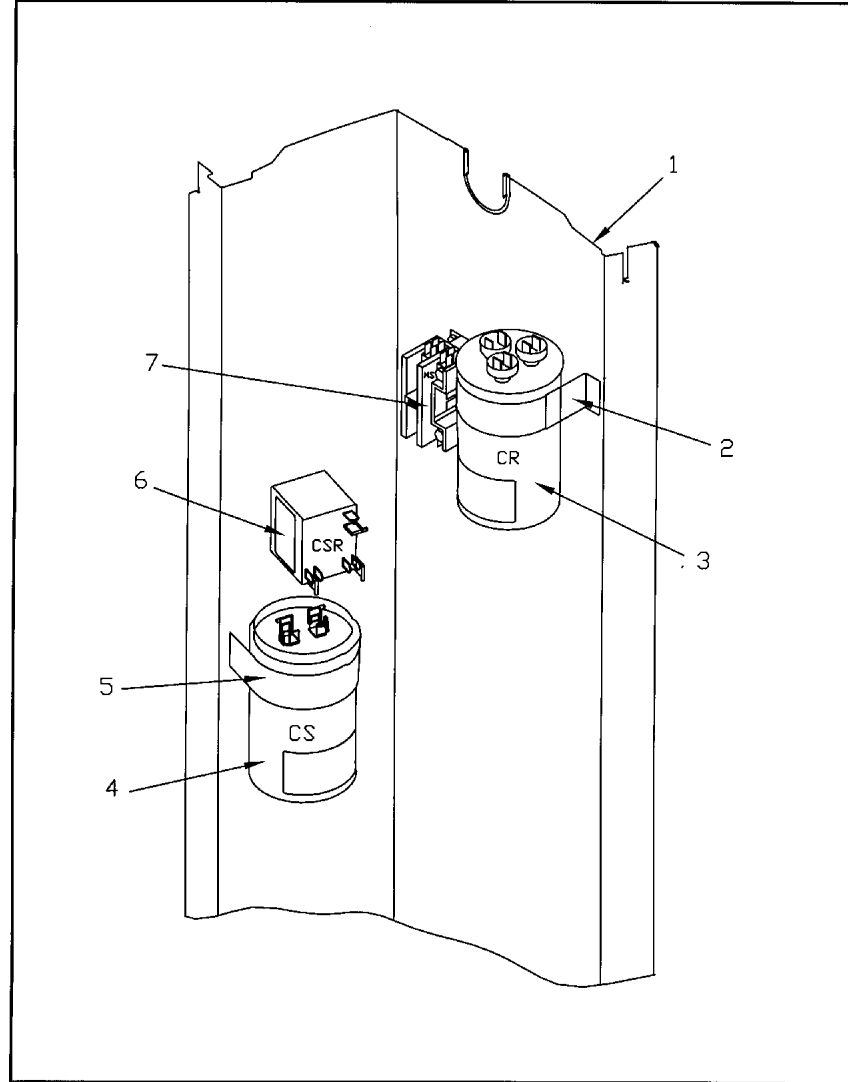
| Part No. | Reference No. | Quantity | Description |
|----------------------------|---------------|----------|---------------------|
| 75005596_4A7A5UP3_219510~P | * | | CONTROLS PARTS LIST |

CONTROLS

75005596

REV
A

Typical Illustration. Unit may not appear exactly as shown.



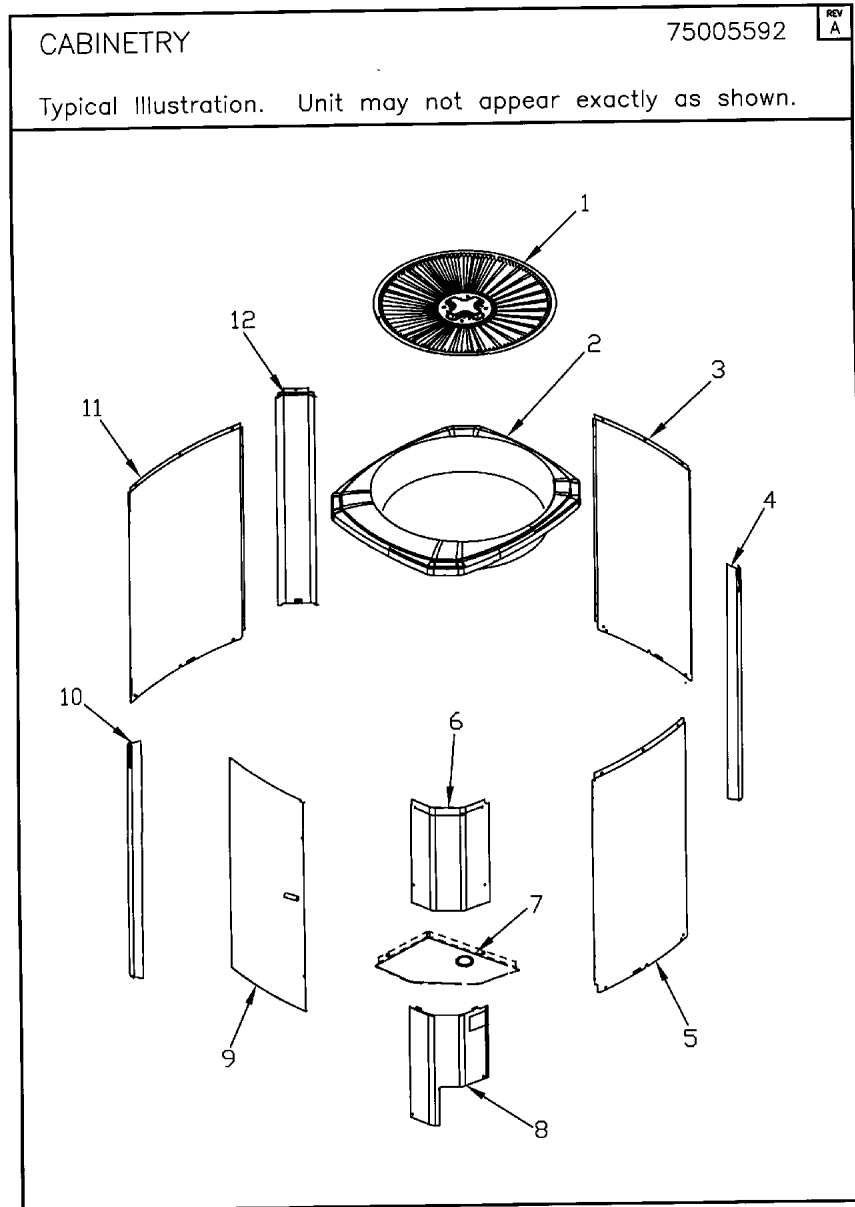
| Part No. | Reference No. | Quantity | Description |
|----------|---------------|----------|--|
| SHD00386 | * | 1 | SHIELD; MOISTURE, 12.75 X 5.00 |
| SHD00387 | * | 1 | SHIELD; MOISTURE, 10.25 X 4.00 |
| WIR03327 | * | 1 | WIRE, HARNESS-COMPRESSOR |
| PNL21731 | 1 | 1 | PANEL, CONTROL PANEL, 27.14 HEIGHT |
| SRP00093 | 2 | 1 | STRAP;CAPACITOR |
| CPT00659 | 3 | 1 | CAPACITOR; DUAL, 30/5 MFD, 440V, ROUND, W/O RESISTOR |
| CPT00320 | 4 | 1 | CAPACITOR; START, 176-216 MFD, 320V, ROUND, W/ RESISTOR |
| SRP00096 | 5 | 1 | STRAP;CAPACITOR |
| RLY03148 | 6 | 1 | RELAY, START, 50A COIL, 383 CONTINUOUS COIL RATING, 60 HZ, 160-170V HOT PICKUP, 153-165V PICK UP, 55-115V DROP OUT, 5600 COIL RESISTANCE |
| CTR00845 | 7 | 1 | CONTACTOR; 30 AMP, 240/480/600V, 24V COIL, 1 POLE |



Parts List Number :75005591#4A7A5UP3

Model Number :4A7A5024E1000AB

| Part No. | Reference No. | Quantity | Description |
|----------------------------|---------------|----------|---------------------|
| 75005592_4A7A5UP3_219506~P | * | | CABINETY PARTS LIST |



| Part No. | Reference No. | Quantity | Description |
|----------|---------------|----------|--|
| PAI00246 | * | 1 | PAINT; SPRAY, TARPAULIN GRAY (SHIPPING UOM 12 OZ HAZ) |
| PAI00248 | * | 1 | PAINT; 12 OZ SPRAY, ANTHRACITE GRAY (SHIPPING UOM 12 OZ HAZ) |
| PLT03590 | * | 1 | NAMEPLATE; AMERICAN STANDARD, RECTANGLE |
| SCR02010 | * | 19 | SCREW; 12-18 AB HXW 1/2 SN |
| GRL01347 | 1 | 1 | GRILLE; FAN, 25.51 MOUNTING DIA |
| COV04036 | 2 | 1 | COVER; TOP, 29.40 X 32.36, SPINNAKER GRAY |
| PNL14792 | 3 | 1 | PANEL; WRAPPER, 19.55 X 25.33 |
| PNL26276 | 4 | 1 | PANEL; CORNER POST, 3.5 x 25.3 |
| PNL14792 | 5 | 1 | PANEL; WRAPPER, 19.55 X 25.33 |
| COV04037 | 6 | 1 | COVER; CONTROLS, 11 x 18 INCHES |
| COV03228 | 7 | 1 | COVER, CONTROL BOTTOM |
| COV04139 | 8 | 1 | COVER; VALVE |
| PNL23811 | 9 | 1 | PANEL; ACCESS, 15.69 X 24.65 |
| PNL26276 | 10 | 1 | PANEL; CORNER POST, 3.5 x 25.3 |
| PNL23810 | 11 | 1 | PANEL; WRAPPER, 23.14 X 25.33 |
| PNL26276 | 12 | 1 | PANEL; CORNER POST, 3.5 x 25.3 |

MODEL NUMBER DESCRIPTION

75005587

REL
C

OUTDOOR UNITS

Example Model Number:

4 A 7 A 0 0 3 6 A 1 0 0 0 A A
1 - - - 5 - - - 10 - - - 15

Digit 1 – Refrigerant Type

- 2 = R-22
- 4 = R-410A

Digit 2 – American Standard

Digit 3 – Product Type

- 6,W = Split Heat Pump
- 7,T = Split Cooling

Digit 4 – Product Family

- V = Variable Speed
- Z = Leadership - Two Stage
- X = Leadership
- R = Replacement/Retail
- M or B = Basic
- A = Light Commercial
- L = Side Discharge

Digit 5 – Family SEER

- 3 = 13 7 = 17
- 4 = 14 8 = 18
- 5 = 15 9 = 19
- 6 = 16 0 = 20

Digits 6 – Split System Connections 1-6 Tons

- 0 = Brazed

Digits 7,8 – Nominal Capacity in 000s BTUs

Digit 9 – Major Design Modifications

Digit 10 – Power Supply

- 1 = 200-230/1/60 or 208-230/1/60
- 3 = 200-230/3/60
- 4 = 460/3/60

Digit 11,12,13 – Secondary Function

Digit 14 – Minor Design Modifications

Digit 15 – Unit Parts Identifier

| Part No. | Reference No. | Quantity | Description |
|----------------------------|---------------|----------|-------------------------------|
| 75005587_4A7A5UP3_215609~P | * | | MODEL NOMENCLATURE PARTS LIST |

MODEL NUMBER DESCRIPTION

75005587

REL
C

OUTDOOR UNITS

Example Model Number:

4 A 7 A 0 0 3 6 A 1 0 0 0 A A
1 - - - 5 - - - 10 - - - 15

Digit 1 – Refrigerant Type

2 = R-22
4 = R-410A

Digit 2 – American Standard

Digit 3 – Product Type

6,W = Split Heat Pump
7,T = Split Cooling

Digit 4 – Product Family

V = Variable Speed
Z = Leadership - Two Stage
X = Leadership
R = Replacement/Retail
M or B = Basic
A = Light Commercial
L = Side Discharge

Digit 5 – Family SEER

3 = 13 7 = 17
4 = 14 8 = 18
5 = 15 9 = 19
6 = 16 0 = 20

Digits 6 – Split System Connections 1-6 Tons

0 = Brazed

Digits 7,8 – Nominal Capacity in 000s BTUs

Digit 9 – Major Design Modifications

Digit 10 – Power Supply

1 = 200-230/1/60 or 208-230/1/60
3 = 200-230/3/60
4 = 460/3/60

Digit 11,12,13 – Secondary Function

Digit 14 – Minor Design Modifications

Digit 15 – Unit Parts Identifier

Parts List Number :75005591#4A7A5UP3

Model Number :4A7A5024E1000AB

| Part No. | Reference No. | Quantity | Description |
|---------------------------|---------------|----------|---|
| OPTIONS_4A7A5UP3_219511~P | * | | OPTIONAL FIELD INSTALLED ACCESSORIES PARTS LIST |

NO GRAPHIC AVAILABLE

75013702

REV
A

**NO
GRAPHIC
AVAILABLE**

Parts List Number :75005591#4A7A5UP3

Model Number :4A7A5024E1000AB

| Part No. | Reference No. | Quantity | Description |
|----------|---------------|----------|--|
| KIT05354 | * | 1 | KIT; TIME DELAY (TAYASCT501A) - 5 MINUTE RELAY ONLY IS RLY01343 |
| KIT07731 | * | 1 | KIT; SNOW LEGS, CONTAINS (4) 6" MOUNTING LEGS (BAYLEGS002) |
| KIT07732 | * | 1 | KIT; SNOW LEGS, (4" EXTENSION KIT) (BAYLEGS003) |
| KIT08036 | * | 1 | KIT; SEA COAST (BAYSEAC001) |
| KIT08087 | * | 1 | KIT; HEAD PRESSURE (BAYLOAM103) |
| KIT08163 | * | 1 | KIT; SUMP HEATER, 208/230V, CARTRIDGE STYLE FOR RECIPROCATING COMPRESSORS (BAYCCHT300), 74 IN LENGTH |
| KIT09425 | * | 1 | KIT; ISOLATOR (BAYISLT101) (CONTAINS A QTY OF 5 ISOLATORS) |
| KIT15282 | * | 1 | KIT; EXTREME MOUNTING CONDITION (BAYECMT023) |
| PAI00309 | * | 1 | PAINT; DARK BROWN, 12 OZ SPRAY CAN, HERESITE AIR DRY PHENOLIC COATING, VR-554T |