

<b>Part No.</b>	<b>Reference No.</b>	<b>Quantity</b>	<b>Description</b>
0000156173~S	*		CABINET
0000168308~S	*		COMPRESSOR
0000156172~S	*		CONTROLS
0000156171~S	*		FAN
0000156169~S	*		GENERAL ASSEMBLY
0000156170~S	*		REFRIGERATION

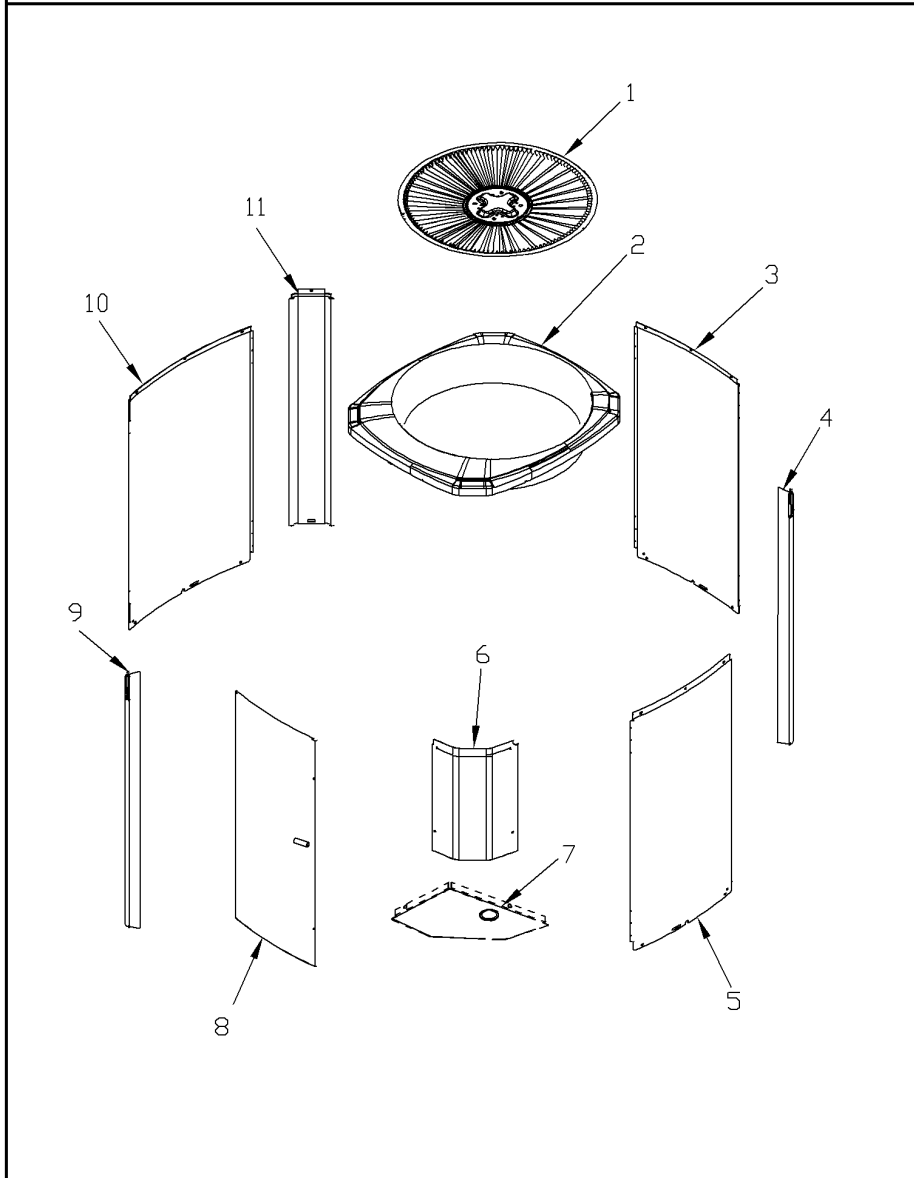
Part No.	Reference No.	Quantity	Description
0000030397~P	*		CABINERY PARTS LIST

CABINETY

75006805

REV  
A

Typical Illustration. Unit may not appear exactly as shown.



Part No.	Reference No.	Quantity	Description
BAS01834	*	1	BASE; 41.78 X 41.81 DIAGONALLY
PAI00074	*	0	PAINT; SPRAY, SLATE GREY, FULL GLOSS(88) (SHIPPING UOM 12 OZ HAZ)
PAI00207	*	0	PAINT; SPINNAKER GRAY (SHIPPING UOM 12 OZ HAZ) SPRAY CAN
SCR02010	*	17	SCREW; 12-18 AB HXW 1/2 SN
SCR02054	*	17	SCREW; 12-18 AB HXW 1/2 SN
COV04035	2	1	COVER; TOP, 37.00 X 34.00
PNL13181	3	1	PANEL; WRAPPER, 23.22 X 33.33
PNL26268	4	1	PANEL; CORNER POST, 3.5 x 33.3 INCHES
PNL13181	5	2	PANEL; WRAPPER, 23.22 X 33.33
COV04037	6	1	COVER; CONTROLS, 11 x 18 INCHES
COV03228	7	1	COVER, CONTROL BOTTOM
PNL13185	8	1	PANEL; ACCESS, 19.88 X 32.65
PNL26268	9	1	PANEL; CORNER POST, 3.5 x 33.3 INCHES
PNL13184	10	1	PANEL; WRAPPER, 27.12 X 33.33
PNL26268	11	1	PANEL; CORNER POST, 3.5 x 33.3 INCHES

Part No.	Reference No.	Quantity	Description
0000037395~P	*		COMPRESSOR PARTS LIST

Part No.	Reference No.	Quantity	Description
COM13702		1	COMPRESSOR; LCA034C1CPA SCROLL-13702

CONTROLS

Parts List Number :0000156154

Model Number :4A7A4042N1000AA

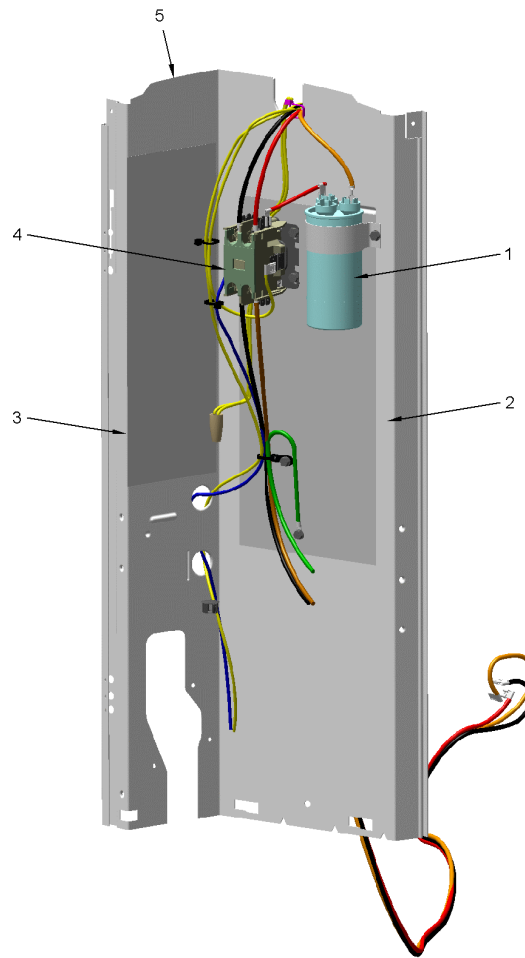
Part No.	Reference No.	Quantity	Description
0000030350~P	*		CONTROLS-COOLING

CONTROLS

75010701

REV  
A

TYPICAL ILLUSTRATION



Part No.	Reference No.	Quantity	Description
CON00241	*	1	CONNECTOR; WIRE
PAI00246	*	0	PAINT; SPRAY, TARPAULIN GRAY (SHIPPING UOM 12 OZ HAZ)
PLU00984	*	1	PLUG; LOCKING HOLE
SCR01918	*	5	SCREW, 10-24 THREAD ROLL, INDENT HEX WASHER HD
SRP00269	*	1	STRAP; CAPACITOR
TER00312	*	2	TERMINAL; 8IN. TIE CABLE
TIE00007	*	2	TIE;CABLE
WIR08044	*	1	WIRE; PLUG, COMPRESSOR HARNESS, 73 IN LENGTH
CPT02380	1	1	CAPACITOR; DUAL, 45/5 MFD, 370V, ROUND, W/O RESISTOR
SHD00386	2	1	SHIELD; MOISTURE, 12.75 X 5.00
SHD00387	3	1	SHIELD; MOISTURE, 10.25 X 4.00
CTR00845	4	1	CONTACTOR; 30 AMP, 240/480/600V, 24V COIL, 1 POLE
PNL13028	5	1	PANEL, CONTROL PANEL BASE, 35.14 HEIGHT

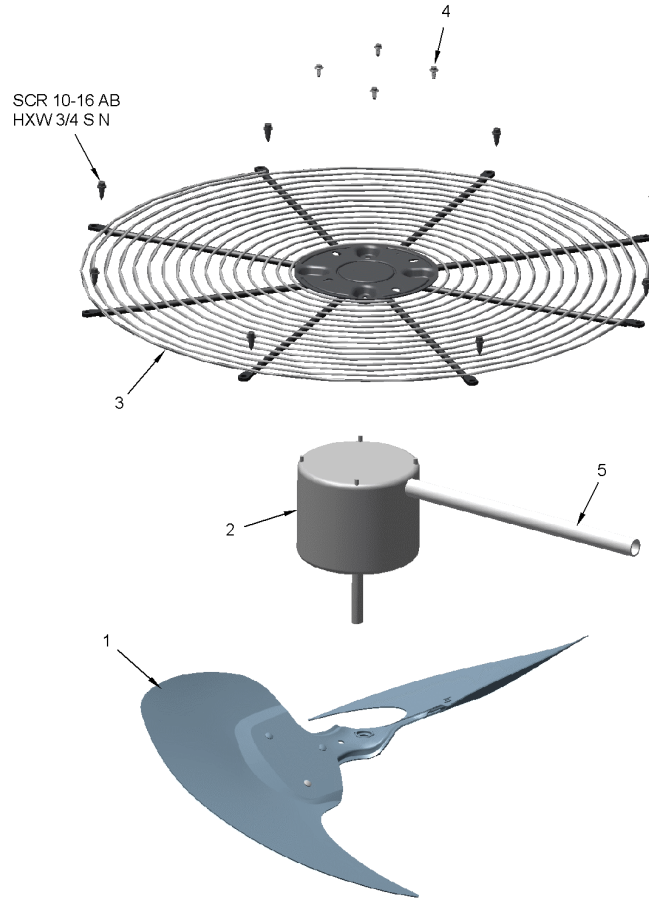
Part No.	Reference No.	Quantity	Description
0000030337~P	*		AIR SYSTEM

FAN

75010673

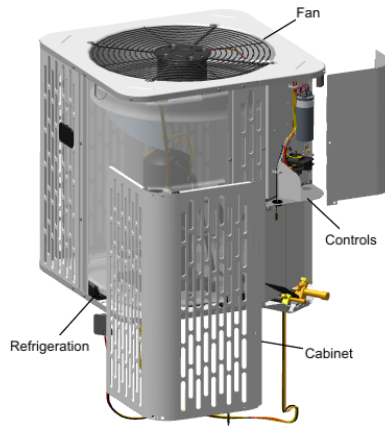
REV  
A

TYPICAL ILLUSTRATION

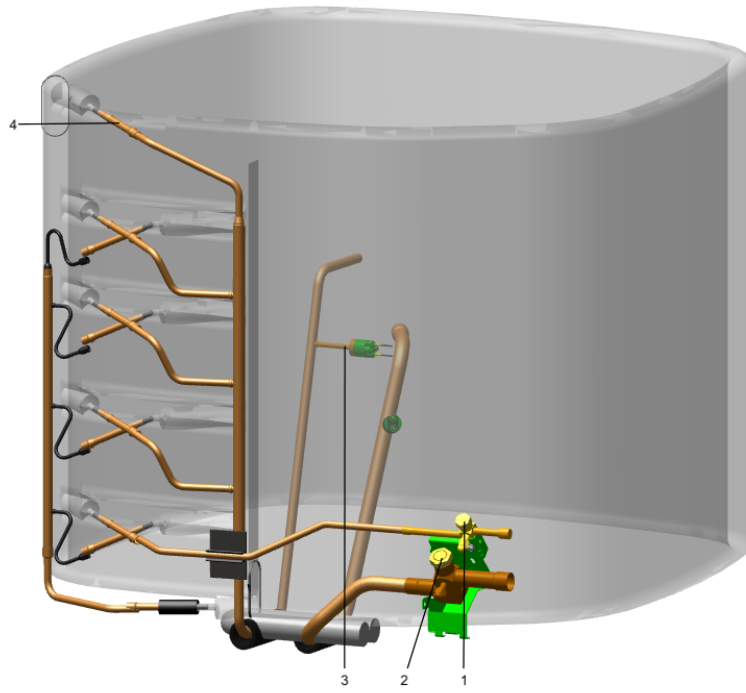


<b>Part No.</b>	<b>Reference No.</b>	<b>Quantity</b>	<b>Description</b>
FAN04460	1	1	FAN; 2 SWEPT BLADES, 27.5" DIA, 25.2 DEG PITCH, 0.50" BORE, CCW, ALUMINUM, 1 SET SCREW-STEEL, SPIDER 0.075 THK
MOT17346	2	1	MOTOR; 1/5 HP - 48 FRAME
GRL01348	3	1	GRILLE; FAN, 29 IN DIA, SPIRAL WIRE, BASALT GREY
SCR02086	4	4	SCREW; 10-32 TR-3 HXW 3/8 S
GRD01416	5	1	GUARD, TROUGH-LEAD

Part No.	Reference No.	Quantity	Description
0000004361~P	*		GENERAL ASSEMBLY GRAPHIC



Part No.	Reference No.	Quantity	Description
0000030273~P	*		REFRIGERANT SYSTEM



Part No.	Reference No.	Quantity	Description
BRK03696	*	1	BRACKET; VALVE
CAP00156	*	0	CAP, TUBE PLUG, .447-.513 OD
COL25747	*	0	COIL; SPINE FIN, 32.14W X 34.00H
SCR02010	*	4	SCREW; 12-18 AB HXW 1/2 SN
SCR02054	*	4	SCREW; 12-18 AB HXW 1/2 SN
TUB02810	*	10	TUBE; TRANSITION
VAL09293	*	1	VALVE, SERVICE LIQUID, .38 OD X .38 OD, VALVE ASSY
COL28467		1	COIL; CONDENSER, SPINE FIN
COM13702		1	COMPRESSOR; LCA034C1CPA SCROLL-13702
CAP01336	1	1	CAP; SERVICE LIQUID VALVE, BRASS, 0.75 OD X 0.57 ID X 11/16-28UN-2B
CAP01315	2	1	CAP; SERVICE LIQUID VALVE, BRASS, 1.06 OD X 0.81 ID X 15/16-20UNEF-2B
SWT03273	3	1	SWITCH, HIGH PRESSURE, SPST, OPEN @ 650 PSIG, CLOSE @ 500 PSIG, 88" YELLOW LEAD
TUB11547	4	10	TUBE; TRANSITION ASSEMBLY