

Part No.	Reference No.	Quantity	Description
0000156173~S	*		CABINET
0000203165~S	*		COMPRESSOR MOUNTING
0000168308~S	*		COMPRESSOR
0000156172~S	*		CONTROLS
0000156171~S	*		FAN
0000207426~S	*		FILTER DRIER
0000156169~S	*		GENERAL ASSEMBLY
0000156170~S	*		REFRIGERATION

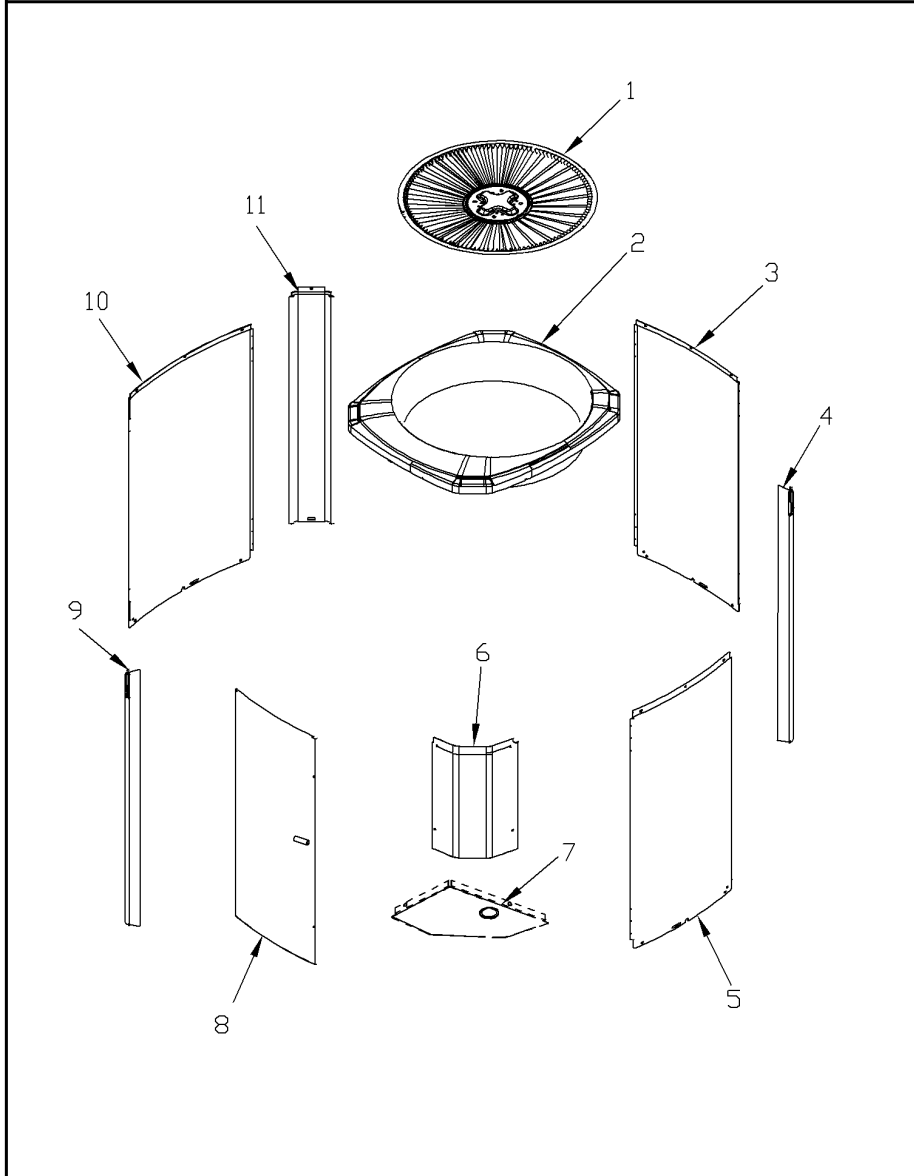
Part No.	Reference No.	Quantity	Description
0000030398~P	*		CABINETY PARTS LIST

CABINETY

75006805

REV
A

Typical Illustration. Unit may not appear exactly as shown.



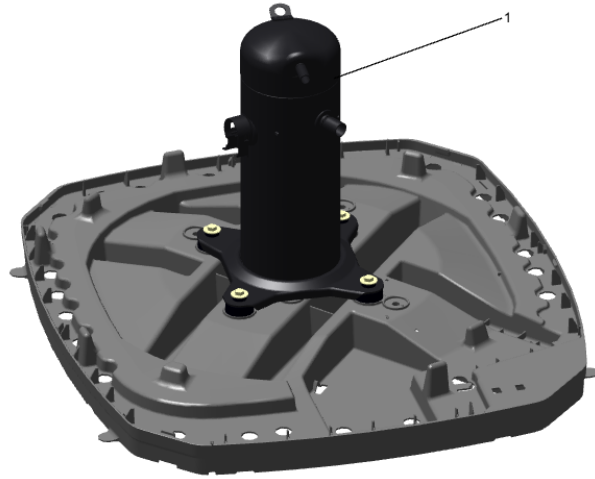
Part No.	Reference No.	Quantity	Description
BAS01833	*	1	BASE; 36.26 X 36.41 DIAGONALLY
PAI00074	*	0	PAINT; SPRAY, SLATE GREY, FULL GLOSS(88) (SHIPPING UOM 12 OZ HAZ)
PAI00207	*	0	PAINT; SPINNAKER GRAY (SHIPPING UOM 12 OZ HAZ) SPRAY CAN
SCR02010	*	14	SCREW; 12-18 AB HXW 1/2 SN
SCR02054	*	14	SCREW; 12-18 AB HXW 1/2 SN
COV04036	2	1	COVER; TOP, 29.40 X 32.36, SPINNAKER GRAY
PNL13161	3	1	PANEL; WRAPPER, 23.22 X 29.33
PNL26267	4	1	PANEL; CORNER POST, 3.5 x 29.3 INCHES
PNL13161	5	1	PANEL; WRAPPER, 23.22 X 29.33
COV04037	6	1	COVER; CONTROLS, 11 x 18 INCHES
COV03228	7	1	COVER, CONTROL BOTTOM
PNL13163	8	1	PANEL; ACCESS, 15.72 X 28.65
PNL26267	9	1	PANEL; CORNER POST, 3.5 x 29.3 INCHES
PNL13162	10	2	PANEL; WRAPPER, 19.55 X 29.33
PNL26267	11	1	PANEL; CORNER POST, 3.5 x 29.3 INCHES

COMPRESSOR

Parts List Number :0000156154

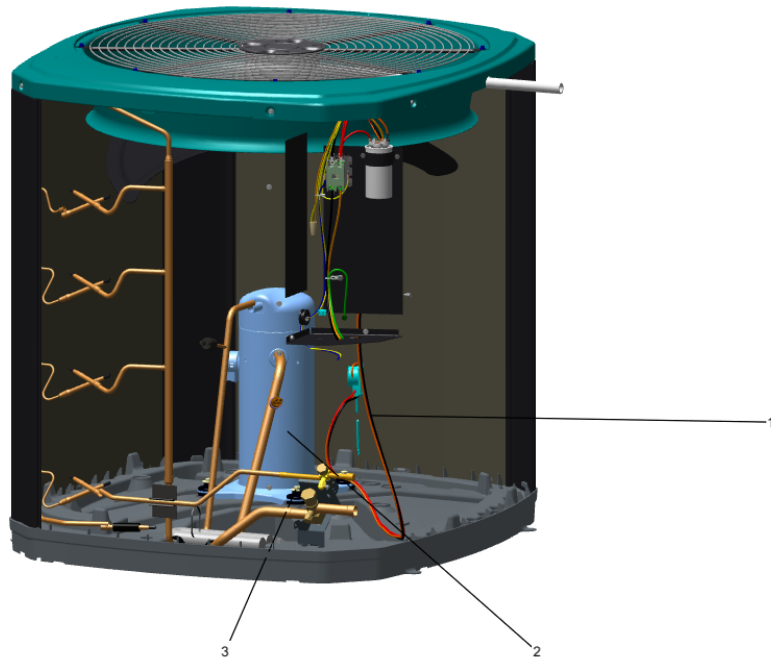
Model Number :4A7A4036N1000BA

Part No.	Reference No.	Quantity	Description
0000045159~P	*		SCROLL COMPRESSOR



Part No.	Reference No.	Quantity	Description
COM13866	1	1	COMPRESSOR; SCROLL, 3 TON, 208/230/60/1, STUB TUBE, R410A

Part No.	Reference No.	Quantity	Description
0000041298~P	*		COMPRESSOR MTG-SCROLL



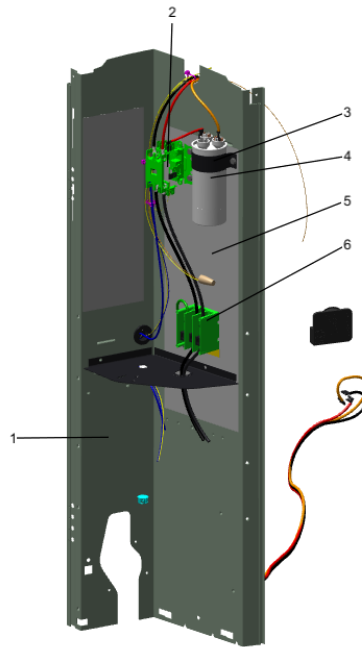
Part No.	Reference No.	Quantity	Description
ISR00007		4	ISOLATOR; VIBRATION
SCR01914		4	SCREW, ASSEMBLY COMPRESSOR, 5/16-12 TYPE B, W/WASHER & SLEEVE
KIT08039	3	4	KIT; GROMMETS. COMPRESSOR MOUNTING. (CONSISTS OF 4), 0.44 ID X 1.63 OD NEOPRENE RUBBER-BLACK 45-55 DUROMETER

CONTROLS

Parts List Number :0000156154

Model Number :4A7A4036N1000BA

Part No.	Reference No.	Quantity	Description
0000044850~P	*		CONTROLS-COOLING



Part No.	Reference No.	Quantity	Description
CON00241	*	1	CONNECTOR; WIRE
PAI00246	*	0	PAINT; SPRAY, TARPAULIN GRAY (SHIPPING UOM 12 OZ HAZ)
PLU00984	*	1	PLUG; LOCKING HOLE
SCR01918	*	5	SCREW, 10-24 THREAD ROLL, INDENT HEX WASHER HD
TER00312	*	3	TERMINAL; 8IN. TIE CABLE
TIE00007	*	3	TIE;CABLE
WIR03326	*	1	WIRE, PLUG-SCROLL COMPRESSOR
PNL13027	1	1	PANEL; CONTROL PANEL BASE, 31.14 HEIGHT
CTR02579	2	1	CONTACTOR; 1P 30A 24VAC / SCREWS
SRP00269	3	1	STRAP; CAPACITOR
CPT02380	4	1	CAPACITOR; DUAL, 45/5 MFD, 370V, ROUND, W/O RESISTOR
SHD00387	5	1	SHIELD; MOISTURE, 10.25 X 4.00

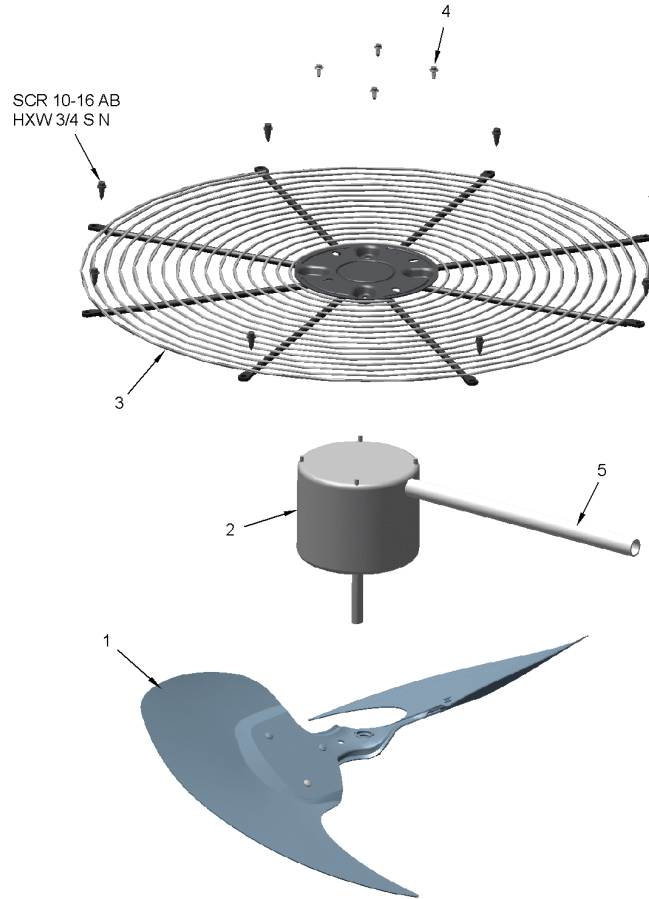
Part No.	Reference No.	Quantity	Description
0000044867~P	*		FAN PARTS LIST

FAN

75010673

REV
A

TYPICAL ILLUSTRATION

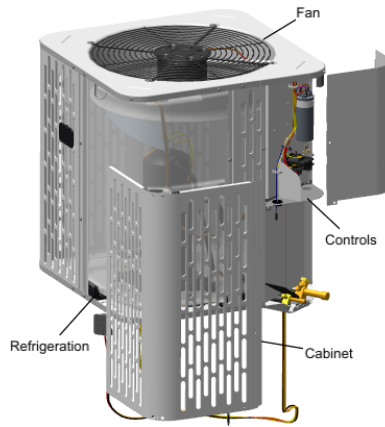


Part No.	Reference No.	Quantity	Description
FAN04634	1	1	FAN; 2 SWEPT BLADES, 23 IN DIA, 28 DEG PITCH, .50 IN BORE, CCW, ALUMINUM, 1 SET SCREW-STEEL, SPIDER .050 THK
MOT17918	2	1	MOTOR; 1/8 HP, 200/230/60/1, 825 RPM, 48 FRAME, PSC, SLEEVE BEARING, CCW
SCR02086	4	4	SCREW; 10-32 TR-3 HXW 3/8 S
GRD01415	5	1	GUARD, TROUGH-LEAD

Part No.	Reference No.	Quantity	Description
0000050986~P	*		FILTER DRIER

Part No.	Reference No.	Quantity	Description
DHY01619	1	1	DRIER; EXTERNAL

Part No.	Reference No.	Quantity	Description
0000004361~P	*		GENERAL ASSEMBLY GRAPHIC



Part No.	Reference No.	Quantity	Description
0000030276~P	*		REFRIGERANT SYSTEM

Part No.	Reference No.	Quantity	Description
SCR02010	*	4	SCREW; 12-18 AB HXW 1/2 SN
SCR02054	*	4	SCREW; 12-18 AB HXW 1/2 SN
TUB02810	*	8	TUBE; TRANSITION
TUB14578	*	1	TUBE; DISCHARGE
VAL09293	*	1	VALVE, SERVICE LIQUID, .38 OD X .38 OD, VALVE ASSY
COL25247		1	COIL; OUTDOOR, SPINE FIN
VAL20399		1	VALVE; SERVICE GAS ASSEMBLY, 0.75 ODS X 0.75 ODS, FEMALE BRAZE TO FEMALE BRAZE, LEFT HAND MOUNTING HOLES
CAP01336	1	1	CAP; SERVICE LIQUID VALVE, BRASS, 0.75 OD X 0.57 ID X 11/16-28UN-2B
CAP01315	2	1	CAP; SERVICE LIQUID VALVE, BRASS, 1.06 OD X 0.81 ID X 15/16-20UNEF-2B
SWT03274	3	1	SWITCH, HIGH PRESSURE, SPST, OPEN @ 650 PSIG, CLOSE @ 500 PSIG, 75" YELLOW LEAD
TUB11547	4	8	TUBE; TRANSITION ASSEMBLY