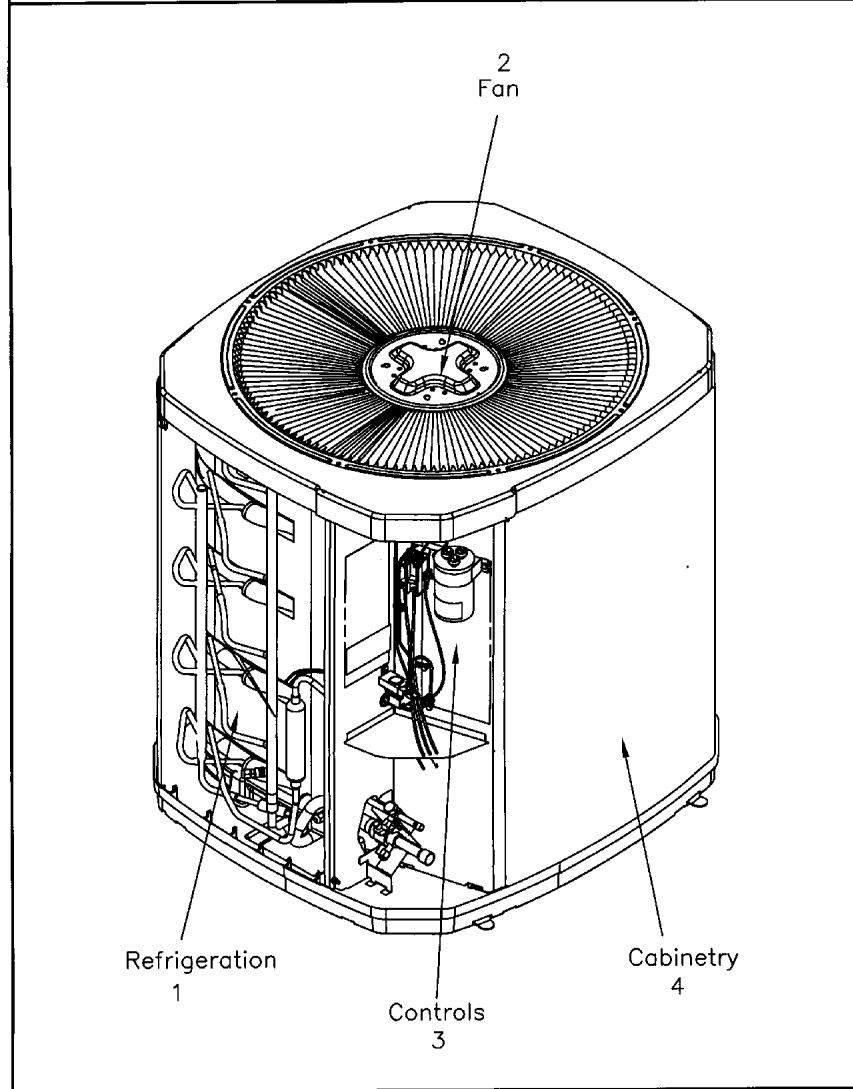


GENERAL ASSEMBLY

75005591

REV  
A

Typical Illustration. Unit may not appear exactly as shown.



| <b>Part No.</b>            | <b>Reference No.</b> | <b>Quantity</b> | <b>Description</b>                   |
|----------------------------|----------------------|-----------------|--------------------------------------|
| 75006805#4A7A4UP4~S        | *                    |                 | CABINTRY                             |
| 75010701#4A7A4UP4~S        | *                    |                 | CONTROLS                             |
| 75010676#4A7A4UP4~S        | *                    |                 | FAN                                  |
| 75005587#4A7A4UP4~S        | *                    |                 | MODEL NOMENCLATURE                   |
| OPTIONS#4A7A4UP4~S         | *                    |                 | OPTIONAL FIELD INSTALLED ACCESSORIES |
| 75009224#4A7A4UP4~S        | *                    |                 | REFRIGERATION                        |
| 75005591_4A7A4UP4_176766~P | *                    |                 | SPLIT SYSTEM COOLING PARTS LIST      |

GENERAL ASSEMBLY

75005591

REV  
A

Typical Illustration. Unit may not appear exactly as shown.



REFRIGERATION

75009224

REV  
A

Typical Illustration. Unit may not appear exactly as shown.



Parts List Number :75005591#4A7A4UP4

Model Number :4A7A4018L1000AA

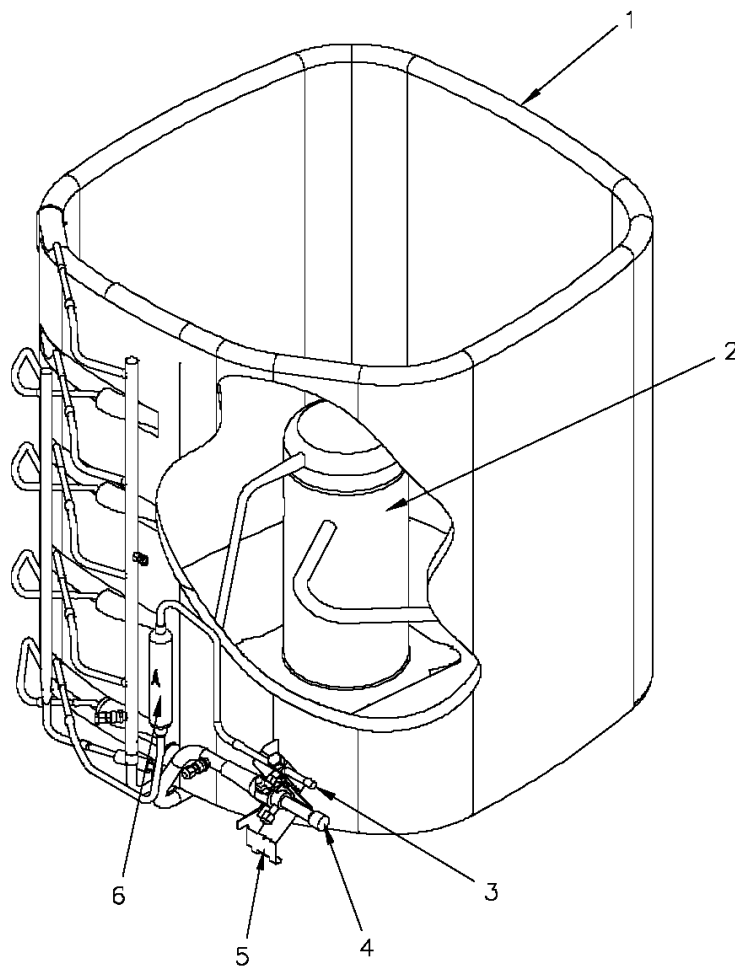
| Part No.                   | Reference No. | Quantity | Description              |
|----------------------------|---------------|----------|--------------------------|
| 75009224_4A7A4UP4_309505~P | *             |          | REFRIGERATION PARTS LIST |

REFRIGERATION

75009224

REV  
A

Typical Illustration. Unit may not appear exactly as shown.



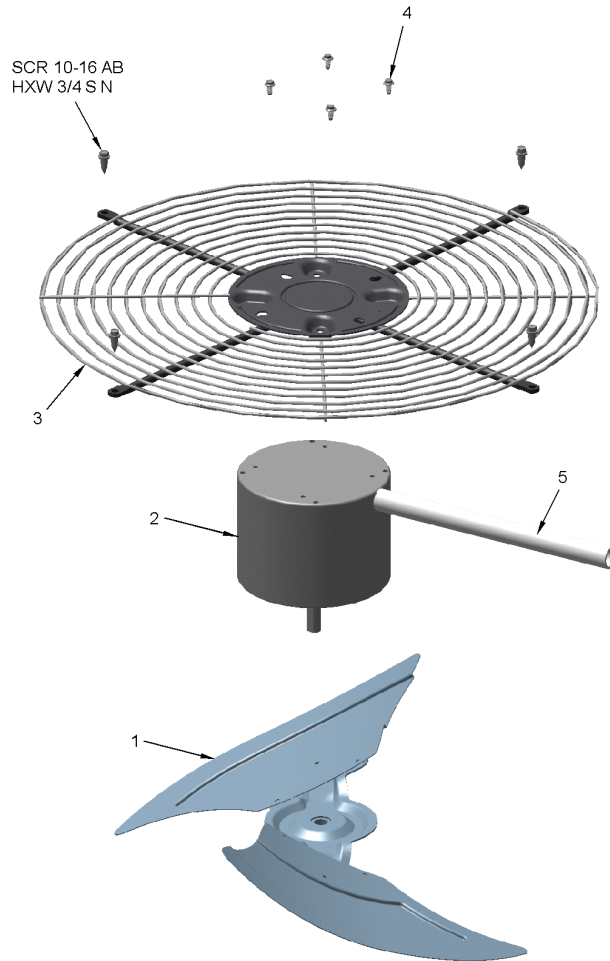
| Part No. | Reference No. | Quantity | Description   |
|----------|---------------|----------|---|
| ISR00007 | *             | 4        | ISOLATOR; VIBRATION   |
| PLU01186 | *             | 1        | PLUG; SCROLL COMPRESSOR   |
| SCR01914 | *             | 4        | SCREW, ASSEMBLY COMPRESSOR, 5/16-12 TYPE B, W/WASHER & SLEEVE   |
| SPC00386 | *             | 1        | SPACER; BASE, 5.50 X 1.00 X 0.50  |
| SWT03274 | *             | 1        | SWITCH, HIGH PRESSURE, SPST, OPEN @ 650 PSIG, CLOSE @ 500 PSIG, 75' YELLOW LEAD   |
| SWT03654 | *             | 1        | SWITCH; LOW PRESSURE, OPEN @ 50 PSIG, CLOSE @ 70 PSIG   |
| COL25244 | 1             | 1        | COIL; OUTDOOR, SPINE FIN  |
| COM11535 | 2             | 1        | COMPRESSOR; SCROLL, ALLIANCE, SBA014C1CPZ, 1.5 TON, 14,650 BTUH, 208/230-60-1, R410-A, BRAZED, SUCTION 3/4, DISCHARGE 1/2, RLA 10                   |
| VAL09293 | 3             | 1        | VALVE, SERVICE LIQUID, .38 OD X .38 OD, VALVE ASSY  |
| VAL11772 | 4             | 1        | VALVE; SERVICE GAS ASSEMBLY, 0.75 ODS X 0.75 ODS, WITH 0.25 SAE SERVICE PORT SERVICE  |
| BRK03696 | 5             | 1        | BRACKET; VALVE  |
| DHY01457 | 6             | 1        | DRIER; LIQUID LINE; SERVICE FIRST; 5 CU. IN.; 5.4 TON CAPACITY; 3/8" ODF INLET X 3/8" ODF OUTLET; APPROVED FOR MINERAL OIL AND POE OIL REFRIGERANTS |

FAN

75010676

REV  
A

TYPICAL ILLUSTRATION



Parts List Number :75005591#4A7A4UP4

Model Number :4A7A4018L1000AA

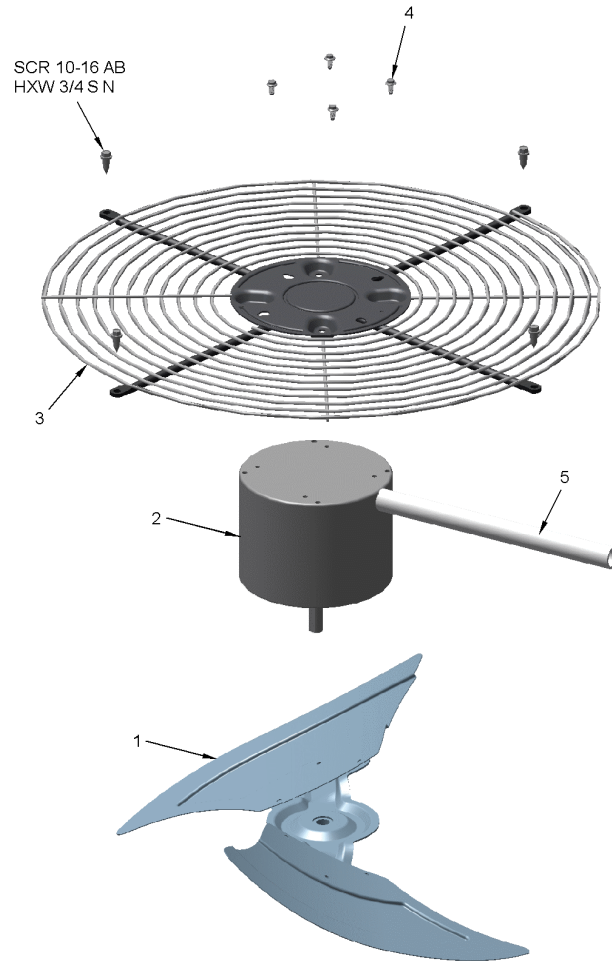
| Part No.                   | Reference No. | Quantity | Description    |
|----------------------------|---------------|----------|----------------|
| 75010676_4A7A4UP4_176770~P | *             |          | FAN PARTS LIST |

FAN

75010676

REV  
A

TYPICAL ILLUSTRATION



| <b>Part No.</b> | <b>Reference No.</b> | <b>Quantity</b> | <b>Description</b>   |
|-----------------|----------------------|-----------------|--|
| COV03250        | *                    | 1               | COVER; MOTOR, 6.86 DIA   |
| FAN04635        | 1                    | 1               | FAN; 2 SWEPT BLADES, 18.92 IN DIA, 28 DEG PITCH, 0.50 IN BORE, CCW, ALUMINUM, 1 SET SCREW-STEEL, SPIDER .050 THK |
| MOT10515        | 2                    | 1               | MOTOR; 1/8 HP, 200/230/60/1, 1075 RPM, 48 FRAME PSC, SLEEVE BEARINGS, CCW, 5 MFD @ 370V                          |
| GRL01366        | 3                    | 1               | GRILLE; FAN  |
| SCR02086        | 4                    | 4               | SCREW; 10-32 TR-3 HXW 3/8 S  |
| GRD01440        | 5                    | 1               | GUARD; TROUGH-LEAD   |

CONTROLS

75010701

REV  
A

TYPICAL ILLUSTRATION



Parts List Number :75005591#4A7A4UP4

Model Number :4A7A4018L1000AA

| Part No.                   | Reference No. | Quantity | Description         |
|----------------------------|---------------|----------|---------------------|
| 75010701_4A7A4UP4_309506~P | *             |          | CONTROLS PARTS LIST |

CONTROLS

75010701

REV  
A

TYPICAL ILLUSTRATION



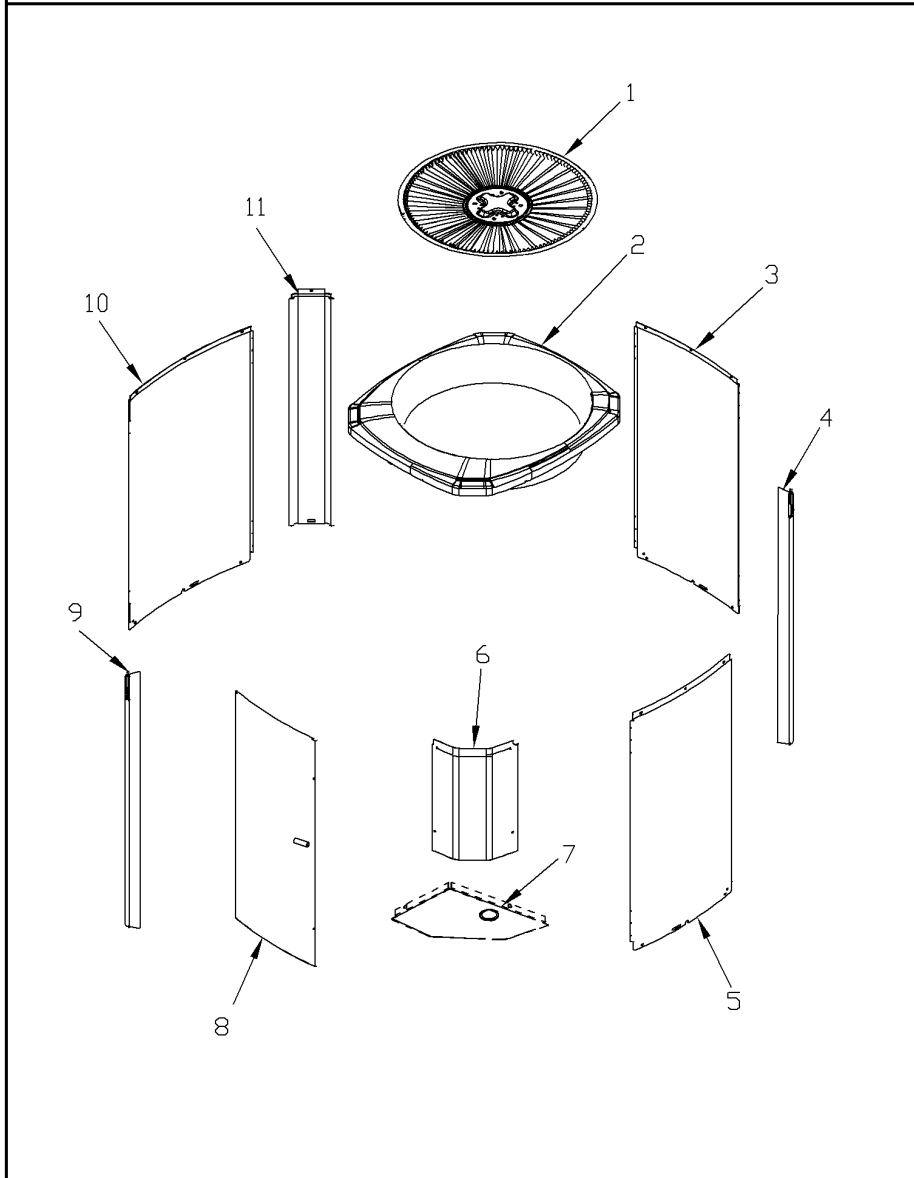
| Part No. | Reference No. | Quantity | Description  |
|----------|---------------|----------|--|
| PAI00248 | *             | 1        | PAINT; 12 OZ SPRAY, ANTHRACITE GRAY (SHIPPING UOM 12 OZ HAZ) |
| CPT01843 | 1             | 1        | CAPACITOR, RUN, 30/5 MFD, 370V, ROUND, W/O RESISTOR          |
| SHD00386 | 2             | 1        | SHIELD; MOISTURE, 12.75 X 5.00                               |
| SHD00387 | 3             | 1        | SHIELD; MOISTURE, 10.25 X 4.00                               |
| CTR00845 | 4             | 1        | CONTACTOR; 30 AMP, 240/480/600V, 24V COIL, 1 POLE            |
| PNL14732 | 5             | 1        | PANEL; CONTROL PANEL BASE, 27.14 HEIGHT                      |

CABINETY

75006805

REV  
A

Typical Illustration. Unit may not appear exactly as shown.



Parts List Number :75005591#4A7A4UP4

Model Number :4A7A4018L1000AA

| Part No.                   | Reference No. | Quantity | Description         |
|----------------------------|---------------|----------|---------------------|
| 75006805_4A7A4UP4_176768~P | *             |          | CABINETY PARTS LIST |

CABINETY

75006805

REV  
A

Typical Illustration. Unit may not appear exactly as shown.



| Part No. | Reference No. | Quantity | Description  |
|----------|---------------|----------|--|
| BAS02187 | *             | 1        | BASE; 31.31 X 31.49 DIAGONALLY                           |
| PAI00207 | *             | 1        | PAINT; SPINNAKER GRAY (SHIPPING UOM 12 OZ HAZ) SPRAY CAN |
| SCR02010 | *             | 18       | SCREW; 12-18 AB HXW 1/2 SN                               |
| GRL01366 | 1             | 1        | GRILLE; FAN  |
| COV04884 | 2             | 1        | COVER; TOP, 28.13 X 25.40                                |
| PNL14793 | 3             | 1        | PANEL; WRAPPER, 16.29 X 25.33                            |
| PNL26276 | 4             | 1        | PANEL; CORNER POST, 3.5 x 25.3                           |
| PNL14793 | 5             | 1        | PANEL; WRAPPER, 16.29 X 25.33                            |
| COV04883 | 6             | 1        | COVER; CONTROLS, 16.18 X 11.00                           |
| COV03287 | 7             | 1        | COVER; CONTROL BOTTOM                                    |
| PNL14794 | 8             | 1        | PANEL; ACCESS, 12.02 X 24.65                             |
| PNL26276 | 9             | 1        | PANEL; CORNER POST, 3.5 x 25.3                           |
| PNL14792 | 10            | 1        | PANEL; WRAPPER, 19.55 X 25.33                            |
| PNL26276 | 11            | 1        | PANEL; CORNER POST, 3.5 x 25.3                           |

MODEL NUMBER DESCRIPTION

75005587

REL  
C

OUTDOOR UNITS

*Example Model Number:*

**4 A 7 A 0 0 3 6 A 1 0 0 0 A A**  
1 - - - 5 - - - 10 - - - 15

**Digit 1 – Refrigerant Type**

- 2 = R-22
- 4 = R-410A

**Digit 2 – American Standard**

**Digit 3 – Product Type**

- 6,W = Split Heat Pump
- 7,T = Split Cooling

**Digit 4 – Product Family**

- V = Variable Speed
- Z = Leadership - Two Stage
- X = Leadership
- R = Replacement/Retail
- M or B = Basic
- A = Light Commercial
- L = Side Discharge

**Digit 5 – Family SEER**

- 3 = 13      7 = 17
- 4 = 14      8 = 18
- 5 = 15      9 = 19
- 6 = 16      0 = 20

**Digits 6 – Split System Connections 1-6 Tons**

- 0 = Brazed

**Digits 7,8 – Nominal Capacity in 000s BTUs**

**Digit 9 – Major Design Modifications**

**Digit 10 – Power Supply**

- 1 = 200-230/1/60 or 208-230/1/60
- 3 = 200-230/3/60
- 4 = 460/3/60

**Digit 11,12,13 – Secondary Function**

**Digit 14 – Minor Design Modifications**

**Digit 15 – Unit Parts Identifier**

| Part No.                   | Reference No. | Quantity | Description                   |
|----------------------------|---------------|----------|-------------------------------|
| 75005587_4A7A4UP4_176767~P | *             |          | MODEL NOMENCLATURE PARTS LIST |

MODEL NUMBER DESCRIPTION

75005587

REL  
C

OUTDOOR UNITS

*Example Model Number:*

**4 A 7 A 0 0 3 6 A 1 0 0 0 A A**  
1 - - - 5 - - - 10 - - - 15

**Digit 1 – Refrigerant Type**

2 = R-22  
4 = R-410A

**Digit 2 – American Standard**

**Digit 3 – Product Type**

6,W = Split Heat Pump  
7,T = Split Cooling

**Digit 4 – Product Family**

V = Variable Speed  
Z = Leadership - Two Stage  
X = Leadership  
R = Replacement/Retail  
M or B = Basic  
A = Light Commercial  
L = Side Discharge

**Digit 5 – Family SEER**

3 = 13      7 = 17  
4 = 14      8 = 18  
5 = 15      9 = 19  
6 = 16      0 = 20

**Digits 6 – Split System Connections 1-6 Tons**

0 = Brazed

**Digits 7,8 – Nominal Capacity in 000s BTUs**

**Digit 9 – Major Design Modifications**

**Digit 10 – Power Supply**

1 = 200-230/1/60 or 208-230/1/60  
3 = 200-230/3/60  
4 = 460/3/60

**Digit 11,12,13 – Secondary Function**

**Digit 14 – Minor Design Modifications**

**Digit 15 – Unit Parts Identifier**

Parts List Number :75005591#4A7A4UP4

Model Number :4A7A4018L1000AA

| Part No.                  | Reference No. | Quantity | Description                                     |
|---------------------------|---------------|----------|---|
| OPTIONS_4A7A4UP4_309507~P | *             |          | OPTIONAL FIELD INSTALLED ACCESSORIES PARTS LIST |

NO GRAPHIC AVAILABLE

75013702

REV  
A

**NO  
GRAPHIC  
AVAILABLE**

Parts List Number :75005591#4A7A4UP4

Model Number :4A7A4018L1000AA

| Part No.   | Reference No. | Quantity | Description   |
|------------|---------------|----------|---|
| BAYKSKT263 | *             | 1        | KIT; COMPRESSOR START KIT   |
| KIT05354   | *             | 1        | KIT; TIME DELAY (TAYASCT501A) - 5 MINUTE RELAY ONLY IS RLY01343   |
| KIT06322   | *             | 1        | KIT; LOW TEMP COOLING (AY28X079)  |
| KIT07731   | *             | 1        | KIT; SNOW LEGS, CONTAINS (4) 6" MOUNTING LEGS (BAYLEGS002)  |
| KIT07732   | *             | 1        | KIT; SNOW LEGS, (4" EXTENSION KIT) (BAYLEGS003)   |
| KIT08036   | *             | 1        | KIT; SEA COAST (BAYSEAC001)   |
| KIT08087   | *             | 1        | KIT; HEAD PRESSURE (BAYLOAM103)   |
| KIT08412   | *             | 1        | KIT; SOUND ENCLOSURE, (BAYSDEN003), (MODELS WITH SMALL FRAME (QUANTUM) SCROLL COMPRESSORS NO LARGER THAN 16.4" TALL OR 6.6" IN DIAMETER EXCEPT IN CABINET HEIGHTS 25.0" OR SHORTER) |
| KIT09425   | *             | 1        | KIT; ISOLATOR (BAYISLT101) (CONTAINS A QTY OF 5 ISOLATORS)  |
| KIT15282   | *             | 1        | KIT; EXTREME MOUNTING CONDITION (BAYECMT023)  |
| KIT15752   | *             | 1        | KIT; SUMP HEATER, 208/230V, 40W, BELLY BAND STYLE (BAYCCHT302), 74 IN LENGTH, 5.5 INCH DIA  |
| PAI00309   | *             | 1        | PAINT; DARK BROWN, 12 OZ SPRAY CAN, HERESITE AIR DRY PHENOLIC COATING, VR-554T  |