

| <b>Part No.</b> | <b>Reference No.</b> | <b>Quantity</b> | <b>Description</b>       |
|-----------------|----------------------|-----------------|--------------------------|
| 0000156173~S    | *                    |                 | CABINET                  |
| 0000156172~S    | *                    |                 | CONTROLS                 |
| 0000156171~S    | *                    |                 | FAN                      |
| 0000156169~S    | *                    |                 | GENERAL ASSEMBLY         |
| 0000156174~S    | *                    |                 | MODEL NUMBER DESCRIPTION |
| 0000156170~S    | *                    |                 | REFRIGERATION            |

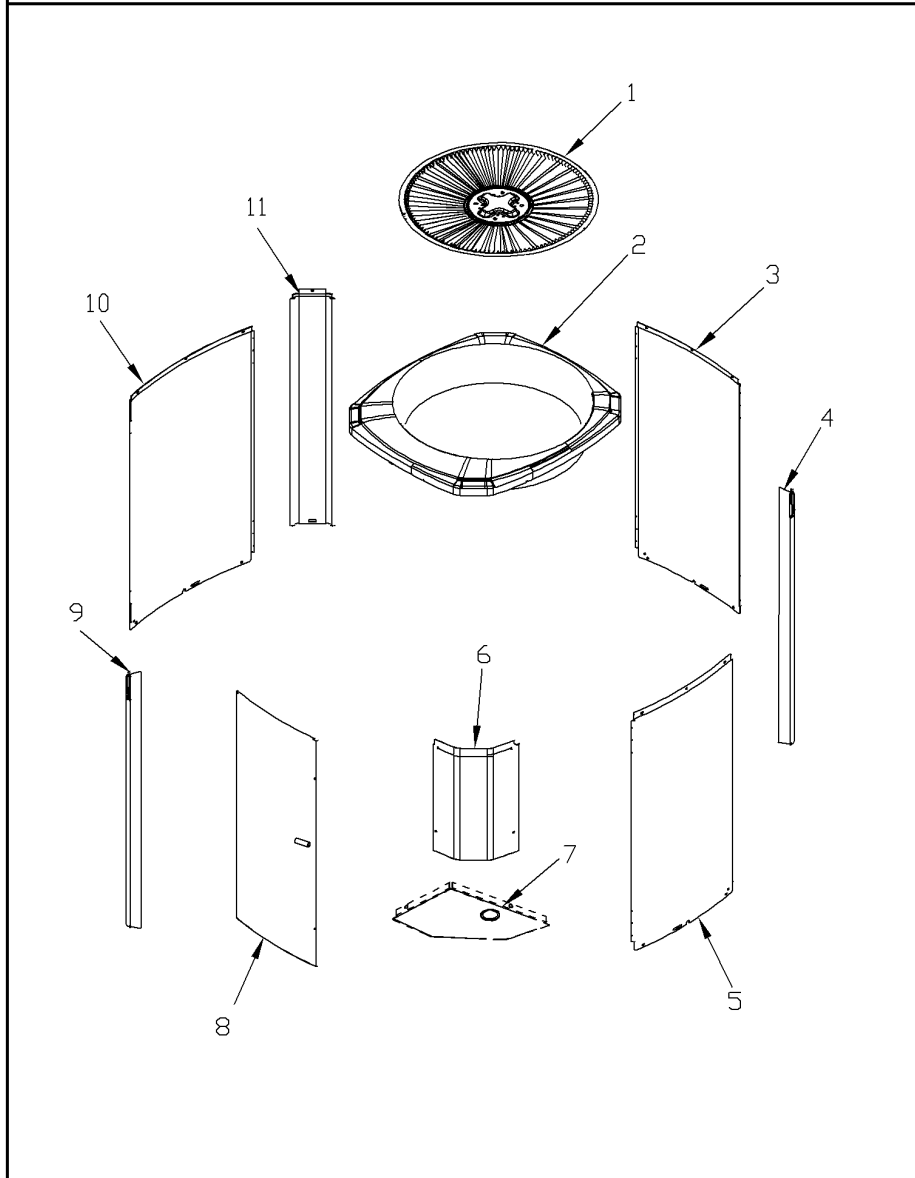
| Part No.     | Reference No. | Quantity | Description        |
|--------------|---------------|----------|--------------------|
| 0000032261~P | *             |          | CABINET PARTS LIST |

CABINETRY

75006805

REV  
A

Typical Illustration. Unit may not appear exactly as shown.



| Part No. | Reference No. | Quantity | Description   |
|----------|---------------|----------|---|
| BAS01834 | *             | 1        | BASE; 41.78 X 41.81 DIAGONALLY                                    |
| PAI00074 | *             | 0        | PAINT; SPRAY, SLATE GREY, FULL GLOSS(88) (SHIPPING UOM 12 OZ HAZ) |
| PAI00207 | *             | 0        | PAINT; SPINNAKER GRAY (SHIPPING UOM 12 OZ HAZ) SPRAY CAN          |
| SCR02010 | *             | 19       | SCREW; 12-18 AB HXW 1/2 SN  |
| SCR02054 | *             | 19       | SCREW; 12-18 AB HXW 1/2 SN  |
| COV04035 | 2             | 1        | COVER; TOP, 37.00 X 34.00   |
| PNL25663 | 3             | 1        | PANEL; WRAPPER, 41.33 X 27.00                                     |
| COV04038 | 6             | 1        | COVER; CONTROLS, 11 x 26 INCHES                                   |
| COV03228 | 7             | 1        | COVER, CONTROL BOTTOM   |
| PNL25665 | 8             | 1        | PANEL; ACCESS, 40.65 X 19.79                                      |
| PNL25664 | 10            | 2        | PANEL; WRAPPER, 41.33 X 22.98                                     |
| PNL26270 | 11            | 3        | PANEL; CORNER POST, 3.5 x 41.3 INCHES                             |

CONTROLS

Parts List Number :0000156154

Model Number :4A6H7060A1000D

| Part No.    | Reference No. | Quantity | Description        |
|-------------|---------------|----------|--------------------|
| 000032196~P | *             |          | CONTROLS-HEAT PUMP |

| Part No. | Reference No. | Quantity | Description  |
|----------|---------------|----------|--|
| CLP00185 | *             | 1        | CLIP; TDL  |
| CNT07029 | *             | 1        | CONTROL; EEV BOARD ASSEMBLY  |
| CON00241 | *             | 3        | CONNECTOR; WIRE  |
| HTR12895 | *             | 1        | HEATER; CRANKCASE, 40 WATT, 230V, 6.5 DIA  |
| PAI00246 | *             | 0        | PAINT; SPRAY, TARPULIN GRAY (SHIPPING UOM 12 OZ HAZ)   |
| PLU01057 | *             | 1        | PLUG; COMPRESSOR SOLENOID, 2 LEADS, WHITE WIRES, 85 IN LENGTH  |
| SCR01089 | *             | 1        | SCREW; 10-24C HXW 3/4 S N  |
| SCR01812 | *             | 2        | SCREW; 6-32 MA HXW 3/8 S   |
| SCR01918 | *             | 8        | SCREW, 10-24 THREAD ROLL, INDENT HEX WASHER HD   |
| SCR01924 | *             | 7        | SCREW; 6-32 X .75, THREAD ROLLING SCREWS-ZINC PLATED, HEX WASHER   |
| SEN02352 | *             | 1        | SENSOR; ASSEMBLY, AMBIENT, 19 IN WIRE LENGTH, -40C TO 105C OP TEMP RANGE, 14 IN WIRE LENGTH, BLACK WIRES |
| SEN02892 | *             | 1        | SENSOR; SUCTION  |
| SRP00269 | *             | 1        | STRAP; CAPACITOR   |
| TDR00365 | *             | 1        | TRANSDUCER, FOUR PIN OUTDOOR PRESSURE SENSOR, SUCTION LINE   |
| THT02681 | *             | 1        | THERMOSTAT; TERMINATOR, 240V, SPST, OPEN AT 105F, CLOSE AT 73F, PR/WH WIRES, 89 IN LENGTH                |
| TIE00023 | *             | 5        | TIE;CABLE, 8.00IN.   |
| WIR04816 | *             | 1        | WIRE; PLUG-SCROLL COMPRESSOR   |
| SEN02907 | 1             | 1        | SENSOR; COIL, 5/16 CLIP, YELLOW WIRES, 54 IN LENGTH  |
| SHD00387 | 2             | 2        | SHIELD; MOISTURE, 10.25 X 4.00   |
| WIR09433 | 3             | 1        | WIRE; HARNESS-CONTROL PANEL  |
| COL15628 | 4             | 1        | COIL; MOTOR ASM-EEV, STATOR (SC)   |
| RTF00058 | 5             | 1        | RECTIFIER; BRIDGE  |
| CTR01028 | 6             | 1        | CONTACTOR; 2P, 40A 600V CONTACTS, 24 CV, 60HZ  |
| CPT01032 | 7             | 1        | CAPACITOR; DUAL, 40/7.5 MFD, 440V, ROUND, W/O RESISTOR   |
| CNT05010 | 8             | 1        | CONTROL; DEFROST   |
| SHD00386 | 9             | 2        | SHIELD; MOISTURE, 12.75 X 5.00   |
| PNL25790 | 10            | 1        | PANEL, CONTROL PANEL BASE, 39.14 HEIGHT  |

| Part No.     | Reference No. | Quantity | Description    |
|--------------|---------------|----------|----------------|
| 0000032168~P | *             |          | FAN PARTS LIST |

FAN

75010673

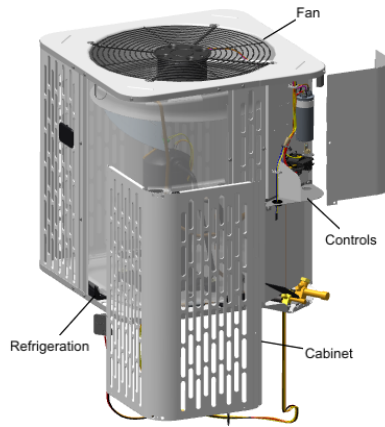
REV  
A

TYPICAL ILLUSTRATION



| <b>Part No.</b> | <b>Reference No.</b> | <b>Quantity</b> | <b>Description</b>   |
|-----------------|----------------------|-----------------|--|
| FAN04368        | 1                    | 1               | FAN, 3 SWEPT BLADE, 27.5" DIA, 26 DEG PITCH, 0.50" BORE, CCW, ALUMINUM |
| MOT19414        | 2                    | 1               | MOTOR; 1/4 HP 48 FRAME PSC   |
| GRL01348        | 3                    | 1               | GRILLE; FAN, 29 IN DIA, SPIRAL WIRE, BASALT GREY                       |
| SCR02086        | 4                    | 4               | SCREW; 10-32 TR-3 HXW 3/8 S  |
| GRD01416        | 5                    | 1               | GUARD, TROUGH-LEAD   |

| Part No.     | Reference No. | Quantity | Description              |
|--------------|---------------|----------|--------------------------|
| 0000004361~P | *             |          | GENERAL ASSEMBLY GRAPHIC |



| Part No.     | Reference No. | Quantity | Description                         |
|--------------|---------------|----------|-------------------------------------|
| 0000029224~P | *             |          | MODEL NUMBER DESCRIPTION PARTS LIST |

MODEL NUMBER DESCRIPTION

75005587

REL  
C

OUTDOOR UNITS

*Example Model Number:*

**4 A 7 A 0 0 3 6 A 1 0 0 0 A A**  
1 - - - 5 - - - 10 - - - 15

**Digit 1 – Refrigerant Type**

2 = R-22  
4 = R-410A

**Digit 2 – American Standard**

**Digit 3 – Product Type**

6,W = Split Heat Pump  
7,T = Split Cooling

**Digit 4 – Product Family**

V = Variable Speed  
Z = Leadership - Two Stage  
X = Leadership  
R = Replacement/Retail  
M or B = Basic  
A = Light Commercial  
L = Side Discharge

**Digit 5 – Family SEER**

3 = 13      7 = 17  
4 = 14      8 = 18  
5 = 15      9 = 19  
6 = 16      0 = 20

**Digits 6 – Split System Connections 1-6 Tons**

0 = Brazed

**Digits 7,8 – Nominal Capacity in 000s BTUs**

**Digit 9 – Major Design Modifications**

**Digit 10 – Power Supply**

1 = 200-230/1/60 or 208-230/1/60  
3 = 200-230/3/60  
4 = 460/3/60

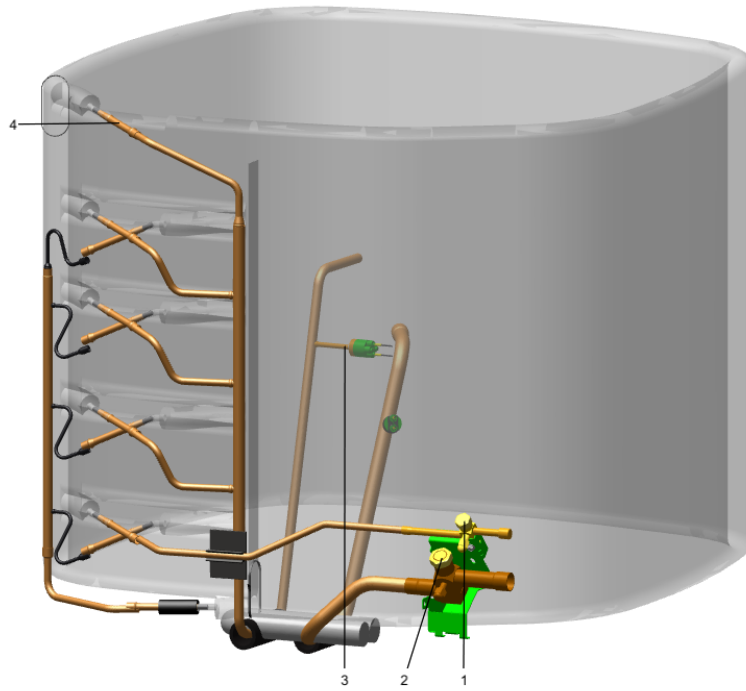
**Digit 11,12,13 – Secondary Function**

**Digit 14 – Minor Design Modifications**

**Digit 15 – Unit Parts Identifier**

| <b>Part No.</b> | <b>Reference No.</b> | <b>Quantity</b> | <b>Description</b> |
|-----------------|----------------------|-----------------|--------------------|
| 0000032252~P    | *                    |                 | COMPRESSOR         |
| 0000032136~P    | *                    |                 | REFRIGERANT SYSTEM |

| Part No. | Reference No. | Quantity | Description   |
|----------|---------------|----------|---|
| COM11908 | *             | 1        | COMPRESSOR; SCROLL, ALLIANCE, TXA049B1CTA, 4.0 TON, 208V-230V/60/1, R-410A, 7/8 SUCTION, 1/2 DISCHARGE, STUB TUBE |



| Part No. | Reference No. | Quantity | Description   |
|----------|---------------|----------|---|
| ACC00168 | *             | 1        | ACCUMULATOR; .877 INLET, 13.13 L  |
| BRK03020 | *             | 1        | BRACKET; VALVE  |
| CAP00455 | *             | 2        | CAP; HUB, 7/16-20 STRAIGHT  |
| CAP01336 | *             | 1        | CAP; SERVICE LIQUID VALVE, BRASS, 0.75 OD X 0.57 ID X 11/16-28UN-2B   |
| CAP01412 | *             | 1        | CAP; SERVICE VALVE, BRASS, 1.00 OD X 0.57 ID X M18 X 1-6H   |
| COR00103 | *             | 3        | CORE; VALVE, .79 LENGTH, .206-36 UNS-1 MOD. THD   |
| MFL00806 | *             | 1        | MUFFLER; 1/2 ODF CONNECTION (DRIER COULD BE PAINTED EITHER SMOKE GRAY OR NAVY BLUE)                               |
| MNT00479 | *             | 1        | MOUNT; VIBRATION ISOLATOR, COMPRESSOR   |
| PAI00246 | *             | 0        | PAINT; SPRAY, TARPAULIN GRAY (SHIPPING UOM 12 OZ HAZ)   |
| PLU00417 | *             | 0        | PLUG; TUBE  |
| PLU00424 | *             | 0        | PLUG;TUBE   |
| SCR01914 | *             | 1        | SCREW, ASSEMBLY COMPRESSOR, 5/16-12 TYPE B, W/WASHER & SLEEVE   |
| SCR02010 | *             | 3        | SCREW; 12-18 AB HXW 1/2 SN  |
| SCR02054 | *             | 3        | SCREW; 12-18 AB HXW 1/2 SN  |
| SWT04455 | *             | 1        | SWITCH; LOW PRESSURE BZ   |
| TUB02810 | *             | 14       | TUBE; TRANSITION  |
| TUB11547 | *             | 14       | TUBE; TRANSITION ASSEMBLY   |
| VAL08884 | *             | 1        | VALVE; SWITCHOVER, 6 TON, 5/8 IN ODF X 7/8 IDF CONNECTION (INCLUDES SOLENOID COIL)                                |
| VAL11170 | *             | 1        | VALVE; EEV, 1.8 MM, FOR 4 TON   |
| VAL20231 | *             | 1        | VALVE; SER GAS 0 (14-14-14)   |
| COM11908 |               | 1        | COMPRESSOR; SCROLL, ALLIANCE, TXA049B1CTA, 4.0 TON, 208V-230V/60/1, R-410A, 7/8 SUCTION, 1/2 DISCHARGE, STUB TUBE |
| SWT03273 | 3             | 1        | SWITCH, HIGH PRESSURE, SPST, OPEN @ 650 PSIG, CLOSE @ 500 PSIG, 88" YELLOW LEAD                                   |
| TUB15731 | 4             | 1        | TUBE; TU ASM-VLV  |