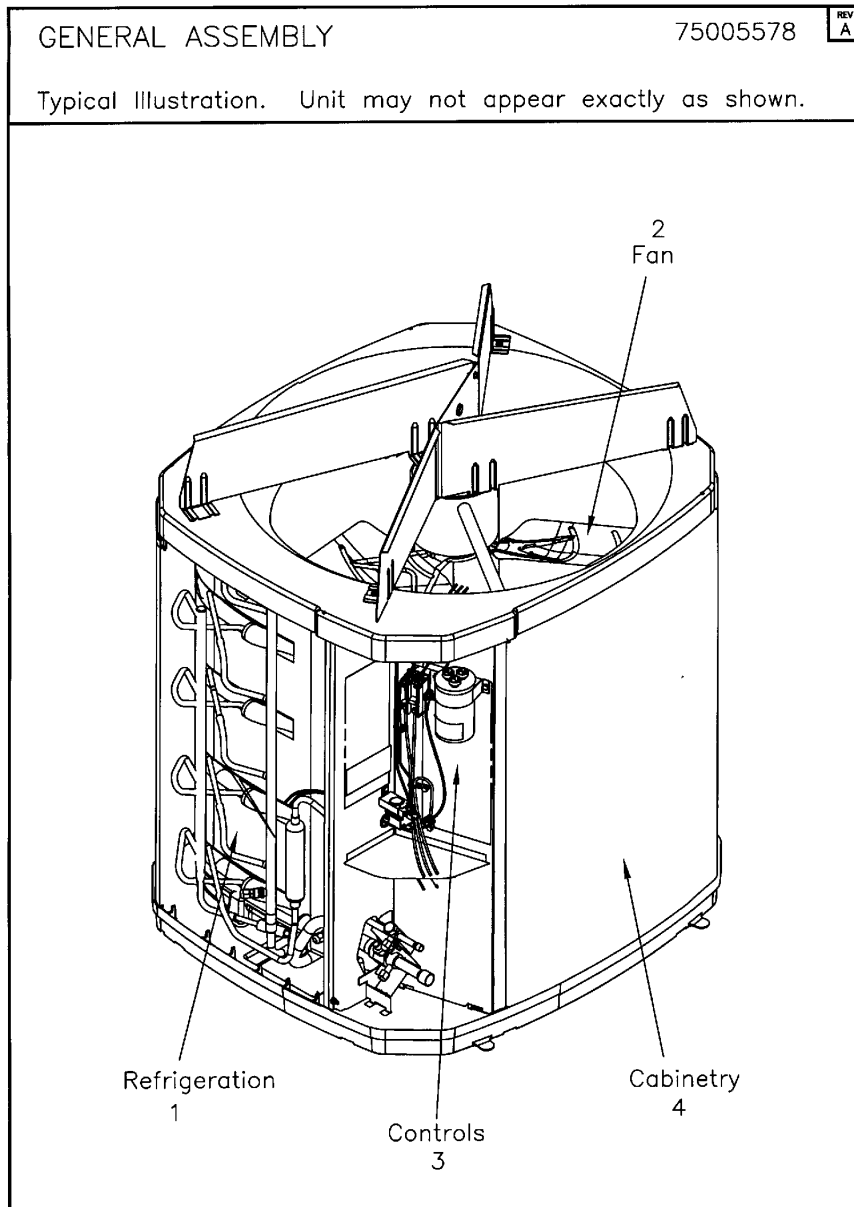


Part No.	Reference No.	Quantity	Description
75005592#4A6H7UP1~S	*		CABINTRY
75010119#4A6H7UP1~S	*		CONTROLS
75005593#4A6H7UP1~S	*		FAN
75005587#4A6H7UP1~S	*		MODEL NUMBER DESCRIPTION
OPTIONS#4A6H7UP1~S	*		OPTIONAL FIELD INSTALLED ACCESSORIES
75009223#4A6H7UP1~S	*		REFRIGERATION
75005578_4A6H7UP1_188658~P	*		SPLIT SYSTEM HEAT PUMP PARTS LIST

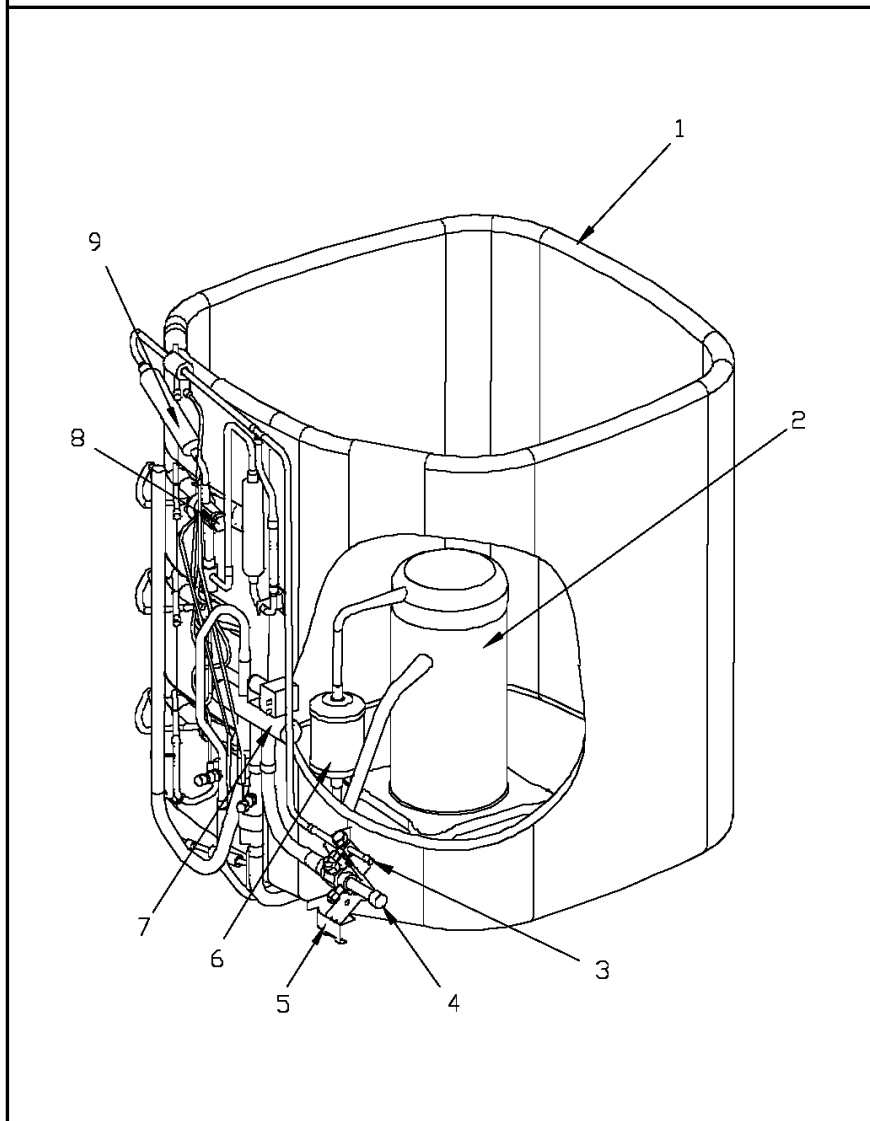


REFRIGERATION

75009223

REV
A

Typical Illustration. Unit may not appear exactly as shown.



Parts List Number :75005578#4A6H7UP1

Model Number :4A6H7048A1000AA

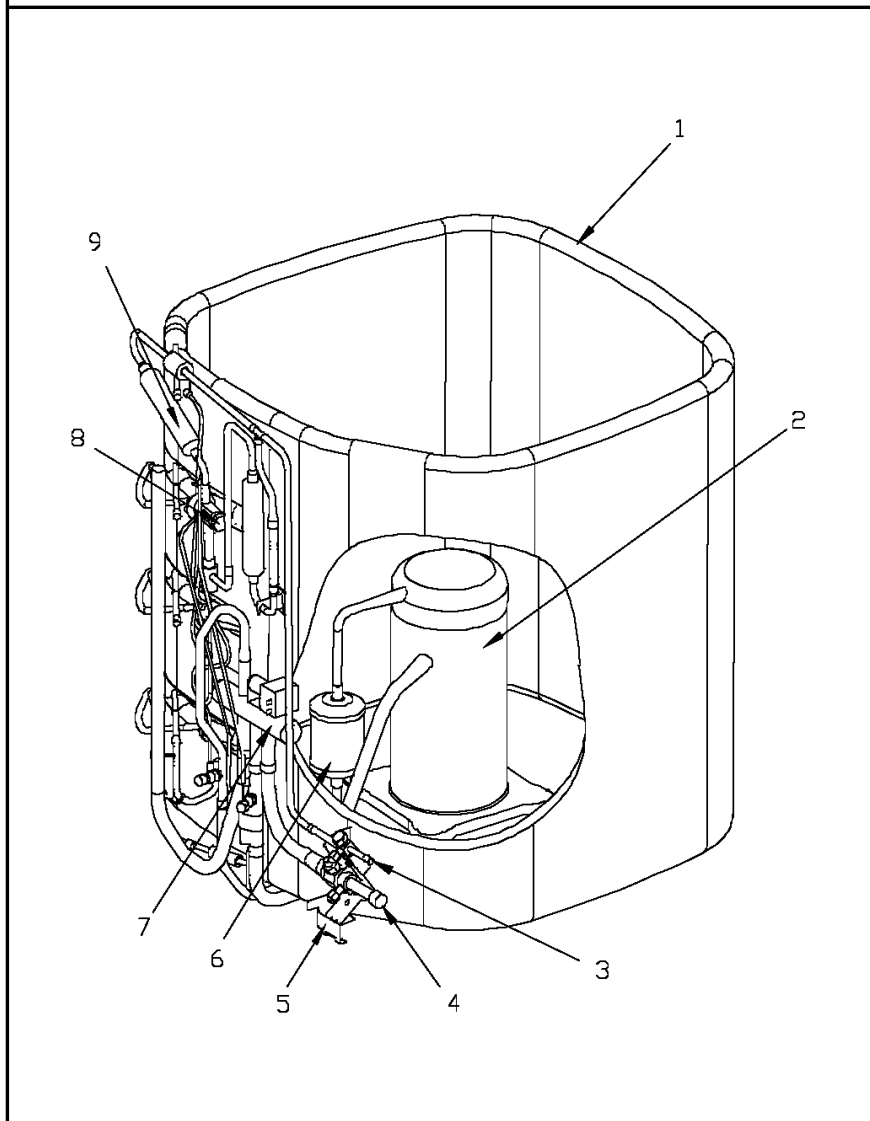
Part No.	Reference No.	Quantity	Description
75009223_4A6H7UP1_413013~P	*		REFRIGERATION PARTS LIST

REFRIGERATION

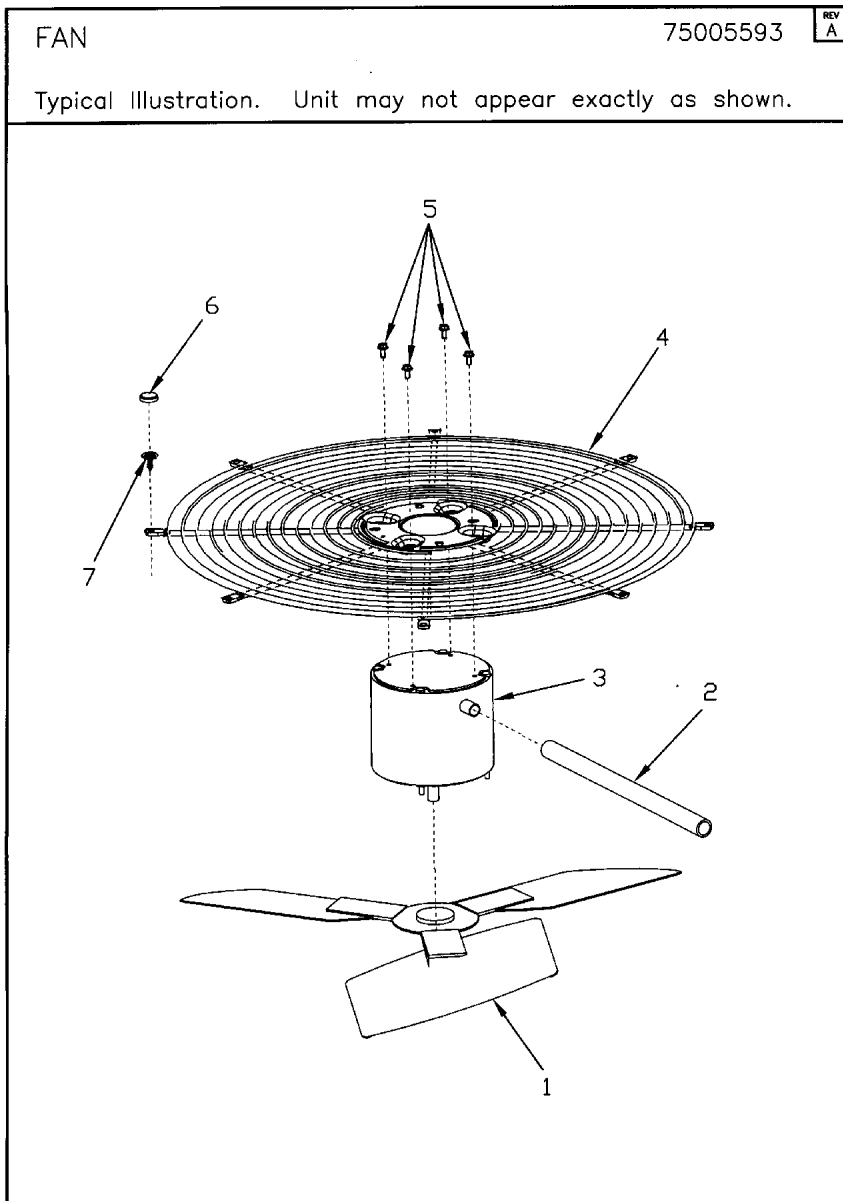
75009223

REV
A

Typical Illustration. Unit may not appear exactly as shown.



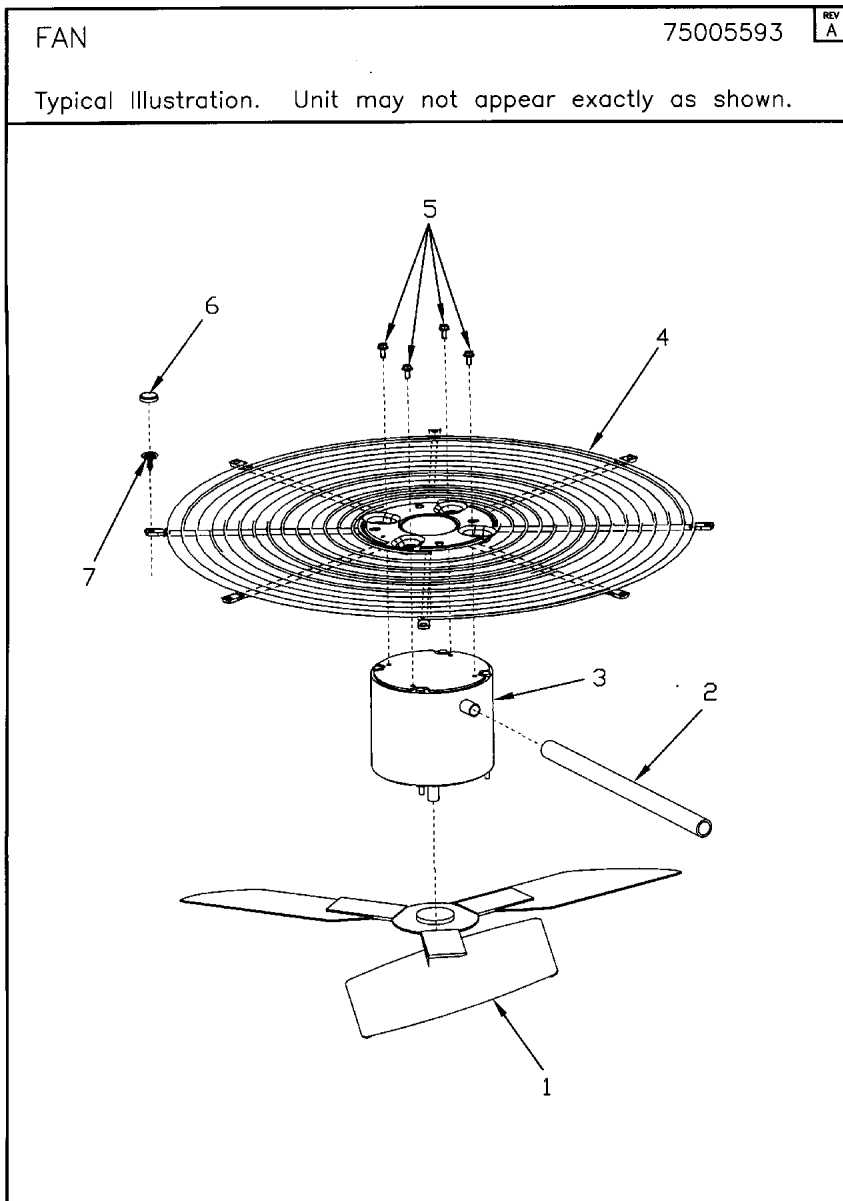
Part No.	Reference No.	Quantity	Description
ACC00168	*	1	ACCUMULATOR; .877 INLET, 13.13 L
BOD00114	*	1	BODY; VALVE, BRASS, 7/16 HEX, 7/16 -20 UNF-2A
CLP00185	*	1	CLIP; TDL
CLP01039	*	1	CLIP; STRAIN RELIEF
CLP01101	*	1	CLIP; TUBE, BLACK PLASTIC
COL14716	*	1	COIL; 24V, 50/60, FOR SANHUA REVERSING VALVE
COR00103	*	3	CORE; VALVE, .79 LENGTH, .206-36 UNS-1 MOD. THD
HTR12895	*	1	HEATER; CRANKCASE, 40 WATT, 230V, 6.5 DIA
ISR00007	*	4	ISOLATOR; VIBRATION
MFL00806	*	1	MUFFLER; 1/2 ODF CONNECTION (DRIER COULD BE PAINTED EITHER SMOKE GRAY OR NAVY BLUE)
PLU01057	*	1	PLUG; COMPRESSOR SOLENOID, 2 LEADS, WHITE WIRES, 85 IN LENGTH
RES00118	*	1	RESISTOR; THERMISTOR , 260 OHMS AT 75 DEGREE F
SCR01914	*	4	SCREW, ASSEMBLY COMPRESSOR, 5/16-12 TYPE B, W/WASHER & SLEEVE
SHD00423	*	1	SHIELD; SALT, 47.75 X 8.00
SPC00382	*	1	SPACER; ORIFICE
SPC00386	*	1	SPACER; BASE, 5.50 X 1.00 X 0.50
SWT03273	*	1	SWITCH, HIGH PRESSURE, SPST, OPEN @ 650 PSIG, CLOSE @ 500 PSIG, 88° YELLOW LEAD
SWT03372	*	1	SWITCH; LOW PRESSURE, OPEN @ 35 PSIG CLOSE @ 55 PSIG
TUB13262	*	1	TUBE; FLOW CONTROL ASSEMBLY
TUB13265	*	1	TUBE; ASSEMBLY DISCHARGE
WIR04816	*	1	WIRE; PLUG-SCROLL COMPRESSOR
COL16541	1	1	COIL; SPINE FIN-5 SIDED
COM10800	2	1	COMPRESSOR; SCROLL, ALLIANCE, TXA040B1BTZ, 3.25 TON, 208V-230V/60/1, R-410A, 7/8 SUCTION, 1/2 DISCHARGE, STUB TUBE
VAL09293	3	1	VALVE, SERVICE LIQUID, .38 OD X .38 OD, VALVE ASSY
VAL07328	4	1	VALVE, SERVICE GAS, .88 OD X .88 OD, BALL VALVE ASSY, BRASS, FEMALE BRAZE TO FEMALE BRAZE, LEFT HAND SERVICE PORT
BRK03020	5	1	BRACKET; VALVE
DHY01452	6	1	DRIER; BI-FLOW; SERVICE FIRST; 16 CU. IN; DCB163S, 3/8 ODF CONNECTIONS; 5.7 TON CAPACITY; APPROVED FOR MINERAL OIL AND POE OIL REFRIGERANTS; MANUFACTU
VAL08884	7	1	VALVE; SWITCHOVER, 6 TON, 5/8 IN ODF X 7/8 IDF CONNECTION (INCLUDES SOLENOID COIL)
VAL09213	8	1	VALVE;CAM 1.8MM, EEV



Parts List Number :75005578#4A6H7UP1

Model Number :4A6H7048A1000AA

Part No.	Reference No.	Quantity	Description
75005593_4A6H7UP1_361259~P	*		FAN PARTS LIST



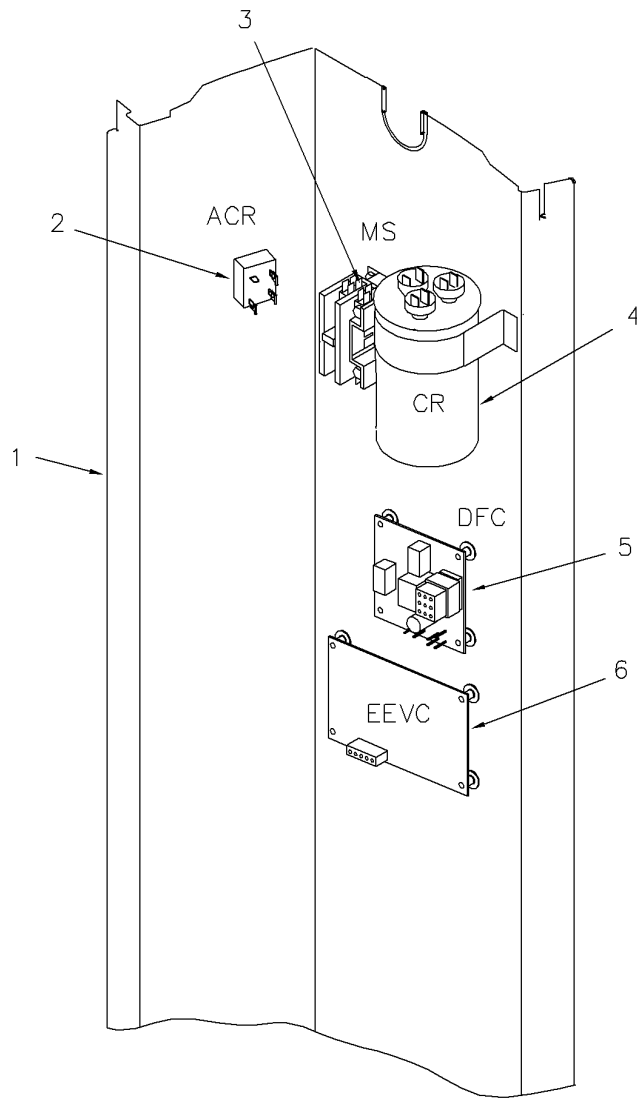
Part No.	Reference No.	Quantity	Description
COV03250	*	1	COVER; MOTOR, 6.86 DIA
FAN04460	1	1	FAN; 2 SWEEP BLADES, 27.5" DIA, 25.2 DEG PITCH, 0.50" BORE, CCW, ALUMINUM, 1 SET SCREW-STEEL, SPIDER 0.075 THK
GRD01416	2	1	GUARD, TROUGH-LEAD
MOT13693	3	1	MOTOR; 1/5 HP, 200/230/60/1, 825 RPM, 48 FRAME, PSC, BALL BEARING, CCW, 7.5 MFD CPT AT 370V
GRL01348	4	1	GRILLE; FAN, 29 IN DIA, SPIRAL WIRE, BASALT GREY
NUT00486	5	4	NUT; SPEED, #10
CAP00913	6	8	CAP; RETAINER
SCR01976	7	8	SCREW; NUMBER 10 X 3/4 NO SLOT HWH T/S STEEL ZY .0002 THK BAKE TY AB GROUNDING EYELET

Controls

75010119

REV
A

Typical illustration. Unit may not appear exactly as shown.



Parts List Number :75005578#4A6H7UP1

Model Number :4A6H7048A1000AA

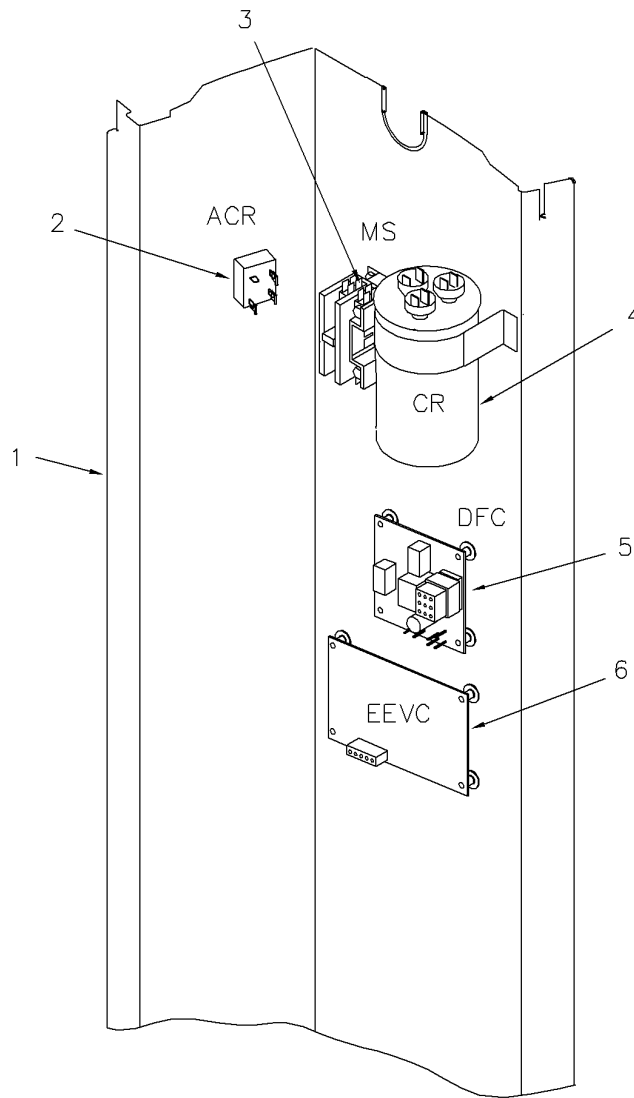
Part No.	Reference No.	Quantity	Description
75010119_4A6H7UP1_413014~P	*		CONTROLS PARTS LIST

Controls

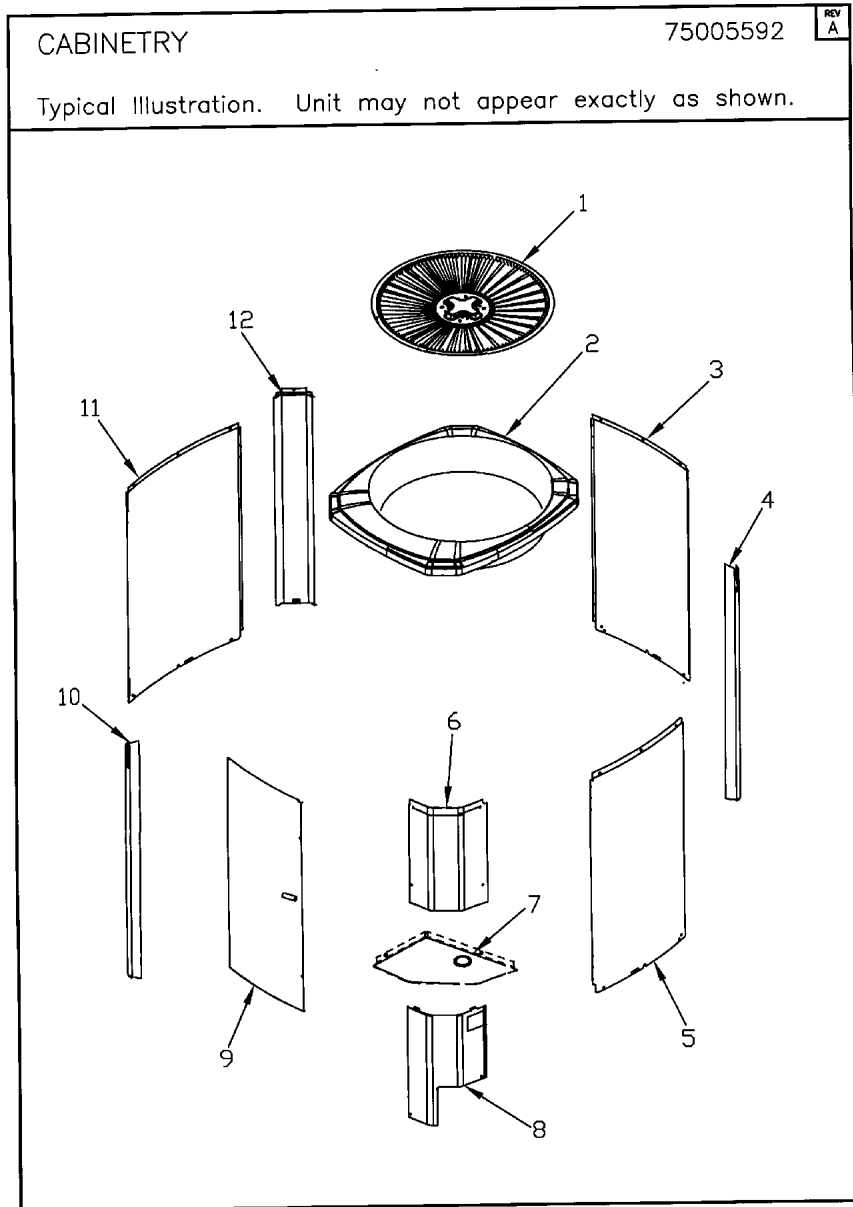
75010119

REV
A

Typical illustration. Unit may not appear exactly as shown.



Part No.	Reference No.	Quantity	Description
COL15628	*	1	COIL; MOTOR ASM-EEV, STATOR (SC)
CON00241	*	3	CONNECTOR; WIRE
CPL01039	*	1	COUPLING; REDUCING COUPLING, 1-1/2" DOWN TO 1-1/4", FNPT x FNPT
RES00118	*	1	RESISTOR; THERMISTOR , 260 OHMS AT 75 DEGREE F
SEN01541	*	1	SENSOR; ASSEMBLY, 9.75K OHMS AT 75F, YELLOW LEADS (CBS-COIL SENSOR)
SEN01588	*	1	SENSOR; EEV, 0.875 TUBE, SUCTION LINE TEMPERATURE SENSOR, 32 IN BLACK WIRES
SEN01637	*	1	SENSOR; ASSEMBLY, (CBS), 19-BK AND 21-BK IN LEAD LENGTH
SHD00386	*	2	SHIELD; MOISTURE, 12.75 X 5.00
SHD00387	*	2	SHIELD; MOISTURE, 10.25 X 4.00
TDR00365	*	1	TRANSDUCER, FOUR PIN OUTDOOR PRESSURE SENSOR, SUCTION LINE
THT02681	*	1	THERMOSTAT; TERMINATOR, 240V, SPST, OPEN AT 105F, CLOSE AT 73F, PR/WH WIRES, 89 IN LENGTH
WIR07299	*	1	WIRE; HARNESS CONTROL PANEL
PNL25790	1	1	PANEL, CONTROL PANEL BASE, 39.14 HEIGHT
RTF00058	2	1	RECTIFIER; BRIDGE
CTR01038	3	1	CONTACTOR, 30 AMP, 240/277/480/600V, 24V COIL, 2 POLE
CPT00692	4	1	CAPACITOR; DUAL, 30/7.5 MFD, 440V, ROUND, W/O RESISTOR
CNT05482	5	1	CONTROL; DEFROST
CNT06421	6	1	CONTROL; EEV BOARD ASSEMBLY



Parts List Number :75005578#4A6H7UP1

Model Number :4A6H7048A1000AA

Part No.	Reference No.	Quantity	Description
75005592_4A6H7UP1_188660~P	*		CABINETY PARTS LIST



Parts List Number :75005578#4A6H7UP1

Model Number :4A6H7048A1000AA

Part No.	Reference No.	Quantity	Description
BAS01834	*	1	BASE; 41.78 X 41.81 DIAGONALLY
PAI00207	*	1	PAINT; SPINNAKER GRAY (SHIPPING UOM 12 OZ HAZ) SPRAY CAN
PAI00248	*	1	PAINT; 12 OZ SPRAY, ANTHRACITE GRAY (SHIPPING UOM 12 OZ HAZ)
PLT04897	*	1	PLATE; BADGE AMERICAN STANDARD PLATINUM
SCR02010	*	21	SCREW; 12-18 AB HXW 1/2 SN
GRL01348	1	1	GRILLE; FAN, 29 IN DIA, SPIRAL WIRE, BASALT GREY
COV04462	2	1	COVER; TOP
PNL25664	3	1	PANEL; WRAPPER, 41.33 X 22.98
PNL26270	4	1	PANEL; CORNER POST, 3.5 x 41.3 INCHES
PNL25664	5	1	PANEL; WRAPPER, 41.33 X 22.98
COV04038	6	1	COVER; CONTROLS, 11 x 26 INCHES
COV03228	7	1	COVER, CONTROL BOTTOM
COV04041	8	1	COVER; VALVE, 11.32 x15.4 INCHES
PNL25665	9	1	PANEL; ACCESS, 40.65 X 19.79
PNL26270	10	1	PANEL; CORNER POST, 3.5 x 41.3 INCHES
PNL25663	11	1	PANEL; WRAPPER, 41.33 X 27.00
PNL26270	12	1	PANEL; CORNER POST, 3.5 x 41.3 INCHES

MODEL NUMBER DESCRIPTION

75005587

REL
C

OUTDOOR UNITS

Example Model Number:

4 A 7 A 0 0 3 6 A 1 0 0 0 A A
1 - - - 5 - - - 10 - - - 15

Digit 1 – Refrigerant Type

2 = R-22
4 = R-410A

Digit 2 – American Standard

Digit 3 – Product Type

6,W = Split Heat Pump
7,T = Split Cooling

Digit 4 – Product Family

V = Variable Speed
Z = Leadership - Two Stage
X = Leadership
R = Replacement/Retail
M or B = Basic
A = Light Commercial
L = Side Discharge

Digit 5 – Family SEER

3 = 13 7 = 17
4 = 14 8 = 18
5 = 15 9 = 19
6 = 16 0 = 20

Digits 6 – Split System Connections 1-6 Tons

0 = Brazed

Digits 7,8 – Nominal Capacity in 000s BTUs

Digit 9 – Major Design Modifications

Digit 10 – Power Supply

1 = 200-230/1/60 or 208-230/1/60
3 = 200-230/3/60
4 = 460/3/60

Digit 11,12,13 – Secondary Function

Digit 14 – Minor Design Modifications

Digit 15 – Unit Parts Identifier

Part No.	Reference No.	Quantity	Description
75005587_4A6H7UP1_188659~P	*		MODEL NUMBER DESCRIPTION PARTS LIST

MODEL NUMBER DESCRIPTION

75005587

REL
C

OUTDOOR UNITS

Example Model Number:

4 A 7 A 0 0 3 6 A 1 0 0 0 A A
1 - - - 5 - - - - 10 - - - - 15

Digit 1 – Refrigerant Type

2 = R-22
4 = R-410A

Digit 2 – American Standard

Digit 3 – Product Type

6,W = Split Heat Pump
7,T = Split Cooling

Digit 4 – Product Family

V = Variable Speed
Z = Leadership - Two Stage
X = Leadership
R = Replacement/Retail
M or B = Basic
A = Light Commercial
L = Side Discharge

Digit 5 – Family SEER

3 = 13 7 = 17
4 = 14 8 = 18
5 = 15 9 = 19
6 = 16 0 = 20

Digits 6 – Split System Connections 1-6 Tons

0 = Brazed

Digits 7,8 – Nominal Capacity in 000s BTUs

Digit 9 – Major Design Modifications

Digit 10 – Power Supply

1 = 200-230/1/60 or 208-230/1/60
3 = 200-230/3/60
4 = 460/3/60

Digit 11,12,13 – Secondary Function

Digit 14 – Minor Design Modifications

Digit 15 – Unit Parts Identifier

Parts List Number :75005578#4A6H7UP1

Model Number :4A6H7048A1000AA

Part No.	Reference No.	Quantity	Description
OPTIONS_4A6H7UP1_188675~P	*		OPTIONAL FIELD INSTALLED ACCESSORIES PARTS LIST

NO GRAPHIC AVAILABLE

75013702

REV
A

**NO
GRAPHIC
AVAILABLE**

Parts List Number :75005578#4A6H7UP1

Model Number :4A6H7048A1000AA

Part No.	Reference No.	Quantity	Description
KIT05354	*	1	KIT; TIME DELAY (TAYASCT501A) - 5 MINUTE RELAY ONLY IS RLY01343
KIT07731	*	1	KIT; SNOW LEGS, CONTAINS (4) 6" MOUNTING LEGS (BAYLEGS002)
KIT07732	*	1	KIT; SNOW LEGS, (4" EXTENSION KIT) (BAYLEGS003)
KIT07908	*	1	KIT; START ASSEMBLY (BAYKSKT260)
KIT08036	*	1	KIT; SEA COAST (BAYSEAC001)
KIT08413	*	1	KIT; SOUND ENCLOSURE, (BAYSDEN004), (MODELS WITH LARGE FRAME (QUEST) SCROLL COMPRESSORS NO LARGER THAN 17.3" TALL OR 7.3" IN DIAMETER EXCEPT IN CABINET HEIGHTS 32.7" OR SHORTER)
KIT09425	*	1	KIT; ISOLATOR (BAYISLT101) (CONTAINS A QTY OF 5 ISOLATORS)
KIT15190	*	1	KIT; EXTREME MOUNTING CONDITION (BAYECMT004).
PAI00309	*	1	PAINT; DARK BROWN, 12 OZ SPRAY CAN, HERESITE AIR DRY PHENOLIC COATING, VR-554T