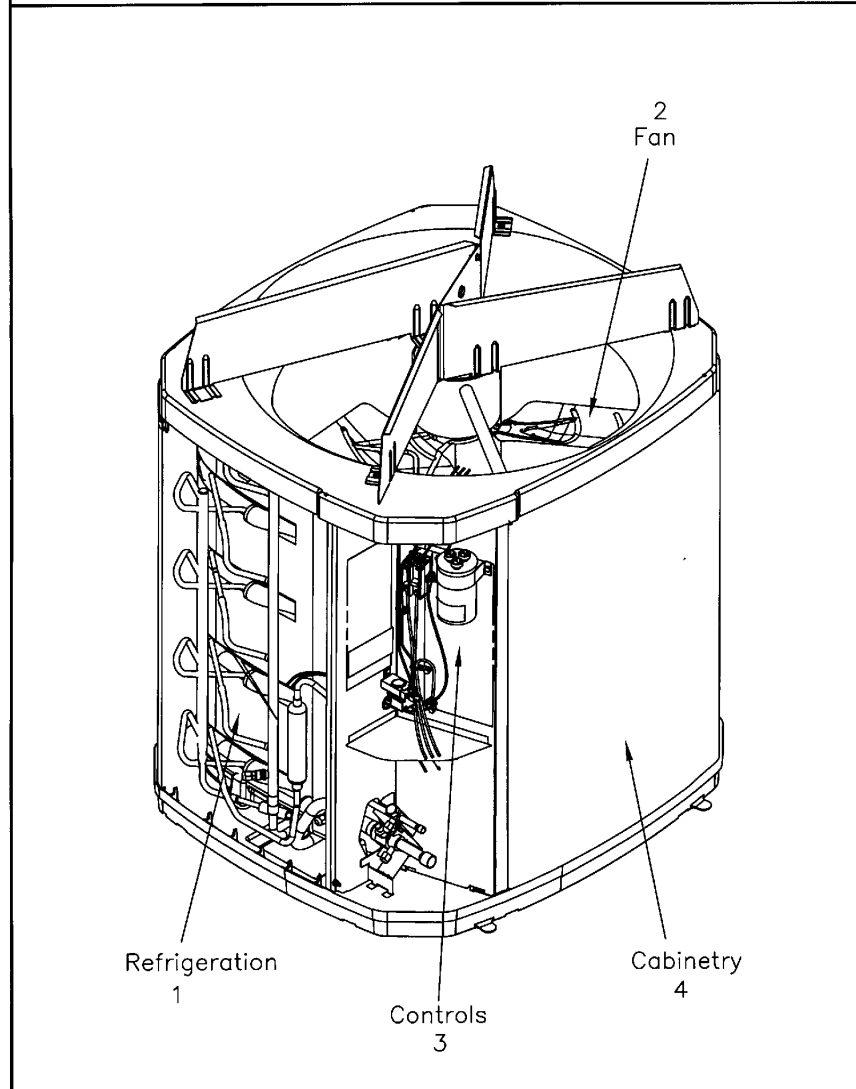


GENERAL ASSEMBLY

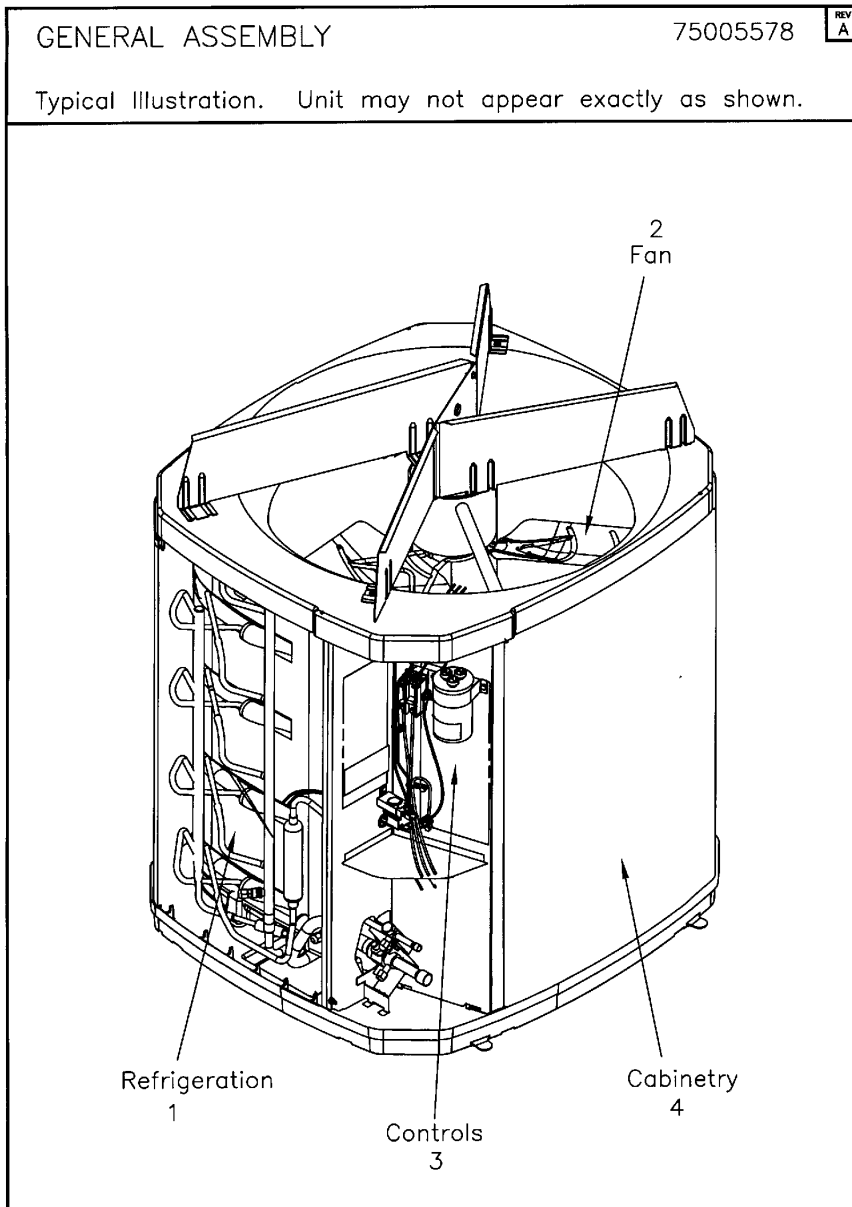
75005578

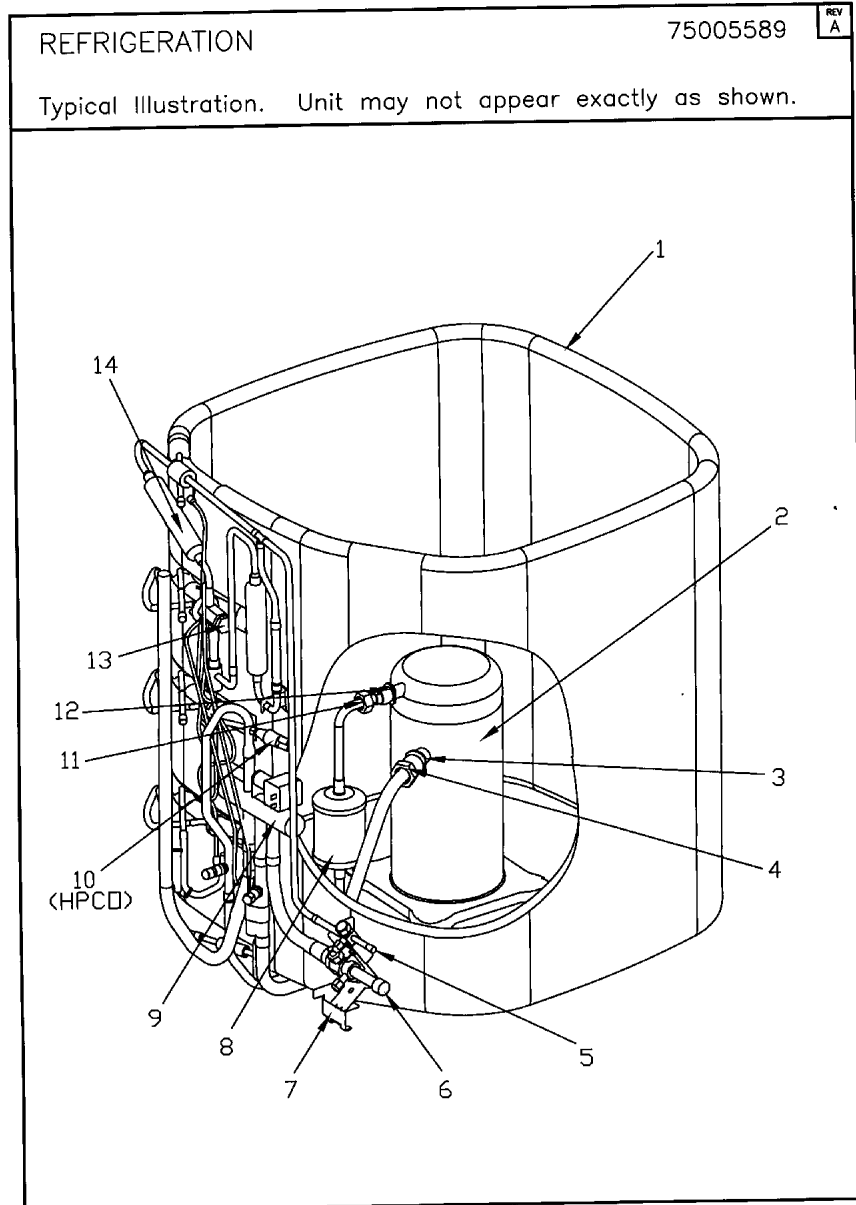
REV
A

Typical Illustration. Unit may not appear exactly as shown.



Part No.	Reference No.	Quantity	Description
75009040#4A6H6UP5~S	*		CABINTRY
75005582#4A6H6UP5~S	*		CONTROLS
75005593#4A6H6UP5~S	*		FAN
75005578_4A6H6UP5_323077~P	*		GENERAL ASSEMBLY PARTS LIST
75005587#4A6H6UP5~S	*		MODEL NUMBER DESCRIPTION
75005589#4A6H6UP5~S	*		REFRIGERATION

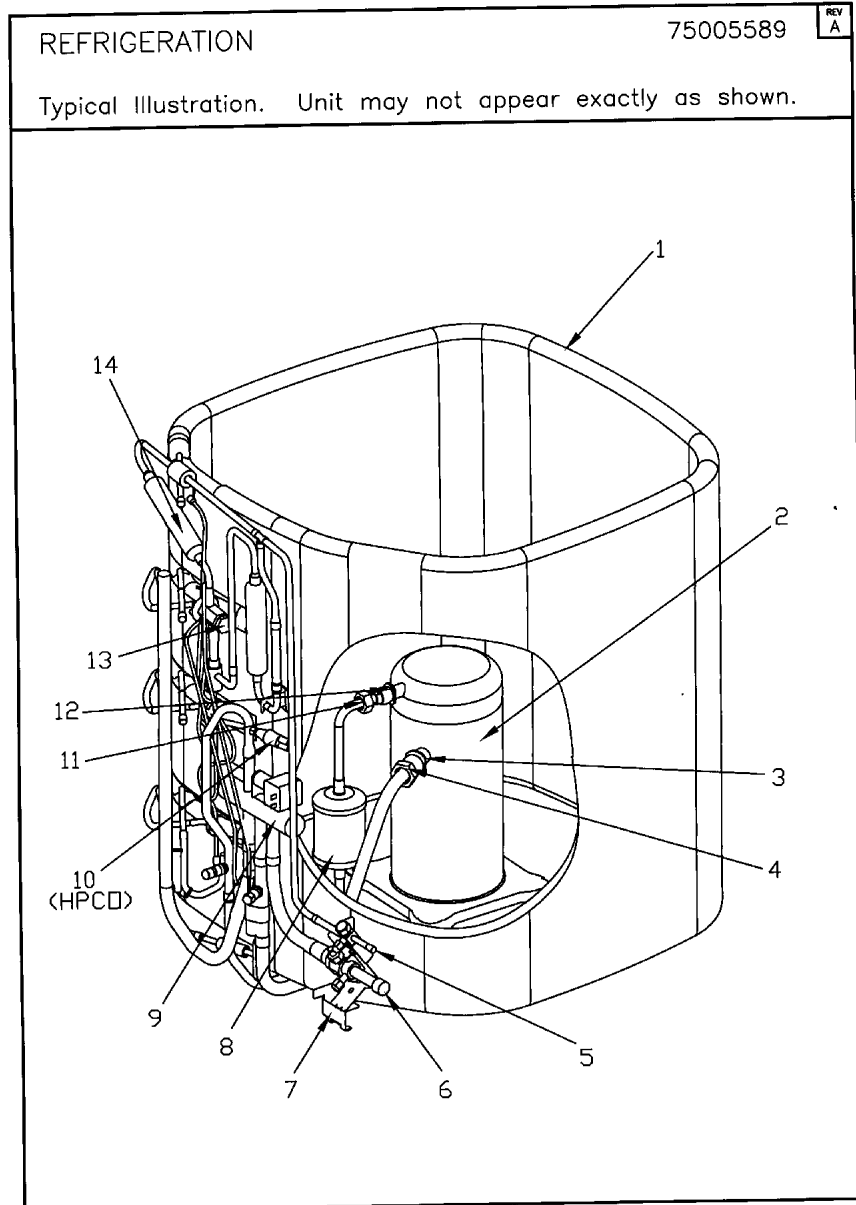




Parts List Number :75005578#4A6H6UP5

Model Number :4A6H6048E1000BA

Part No.	Reference No.	Quantity	Description
75005589_4A6H6UP5_354522~P	*		REFRIGERATION PARTS LIST



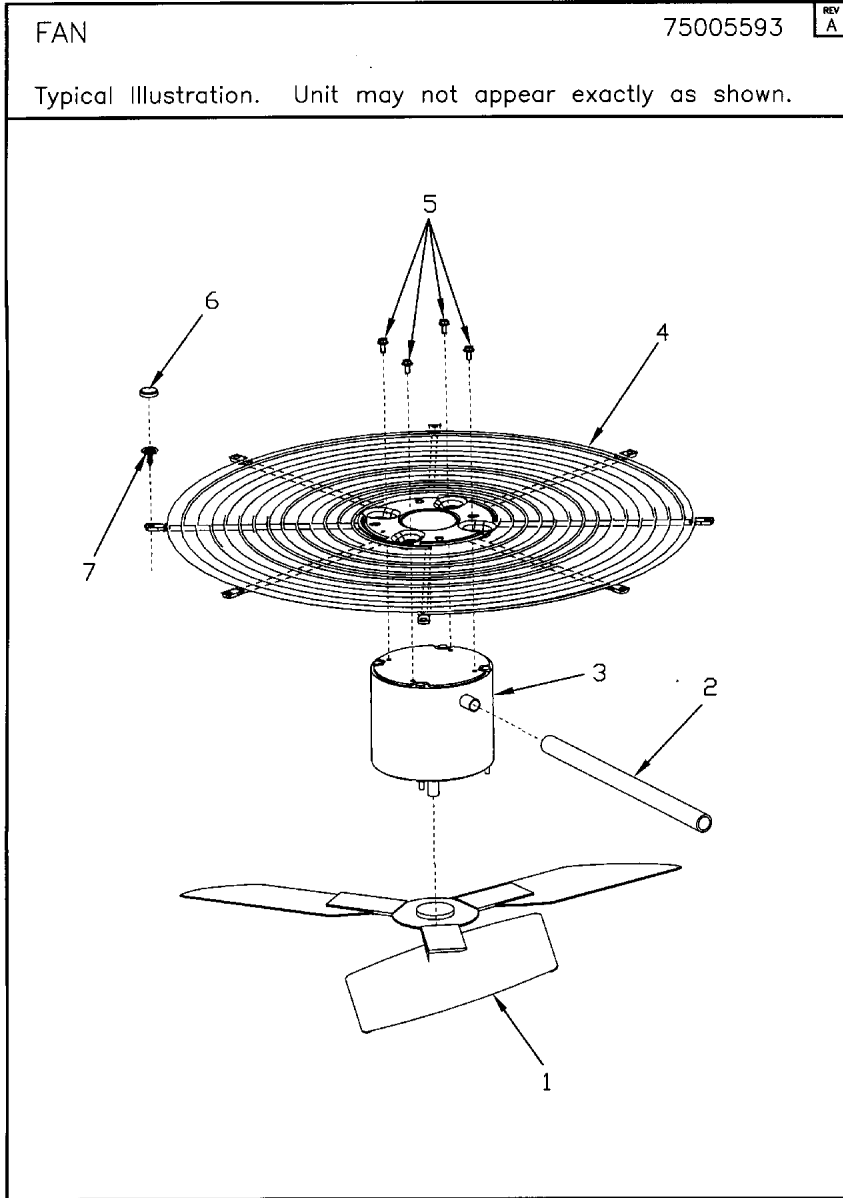
Part No.	Reference No.	Quantity	Description
ACC00168	*	1	ACCUMULATOR; .877 INLET, 13.13 L
CLP01101	*	1	CLIP; TUBE, BLACK PLASTIC
COL14716	*	1	COIL; 24V, 50/60, FOR SANHUA REVERSING VALVE
GKT01532	*	1	GASKET; TEFLON, SIZE 3/4", (FITTING SIZE 1.00-14)
GKT01533	*	1	GASKET; TEFLON, SIZE 1", (FITTING SIZE 1.25-12)
HTR07611	*	1	HEATER; SUMP, 40 WATT, 230 VOLT, 6.5 DIA
ISR00007	*	4	ISOLATOR; VIBRATION
KIT01159	*	1	KIT; ROTOLOCK COMPRESSOR TO BRAZED; 1.00-14 THREAD SIZE ; 1/2 IN TUBE SIZE
KIT08369	*	1	KIT; CORE, (KIT CONTAINS COR00006 VALVE PORT AND COR00092 CORE BODY)
RES00118	*	1	RESISTOR; THERMISTOR , 260 OHMS AT 75 DEGREE F
SCR01914	*	4	SCREW, ASSEMBLY COMPRESSOR, 5/16-12 TYPE B, W/WASHER & SLEEVE
VAL02189	*	1	VALVE; CHECK, 1/2 ID INLET X 1/2 OD OUTLET, 4.6 IN LENGTH
COL16541	1	1	COIL; SPINE FIN-5 SIDED
COM09834	2	1	COMPRESSOR; SCROLL, TXA040B1RPZ , 3.3 TON, 208-230/60/1, 410A
SLV00206	3	1	SLEEVE; 1/2" TUBE SIZE
NUT01000	4	1	NUT; 1.00-14 UNS-2B THREAD SIZE (FOR 1/2" TUBE SIZE)
VAL09293	5	1	VALVE, SERVICE LIQUID, .38 OD X .38 OD, VALVE ASSY
VAL07328	6	1	VALVE, SERVICE GAS, .88 OD X .88 OD, BALL VALVE ASSY, BRASS, FEMALE BRAZE TO FEMALE BRAZE, LEFT HAND SERVICE PORT
BRK03020	7	1	BRACKET; VALVE
MFL00806	8	0	MUFFLER; 1/2 ODF CONNECTION (DRIER COULD BE PAINTED EITHER SMOKE GRAY OR NAVY BLUE)
VAL08884	9	1	VALVE; SWITCHOVER, 6 TON, 5/8 IN ODF X 7/8 IDF CONNECTION (INCLUDES SOLENOID COIL)
SWT03273	10	1	SWITCH, HIGH PRESSURE, SPST, OPEN @ 650 PSIG, CLOSE @ 500 PSIG, 88" YELLOW LEAD
NUT00999	11	1	NUT; 1.25-12 UNF-2B THREAD SIZE (FOR 3/4" OR 5/8" TUBE SIZE)
SLV00185	12	1	SLEEVE; 3/4" TUBE SIZE
VAL09213	13	1	VALVE;CAM 1.8MM, EEV
DHY01273	14	2	DRIER, BI FLOW, 3/8 ODF, 3+ TON



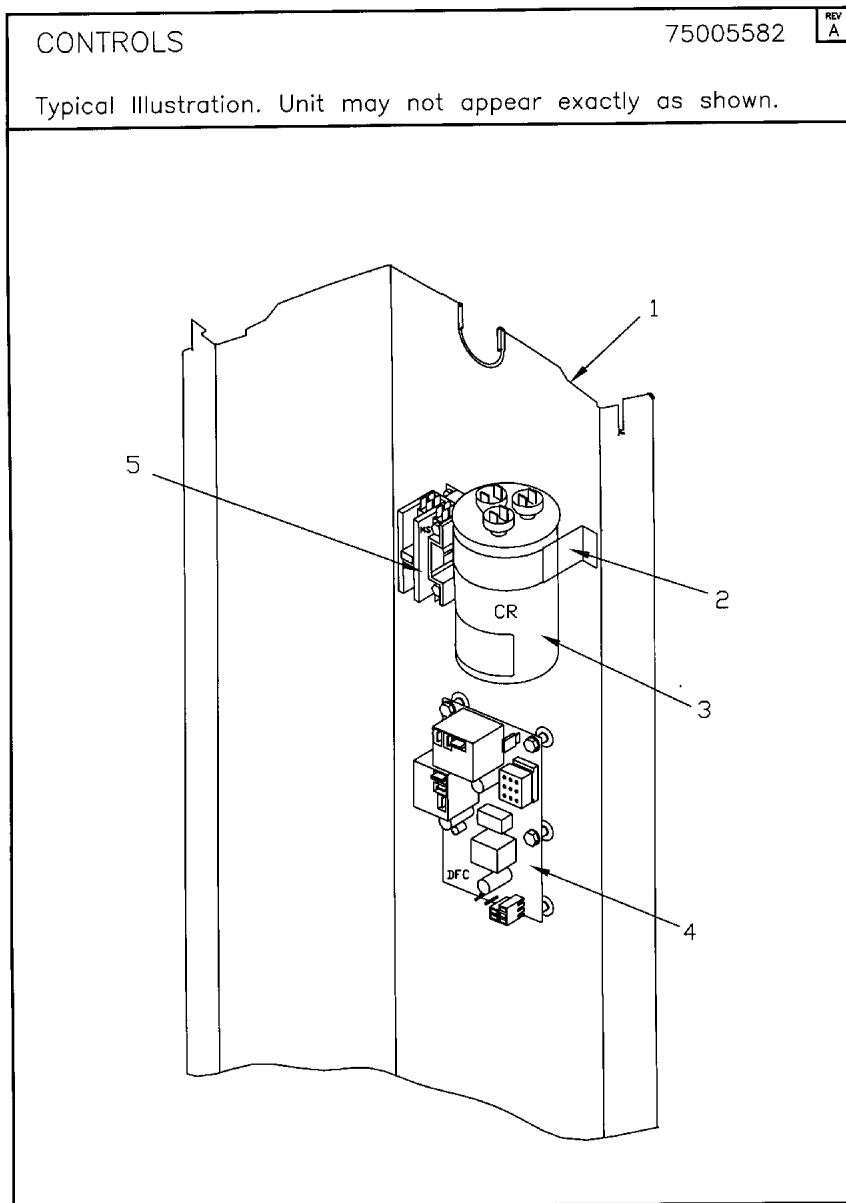
Parts List Number :75005578#4A6H6UP5

Model Number :4A6H6048E1000BA

Part No.	Reference No.	Quantity	Description
75005593_4A6H6UP5_354523~P	*		FAN PARTS LIST



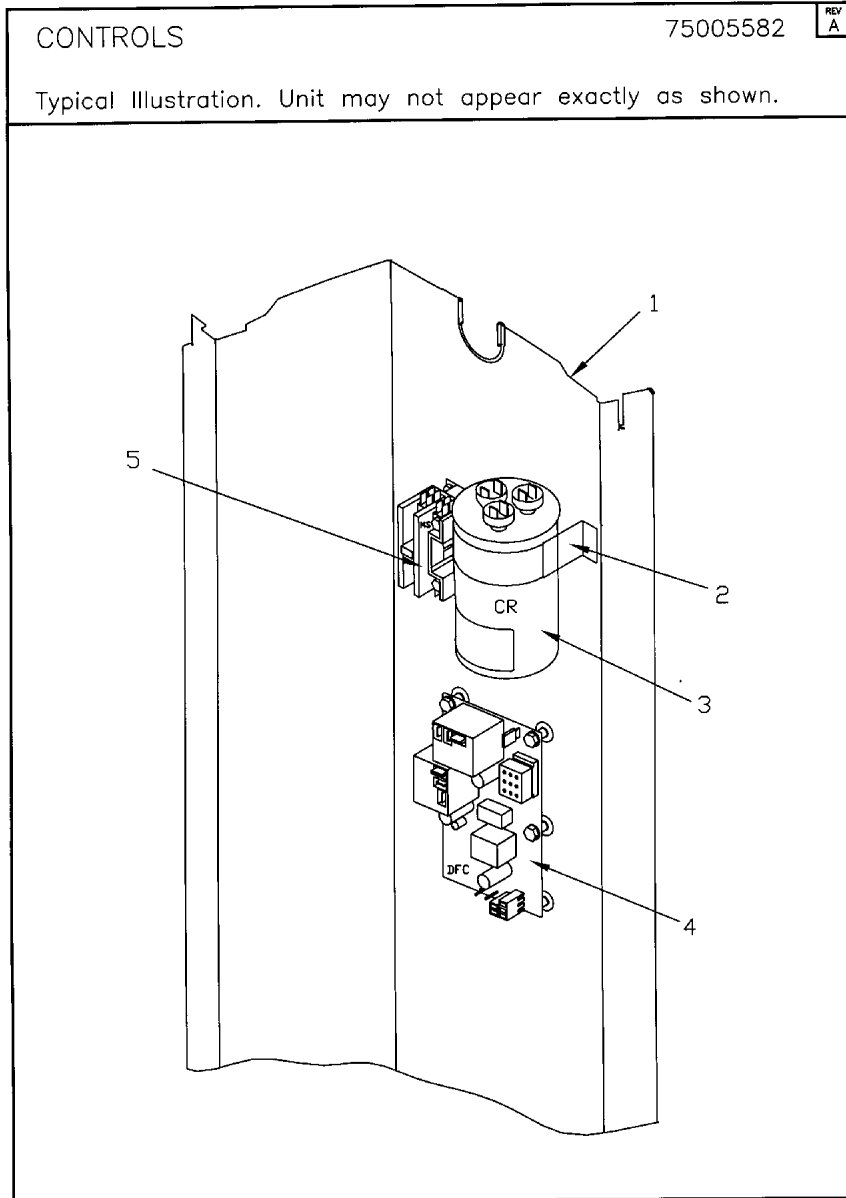
Part No.	Reference No.	Quantity	Description
FAN04460	1	1	FAN; 2 SWEEP BLADES, 27.5" DIA, 25.2 DEG PITCH, 0.50" BORE, CCW, ALUMINUM, 1 SET SCREW-STEEL, SPIDER 0.075 THK
GRD01416	2	1	GUARD, TROUGH-LEAD
MOT13693	3	1	MOTOR; 1/5 HP, 200/230/60/1, 825 RPM, 48 FRAME, PSC, BALL BEARING, CCW, 7.5 MFD CPT AT 370V
GRL01348	4	1	GRILLE; FAN, 29 IN DIA, SPIRAL WIRE, BASALT GREY
SCR02086	5	4	SCREW; 10-32 TR-3 HXW 3/8 S
CAP00913	6	8	CAP; RETAINER
SCR02010	7	3	SCREW; 12-18 AB HXW 1/2 SN



Parts List Number :75005578#4A6H6UP5

Model Number :4A6H6048E1000BA

Part No.	Reference No.	Quantity	Description
75005582_4A6H6UP5_354521~P	*		CONTROLS PARTS LIST



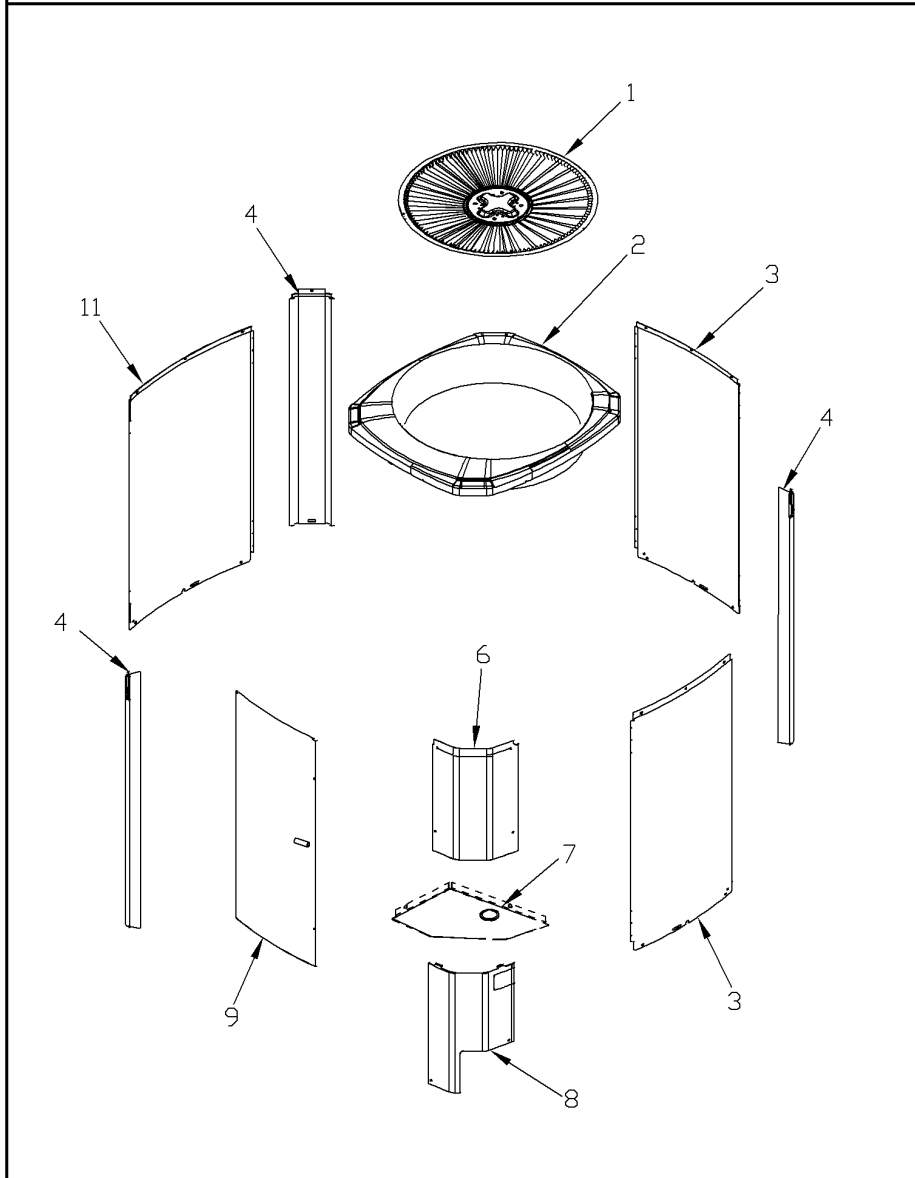
Part No.	Reference No.	Quantity	Description
CNT05129	*	1	CONTROL; EEV BOARD ASSEMBLY
COL15628	*	1	COIL; MOTOR ASM-EEV, STATOR (SC)
CON00241	*	3	CONNECTOR; WIRE
CPL00185	*	1	COUPLING;QUICK CONNECT (CPD)
RES00118	*	1	RESISTOR; THERMISTOR , 260 OHMS AT 75 DEGREE F
RLY03148	*	1	RELAY, START, 50A COIL, 383 CONTINUOUS COIL RATING, 60 HZ, 160-170V HOT PICKUP, 153-165V PICK UP, 55-115V DROP OUT, 5600 COIL RESISTANCE
RLY03510	*	1	RELAY; TIME DELAY 60 SECOND
RTF00058	*	1	RECTIFIER; BRIDGE
SEN01540	*	1	SENSOR; ASSEMBLY-AMBIENT (ODS-B)
SEN01541	*	1	SENSOR; ASSEMBLY, 9.75K OHMS AT 75F, YELLOW LEADS (CBS-COIL SENSOR)
SEN01588	*	1	SENSOR; EEV, 0.875 TUBE, SUCTION LINE TEMPERATURE SENSOR, 32 IN BLACK WIRES
SHD00386	*	2	SHIELD; MOISTURE, 12.75 X 5.00
SHD00387	*	2	SHIELD; MOISTURE, 10.25 X 4.00
SWT03372	*	1	SWITCH; LOW PRESSURE, OPEN @ 35 PSIG CLOSE @ 55 PSIG
TDR00365	*	1	TRANSDUCER, FOUR PIN OUTDOOR PRESSURE SENSOR, SUCTION LINE
THT02473	*	1	THERMOSTAT; HIGH TEMPERATURE, 240 V, SPST, (SETTING OPEN @ 233.5/246.5 DEGREE F, CLOSE @ 188/212 DEGREE F)
THT02681	*	1	THERMOSTAT; TERMINATOR, 240V, SPST, OPEN AT 105F, CLOSE AT 73F, PR/WH WIRES, 89 IN LENGTH
WIR04816	*	1	WIRE; PLUG-SCROLL COMPRESSOR
PNL25790	1	1	PANEL, CONTROL PANEL BASE, 39.14 HEIGHT
SRP00093	2	1	STRAP;CAPACITOR
CPT00692	3	1	CAPACITOR; DUAL, 30/7.5 MFD, 440V, ROUND, W/O RESISTOR
CNT05482	4	1	CONTROL; DEFROST
CTR01038	5	1	CONTACTOR, 30 AMP, 240/277/480/600V, 24V COIL, 2 POLE

CABINETY

75009040

REV
A

Typical Illustration. Unit may not appear exactly as shown.



Parts List Number :75005578#4A6H6UP5

Model Number :4A6H6048E1000BA

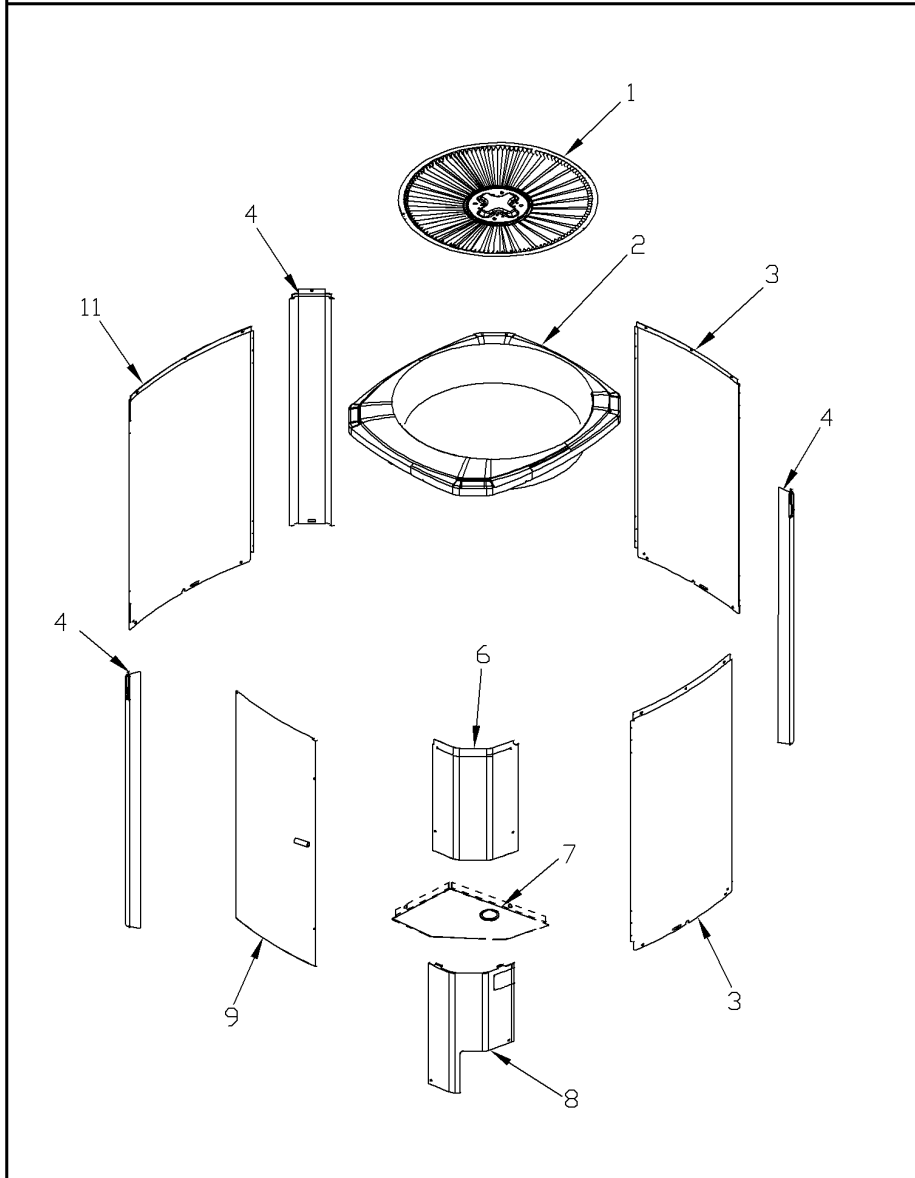
Part No.	Reference No.	Quantity	Description
75009040_4A6H6UP5_325267~P	*		CABINETY PARTS LIST

CABINETY

75009040

REV
A

Typical Illustration. Unit may not appear exactly as shown.



Parts List Number :75005578#4A6H6UP5

Model Number :4A6H6048E1000BA

Part No.	Reference No.	Quantity	Description
BAS01834	*	1	BASE; 41.78 X 41.81 DIAGONALLY
PAI00246	*	1	PAINT; SPRAY, TARPAULIN GRAY (SHIPPING UOM 12 OZ HAZ)
PAI00248	*	1	PAINT; 12 OZ SPRAY, ANTHRACITE GRAY (SHIPPING UOM 12 OZ HAZ)
PLT04776	*	1	PLATE; BADGE HERITAGE 16 - AMERICAN STANDARD
SCR02010	*	19	SCREW; 12-18 AB HXW 1/2 SN
GRL01348	1	1	GRILLE; FAN, 29 IN DIA, SPIRAL WIRE, BASALT GREY
COV04035	2	1	COVER; TOP, 37.00 X 34.00
PNL25664	3	2	PANEL; WRAPPER, 41.33 X 22.98
PNL26270	4	3	PANEL; CORNER POST, 3.5 x 41.3 INCHES
COV04038	6	1	COVER; CONTROLS, 11 x 26 INCHES
COV03228	7	1	COVER, CONTROL BOTTOM
COV04041	8	1	COVER; VALVE, 11.32 x15.4 INCHES
PNL25665	9	1	PANEL; ACCESS, 40.65 X 19.79
PNL25663	11	1	PANEL; WRAPPER, 41.33 X 27.00

MODEL NUMBER DESCRIPTION

75005587

REL
C

OUTDOOR UNITS

Example Model Number:

4 A 7 A 0 0 3 6 A 1 0 0 0 A A
1 - - - 5 - - - 10 - - - 15

Digit 1 – Refrigerant Type

2 = R-22
4 = R-410A

Digit 2 – American Standard

Digit 3 – Product Type

6,W = Split Heat Pump
7,T = Split Cooling

Digit 4 – Product Family

V = Variable Speed
Z = Leadership - Two Stage
X = Leadership
R = Replacement/Retail
M or B = Basic
A = Light Commercial
L = Side Discharge

Digit 5 – Family SEER

3 = 13 7 = 17
4 = 14 8 = 18
5 = 15 9 = 19
6 = 16 0 = 20

Digits 6 – Split System Connections 1-6 Tons

0 = Brazed

Digits 7,8 – Nominal Capacity in 000s BTUs

Digit 9 – Major Design Modifications

Digit 10 – Power Supply

1 = 200-230/1/60 or 208-230/1/60
3 = 200-230/3/60
4 = 460/3/60

Digit 11,12,13 – Secondary Function

Digit 14 – Minor Design Modifications

Digit 15 – Unit Parts Identifier

Part No.	Reference No.	Quantity	Description
75005587_4A6H6UP5_323079~P	*		MODEL NUMBER DESCRIPTION PARTS LIST

MODEL NUMBER DESCRIPTION

75005587

REL
C

OUTDOOR UNITS

Example Model Number:

4 A 7 A 0 0 3 6 A 1 0 0 0 A A
1 - - - 5 - - - - 10 - - - - 15

Digit 1 – Refrigerant Type

2 = R-22
4 = R-410A

Digit 2 – American Standard

Digit 3 – Product Type

6,W = Split Heat Pump
7,T = Split Cooling

Digit 4 – Product Family

V = Variable Speed
Z = Leadership - Two Stage
X = Leadership
R = Replacement/Retail
M or B = Basic
A = Light Commercial
L = Side Discharge

Digit 5 – Family SEER

3 = 13 7 = 17
4 = 14 8 = 18
5 = 15 9 = 19
6 = 16 0 = 20

Digits 6 – Split System Connections 1-6 Tons

0 = Brazed

Digits 7,8 – Nominal Capacity in 000s BTUs

Digit 9 – Major Design Modifications

Digit 10 – Power Supply

1 = 200-230/1/60 or 208-230/1/60
3 = 200-230/3/60
4 = 460/3/60

Digit 11,12,13 – Secondary Function

Digit 14 – Minor Design Modifications

Digit 15 – Unit Parts Identifier

