

Part No.	Reference No.	Quantity	Description
0000147497~S	*		CABINET
0000147496~S	*		CONTROLS
0000147495~S	*		FAN
0000147493~S	*		GENERAL ASSEMBLY
0000148870~S	*		MODEL NUMBER DESCRIPTION
0000147494~S	*		REFRIGERATION

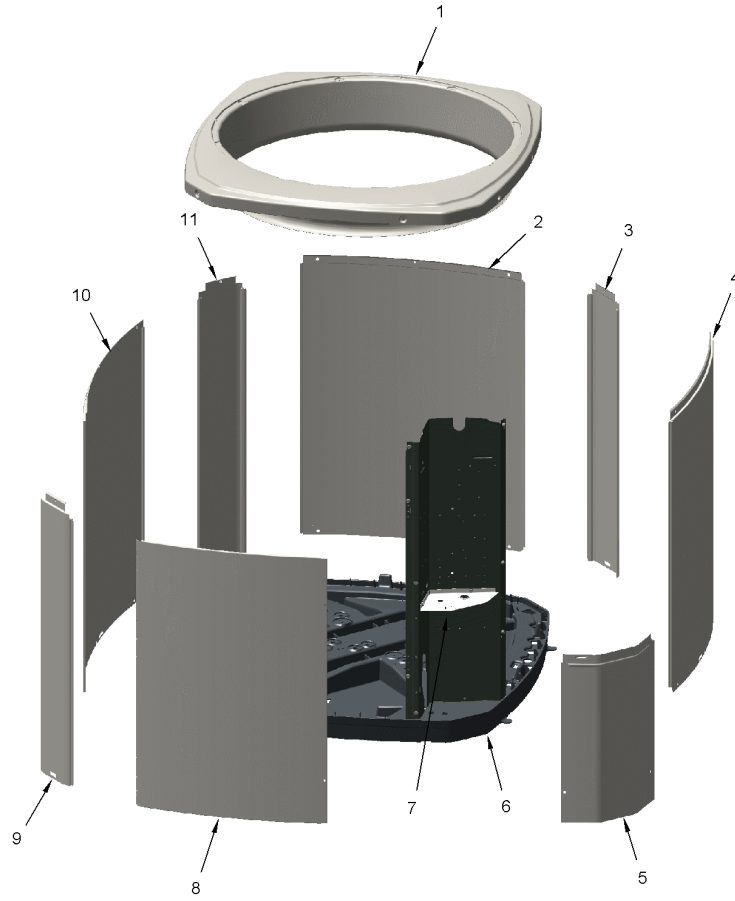
Part No.	Reference No.	Quantity	Description
0000025879~P	*		CABINET PARTS LIST

CABINET

75010796

REV.
A

TYPICAL ILLUSTRATION



Part No.	Reference No.	Quantity	Description
PAI00074	*	0	PAINT; SPRAY, SLATE GREY, FULL GLOSS(88) (SHIPPING UOM 12 OZ HAZ)
PAI00207	*	0	PAINT; SPINNAKER GRAY (SHIPPING UOM 12 OZ HAZ) SPRAY CAN
SCR02010	*	19	SCREW; 12-18 AB HXW 1/2 SN
SCR02054	*	19	SCREW; 12-18 AB HXW 1/2 SN
COV04035	1	1	COVER; TOP, 37.00 X 34.00
PNL25664	4	2	PANEL; WRAPPER, 41.33 X 22.98
COV04037	5	1	COVER; CONTROLS, 11 x 18 INCHES
BAS01834	6	1	BASE; 41.78 X 41.81 DIAGONALLY
COV03228	7	1	COVER, CONTROL BOTTOM
PNL25665	8	1	PANEL; ACCESS, 40.65 X 19.79
PNL25663	10	1	PANEL; WRAPPER, 41.33 X 27.00
PNL26270	11	3	PANEL; CORNER POST, 3.5 x 41.3 INCHES

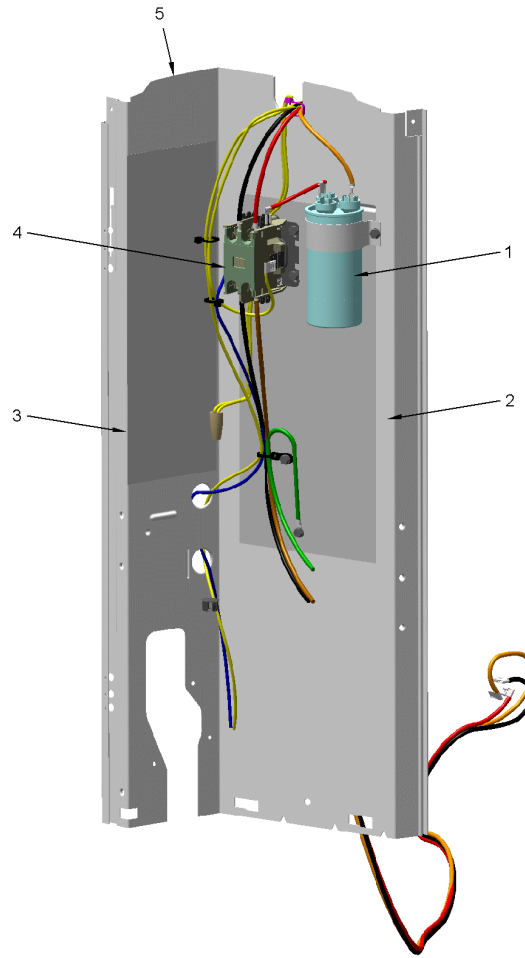
Part No.	Reference No.	Quantity	Description
0000025876~P	*		CONTROLS PARTS LIST

CONTROLS

75010701

REV
A

TYPICAL ILLUSTRATION



Part No.	Reference No.	Quantity	Description
CNT08176	*	1	CONTROL; DEFROST, 5.5 X 3.0
CON00241	*	1	CONNECTOR; WIRE
PAI00246	*	0	PAINT; SPRAY, TARPAULIN GRAY (SHIPPING UOM 12 OZ HAZ)
PNL25790	*	1	PANEL, CONTROL PANEL BASE, 39.14 HEIGHT
PNL31534	*	1	PANEL; VOLTAGE BARRIER; 4.45 X 3.06, BLACK POLYPROPYLENE
SCR01812	*	1	SCREW; 6-32 MA HXW 3/8 S
SCR01918	*	8	SCREW, 10-24 THREAD ROLL, INDENT HEX WASHER HD
SCR01924	*	5	SCREW; 6-32 X .75, THREAD ROLLING SCREWS-ZINC PLATED, HEX WASHER
SEN02353	*	1	SENSOR; ASSEMBLY, AMBIENT, 10 IN WIRE LENGTH, -40C TO 105C OP TEMP RANGE, 14 IN WIRE LENGTH
SEN02907	*	1	SENSOR; COIL, 5/16 CLIP, YELLOW WIRES, 54 IN LENGTH
SRP00269	*	1	STRAP; CAPACITOR
TER00312	*	4	TERMINAL; 8IN. TIE CABLE
TIE00007	*	4	TIE;CABLE
WIR04816	*	1	WIRE; PLUG-SCROLL COMPRESSOR
WIR07598	*	1	WIRE; HARNESS, 9 PIN TO J4 ON DFC
WIR07599	*	1	WIRE; HARNESS, CONTROL BOX, K2B ON DFC TO MS & MOTOR
CPT00449	1	1	CAPACITOR; RUN, 45 MFD, 370V, ROUND, W/O RESISTOR
SHD00386	2	1	SHIELD; MOISTURE, 12.75 X 5.00
CTR01028	4	1	CONTACTOR; 2P, 40A 600V CONTACTS, 24 CV, 60HZ
SHD00387	5	1	SHIELD; MOISTURE, 10.25 X 4.00

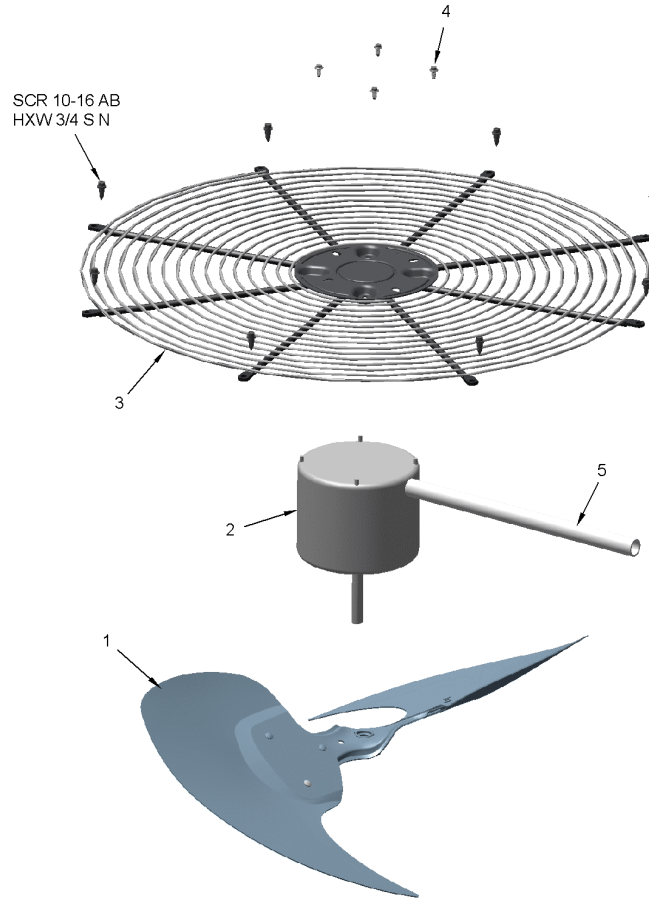
Part No.	Reference No.	Quantity	Description
0000025857~P	*		FAN PARTS LIST

FAN

75010673

REV
A

TYPICAL ILLUSTRATION



Part No.	Reference No.	Quantity	Description
FAN04460	1	1	FAN; 2 SWEPT BLADES, 27.5" DIA, 25.2 DEG PITCH, 0.50" BORE, CCW, ALUMINUM, 1 SET SCREW-STEEL, SPIDER 0.075 THK
MOT18698	2	1	MOTOR; OD ECM 1/3HP 230V
GRL01348	3	1	GRILLE; FAN, 29 IN DIA, SPIRAL WIRE, BASALT GREY
SCR02086	4	4	SCREW; 10-32 TR-3 HXW 3/8 S

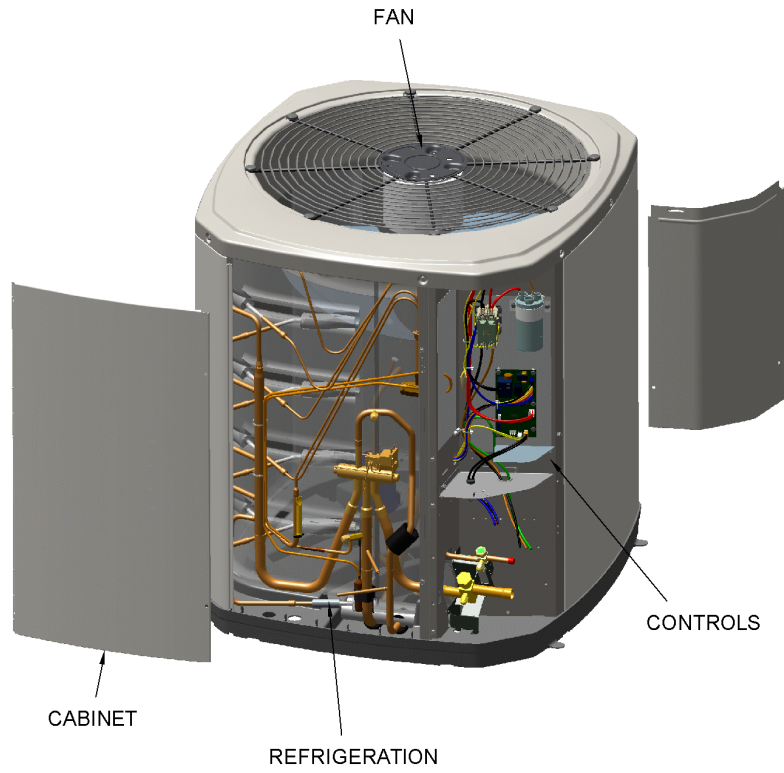
Part No.	Reference No.	Quantity	Description
0000025816~P	*		GENERAL ASSEMBLY GRAPHIC

SPLIT SYSTEM HEAT PUMP

75010795

REV.
A

TYPICAL ILLUSTRATION



Part No.	Reference No.	Quantity	Description
0000026112~P	*		MODEL NUMBER DESCRIPTION

MODEL NUMBER DESCRIPTION

75005587

REL
C

OUTDOOR UNITS

Example Model Number:

4 A 7 A 0 0 3 6 A 1 0 0 0 A A
1 - - - 5 - - - 10 - - - 15

Digit 1 – Refrigerant Type

2 = R-22
4 = R-410A

Digit 2 – American Standard

Digit 3 – Product Type

6,W = Split Heat Pump
7,T = Split Cooling

Digit 4 – Product Family

V = Variable Speed
Z = Leadership - Two Stage
X = Leadership
R = Replacement/Retail
M or B = Basic
A = Light Commercial
L = Side Discharge

Digit 5 – Family SEER

3 = 13 7 = 17
4 = 14 8 = 18
5 = 15 9 = 19
6 = 16 0 = 20

Digits 6 – Split System Connections 1-6 Tons

0 = Brazed

Digits 7,8 – Nominal Capacity in 000s BTUs

Digit 9 – Major Design Modifications

Digit 10 – Power Supply

1 = 200-230/1/60 or 208-230/1/60
3 = 200-230/3/60
4 = 460/3/60

Digit 11,12,13 – Secondary Function

Digit 14 – Minor Design Modifications

Digit 15 – Unit Parts Identifier

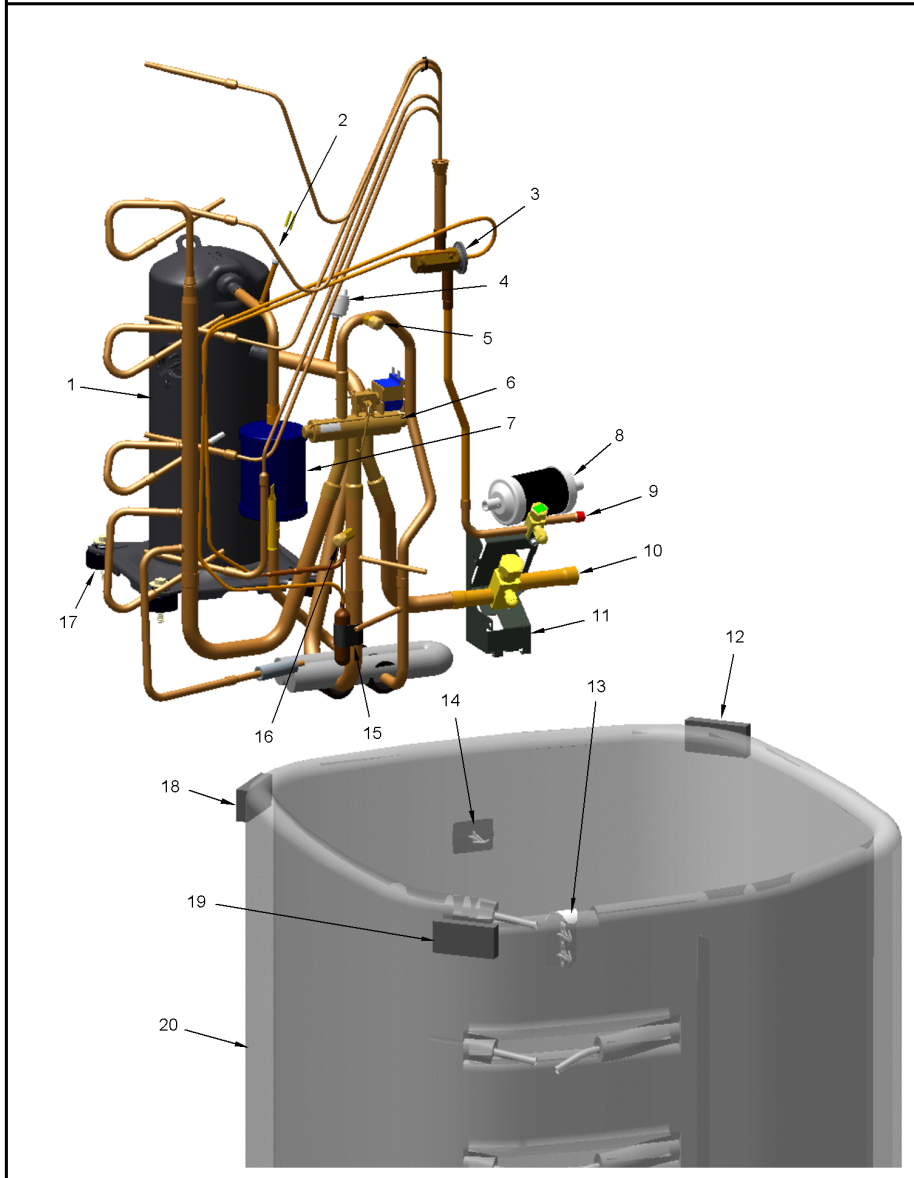
Part No.	Reference No.	Quantity	Description
0000025836~P	*		REFRIGERATION PARTS LIST

REFRIGERATION

75010794

REV
A

TYPICAL ILLUSTRATION



Part No.	Reference No.	Quantity	Description
CAP00455	*	3	CAP; HUB, 7/16-20 STRAIGHT
CAP01431	*	1	CAP; SERVICE VALVE
PAI00246	*	0	PAINT; SPRAY, TARPAULIN GRAY (SHIPPING UOM 12 OZ HAZ)
SCR02010	*	4	SCREW; 12-18 AB HXW 1/2 SN
SCR02054	*	4	SCREW; 12-18 AB HXW 1/2 SN
SLV00082	*	0	SLEEVE;
SLV00083	*	0	SLEEVE;
TER00312	*	0	TERMINAL; 8IN. TIE CABLE
TIE00007	*	0	TIE;CABLE
TIE00023	*	7	TIE;CABLE, 8.00IN.
TUB02810	*	16	TUBE; TRANSITION
TUB11547	*	16	TUBE; TRANSITION ASSEMBLY
TUB15622	*	1	TUBE; TU ASM DISCHARGE BZ
VAL19890	*	1	VALVE; SER GAS 0(14-14)
COM13577	1	1	COMPRESSOR; SCROLL, 2.83 TON, R-410A, 230V/1PH/60HZ WITH ALUMINUM MOTOR
SWT03277	2	1	SWITCH, HIGH PRESSURE, SPST, OPEN AT 650 PSIG, CLOSE AT 500 PSIG, 91 IN. YELLOW AND RED LEAD
VAL19483	3	1	VALVE; TEV HXCE 2 ZX200
VAL08884	6	1	VALVE; SWITCHOVER, 6 TON, 5/8 IN ODF X 7/8 IDF CONNECTION (INCLUDES SOLENOID COIL)
MFL00806	7	1	MUFFLER; 1/2 ODF CONNECTION (DRIER COULD BE PAINTED EITHER SMOKE GRAY OR NAVY BLUE)
CAP01336	9	1	CAP; SERVICE LIQUID VALVE, BRASS, 0.75 OD X 0.57 ID X 11/16-28UN-2B
CAP01411	10	1	CAP; SERVICE VALVE, BRASS, 1.19 OD X 0.93 ID X 17/16-20UN-2B
BRK03020	11	1	BRACKET; VALVE
CLP00181	15	1	CLIP; BULB
COR00103	16	1	CORE; VALVE, .79 LENGTH, .206-36 UNS-1 MOD. THD
COL28897	20	0	COIL; SPINE FIN