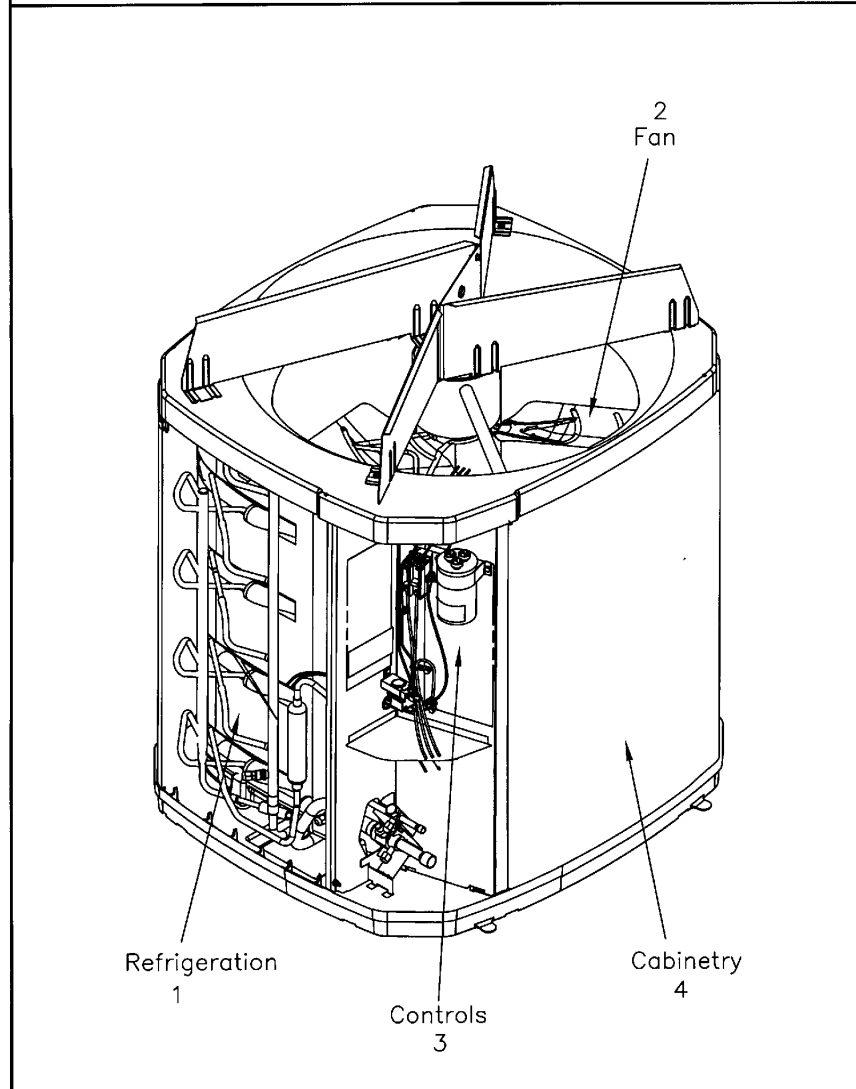


GENERAL ASSEMBLY

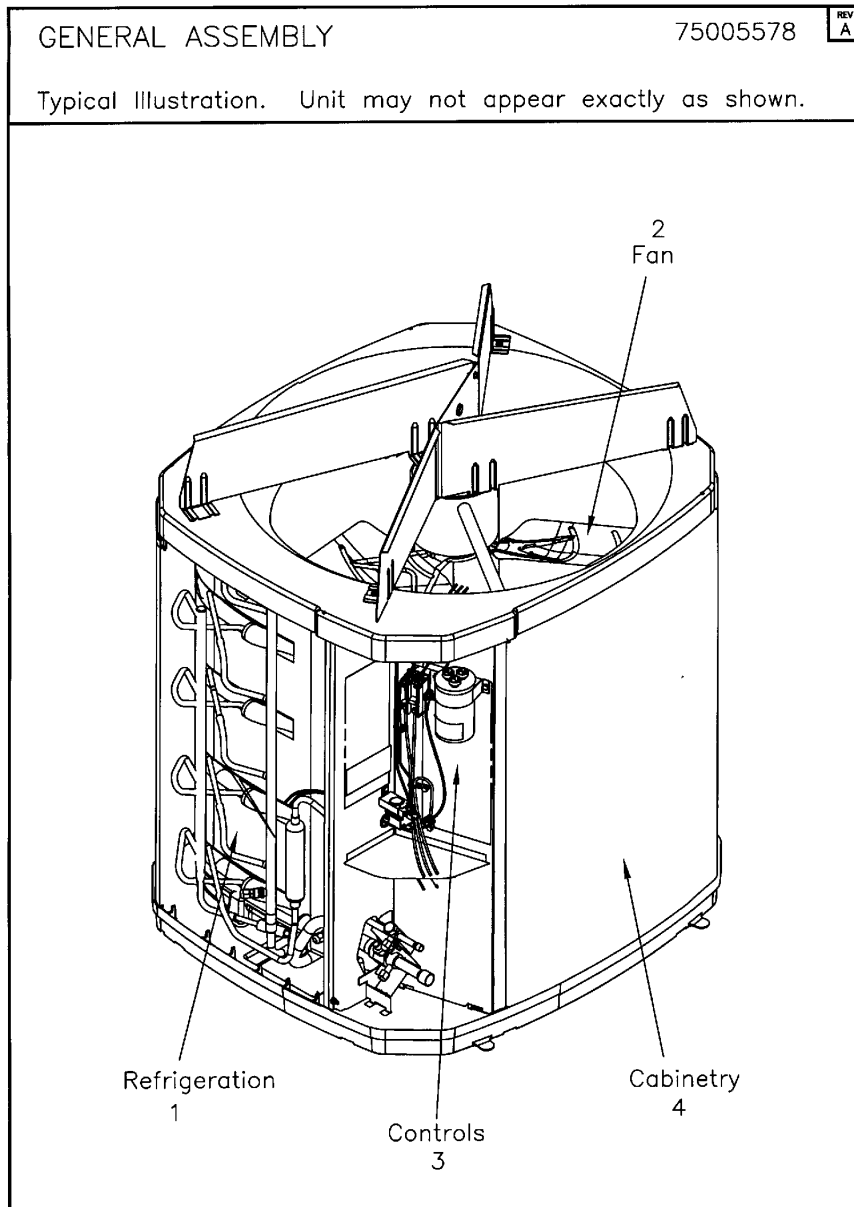
75005578

REV
A

Typical Illustration. Unit may not appear exactly as shown.



| Part No. | Reference No. | Quantity | Description |
|----------------------------|----------------------|-----------------|--------------------------------------|
| 75005592#4A6H6UP6~S | * | | CABINTRY |
| 75009895#4A6H6UP6~S | * | | CONTROLS |
| 75005593#4A6H6UP6~S | * | | FAN |
| 75005578_4A6H6UP6_273868~P | * | | GENERAL ASSEMBLY PARTS LIST |
| 75005587#4A6H6UP6~S | * | | MODEL NUMBER DESCRIPTION |
| OPTIONS#4A6H6UP6~S | * | | OPTIONAL FIELD INSTALLED ACCESSORIES |
| 75009223#4A6H6UP6~S | * | | REFRIGERATION |

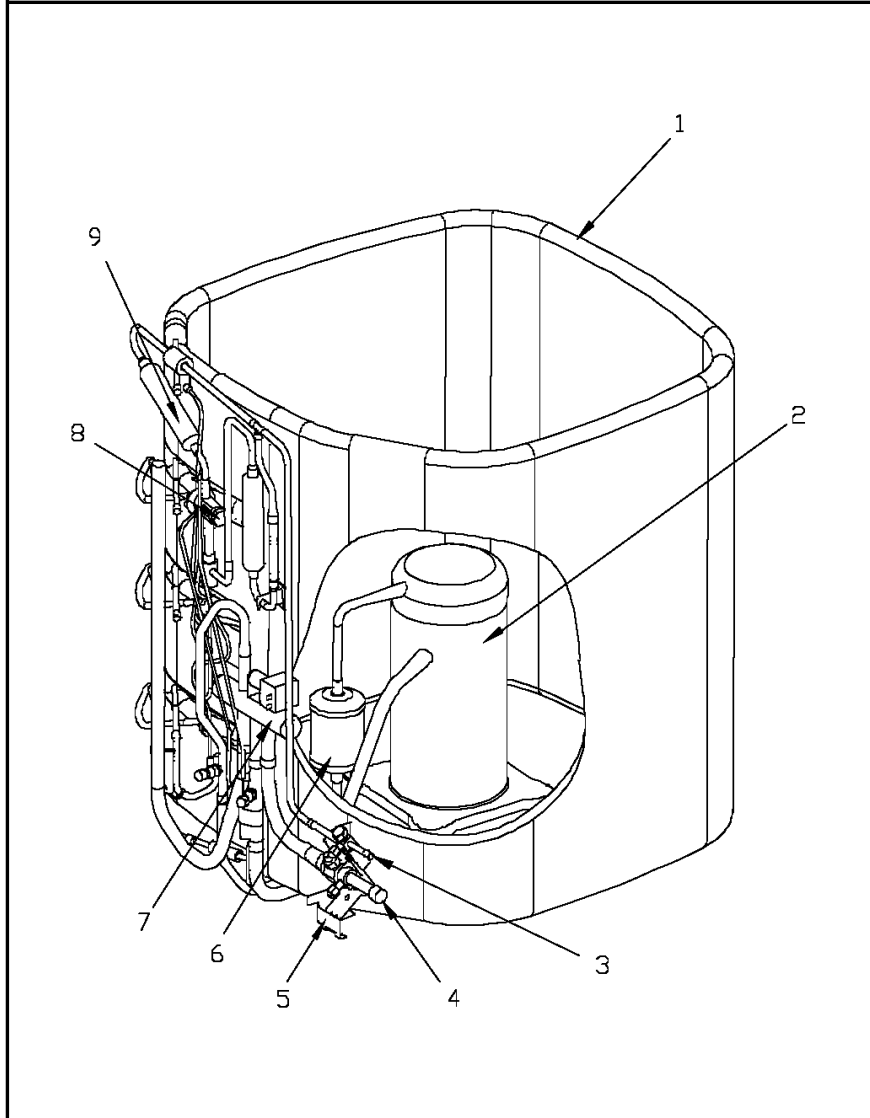


REFRIGERATION

75009223

REV
A

Typical Illustration. Unit may not appear exactly as shown.



Parts List Number :75005578#4A6H6UP6

Model Number :4A6H6036E1000BA

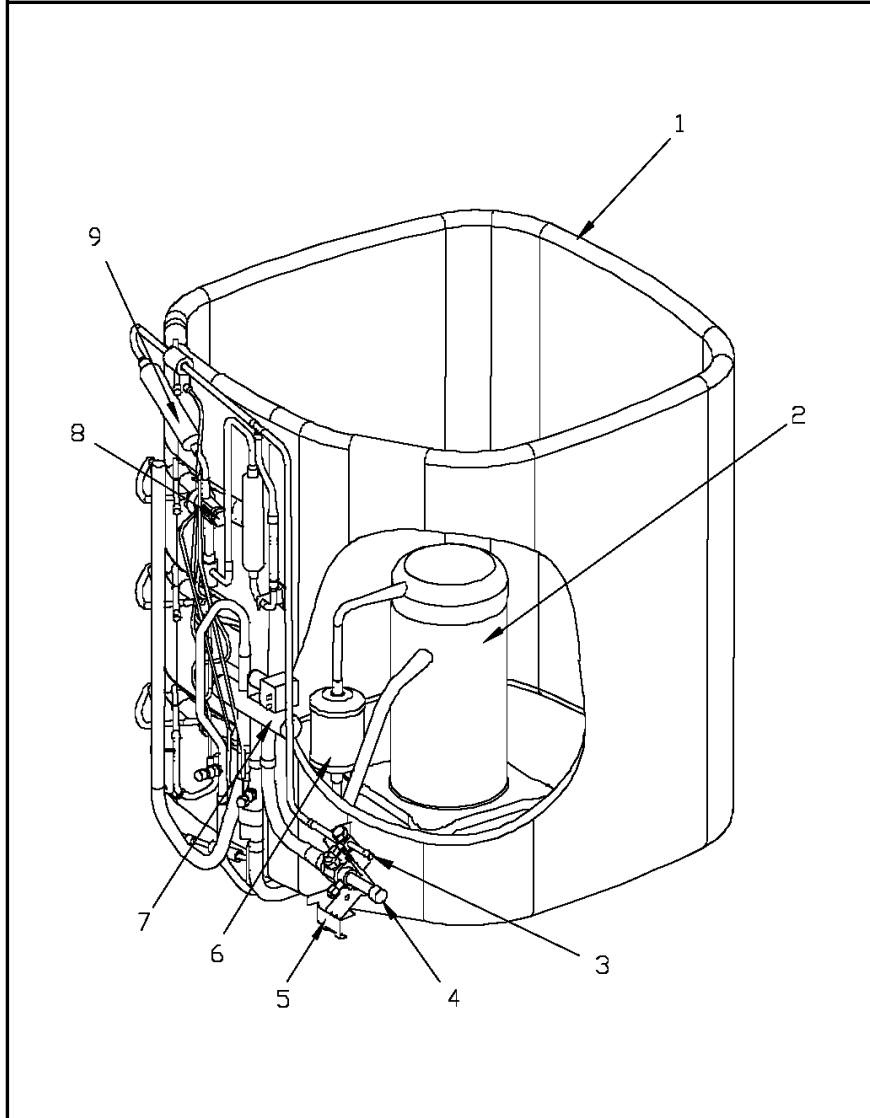
| Part No. | Reference No. | Quantity | Description |
|----------------------------|---------------|----------|--------------------------|
| 75009223_4A6H6UP6_352950~P | * | | REFRIGERATION PARTS LIST |

REFRIGERATION

75009223

REV
A

Typical Illustration. Unit may not appear exactly as shown.



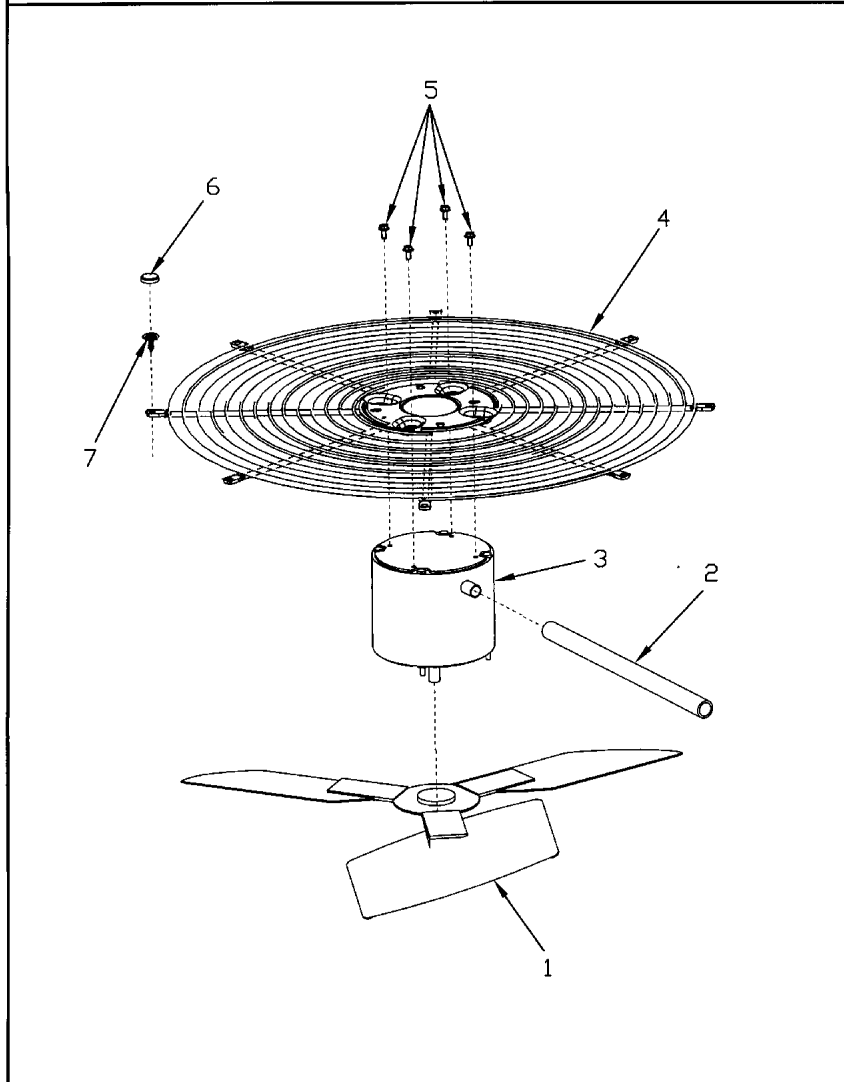
| Part No. | Reference No. | Quantity | Description |
|----------|---------------|----------|--|
| BOD00114 | * | 1 | BODY; VALVE, BRASS, 7/16 HEX, 7/16 -20 UNF-2A |
| CLP00185 | * | 1 | CLIP; TDL |
| CLP01039 | * | 1 | CLIP; STRAIN RELIEF |
| CLP01101 | * | 1 | CLIP; TUBE, BLACK PLASTIC |
| COL14716 | * | 1 | COIL; 24V, 50/60, FOR SANHUA REVERSING VALVE |
| COR00103 | * | 3 | CORE; VALVE, .79 LENGTH, .206-36 UNS-1 MOD. THD |
| DHY00187 | * | 1 | DRIER; FILTER,SUCTION LINE, C306STHH, 3/4 ODF |
| HTR07611 | * | 1 | HEATER; SUMP, 40 WATT, 230 VOLT, 6.5 DIA |
| ISR00007 | * | 4 | ISOLATOR; VIBRATION |
| MFL00806 | * | 1 | MUFFLER; 1/2 ODF CONNECTION (DRIER COULD BE PAINTED EITHER SMOKE GRAY OR NAVY BLUE) |
| PLU01057 | * | 1 | PLUG; COMPRESSOR SOLENOID, 2 LEADS, WHITE WIRES, 85 IN LENGTH |
| RES00118 | * | 1 | RESISTOR; THERMISTOR , 260 OHMS AT 75 DEGREE F |
| SCR01914 | * | 4 | SCREW, ASSEMBLY COMPRESSOR, 5/16-12 TYPE B, W/WASHER & SLEEVE |
| SHD00423 | * | 1 | SHIELD; SALT, 47.75 X 8.00 |
| SPC00382 | * | 1 | SPACER; ORIFICE |
| SPC00386 | * | 1 | SPACER; BASE, 5.50 X 1.00 X 0.50 |
| SWT03273 | * | 1 | SWITCH, HIGH PRESSURE, SPST, OPEN @ 650 PSIG, CLOSE @ 500 PSIG, 88° YELLOW LEAD |
| SWT03363 | * | 1 | SWITCH; LOW PRESSURE, OPEN @ 25 PSIG CLOSE @ 45 PSIG |
| VAL09212 | * | 1 | VALVE;CAM 1.6MM, EEV, 4TWZ0036, 4TWZ0048 |
| WIR04816 | * | 1 | WIRE; PLUG-SCROLL COMPRESSOR |
| COL16439 | 1 | 1 | COIL; SPINE FIN-5 SIDED |
| COM10799 | 2 | 1 | COMPRESSOR; SCROLL, ALLIANCE, TXA030C1BTZ, 2.5 TON, 208V-230V/60/1, R-410A, 3/4 SUCTION, 1/2 DISCHARGE, STUB TUBE |
| VAL09302 | 3 | 1 | VALVE, SERVICE LIQUID, .31 ODF X .38 ODF |
| VAL07327 | 4 | 1 | VALVE, SERVICE GAS, .75 OD X .75 OD, BALL VALVE ASSY, BRASS, FEMALE BRAZE TO FEMALE BRAZE, LEFT HAND SERVICE PORT |
| BRK03020 | 5 | 1 | BRACKET; VALVE |
| DHY01452 | 6 | 1 | DRIER; BI-FLOW; SERVICE FIRST; 16 CU. IN; DCB163S, 3/8 ODF CONNECTIONS; 5.7 TON CAPACITY; APPROVED FOR MINERAL OIL AND POE OIL REFRIGERANTS; MANUFACTU |
| VAL08882 | 7 | 1 | VALVE; SWITCHOVER, 4 TON (INCLUDES SOLENOID COIL) |

FAN

75005593

REV
A

Typical Illustration. Unit may not appear exactly as shown.



Parts List Number :75005578#4A6H6UP6

Model Number :4A6H6036E1000BA

| Part No. | Reference No. | Quantity | Description |
|----------------------------|---------------|----------|----------------|
| 75005593_4A6H6UP6_352949~P | * | | FAN PARTS LIST |



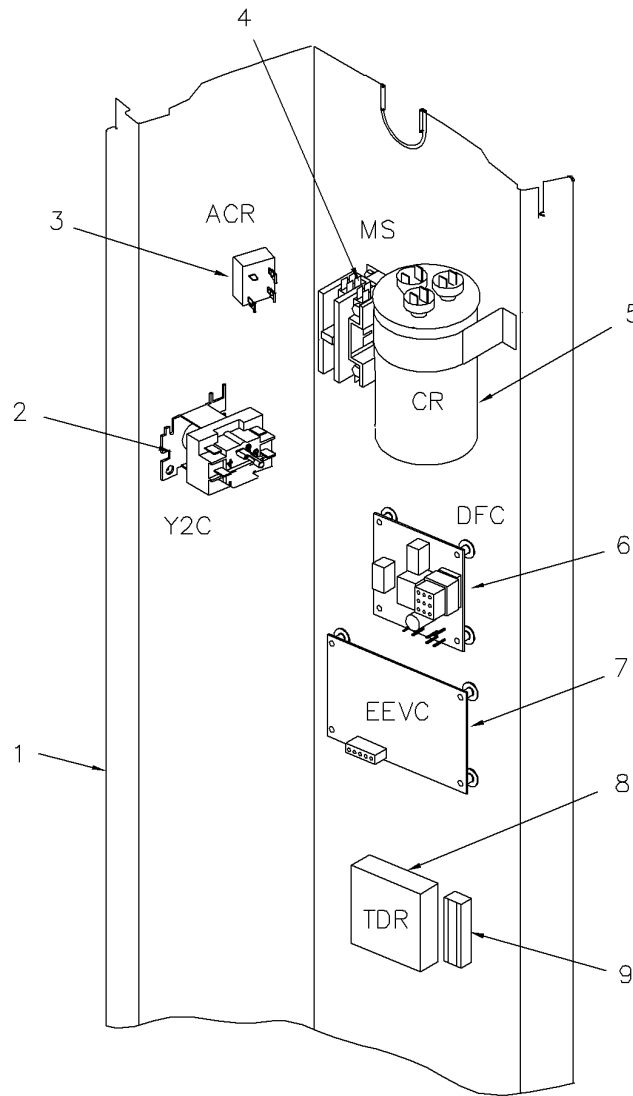
| Part No. | Reference No. | Quantity | Description |
|----------|---------------|----------|--|
| COV03250 | * | 1 | COVER; MOTOR, 6.86 DIA |
| FAN04321 | 1 | 1 | FAN; 2 SWEPT BLADE, 27.5" DIA, 21 DEGREES PITCH, .50" BORE, CCW, ALUMINUM, 1 SET SCREW-STEEL |
| GRD01416 | 2 | 1 | GUARD, TROUGH-LEAD |
| MOT14328 | 3 | 1 | MOTOR; 1/8 HP, 200/230/60/1, 825 RPM, 48 FRAME, PSC, SLEEVE BEARING, CCW, 5 MFD CPT @ 370V |
| GRL01348 | 4 | 1 | GRILLE; FAN, 29 IN DIA, SPIRAL WIRE, BASALT GREY |
| SCR02086 | 5 | 4 | SCREW; 10-32 TR-3 HXW 3/8 S |
| CAP00913 | 6 | 8 | CAP; RETAINER |
| SCR01976 | 7 | 8 | SCREW; NUMBER 10 X 3/4 NO SLOT HWH T/S STEEL ZY .0002 THK BAKE TY AB GROUNDING EYELET |

Controls

75009895

REV
A

Typical illustration. Unit may not appear exactly as shown.



Parts List Number :75005578#4A6H6UP6

Model Number :4A6H6036E1000BA

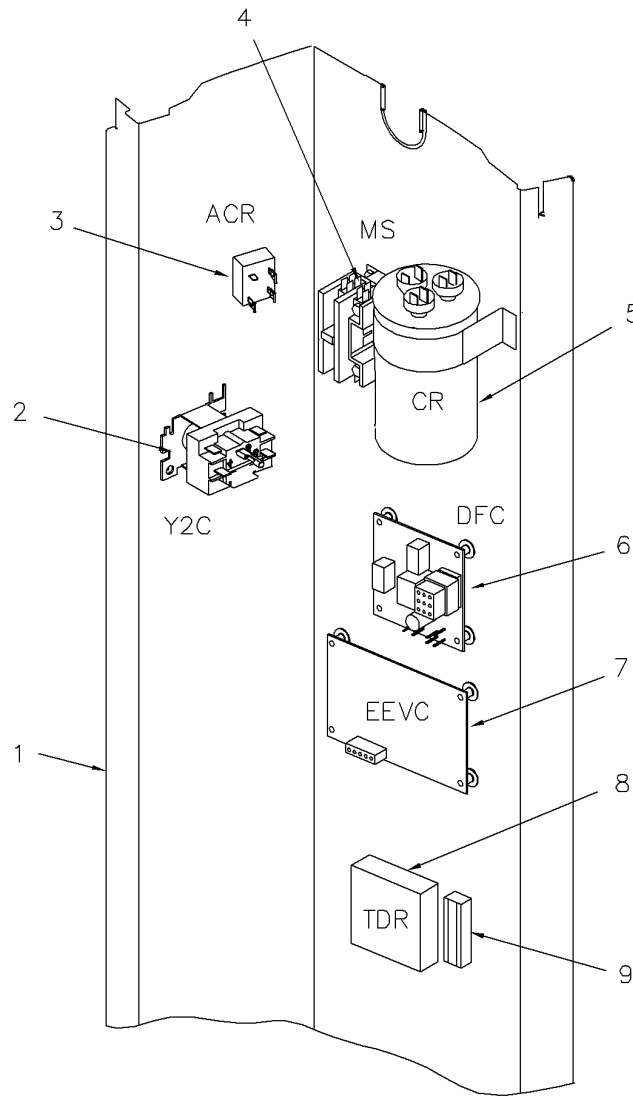
| Part No. | Reference No. | Quantity | Description |
|----------------------------|---------------|----------|---------------------|
| 75009895_4A6H6UP6_352951~P | * | | CONTROLS PARTS LIST |

Controls

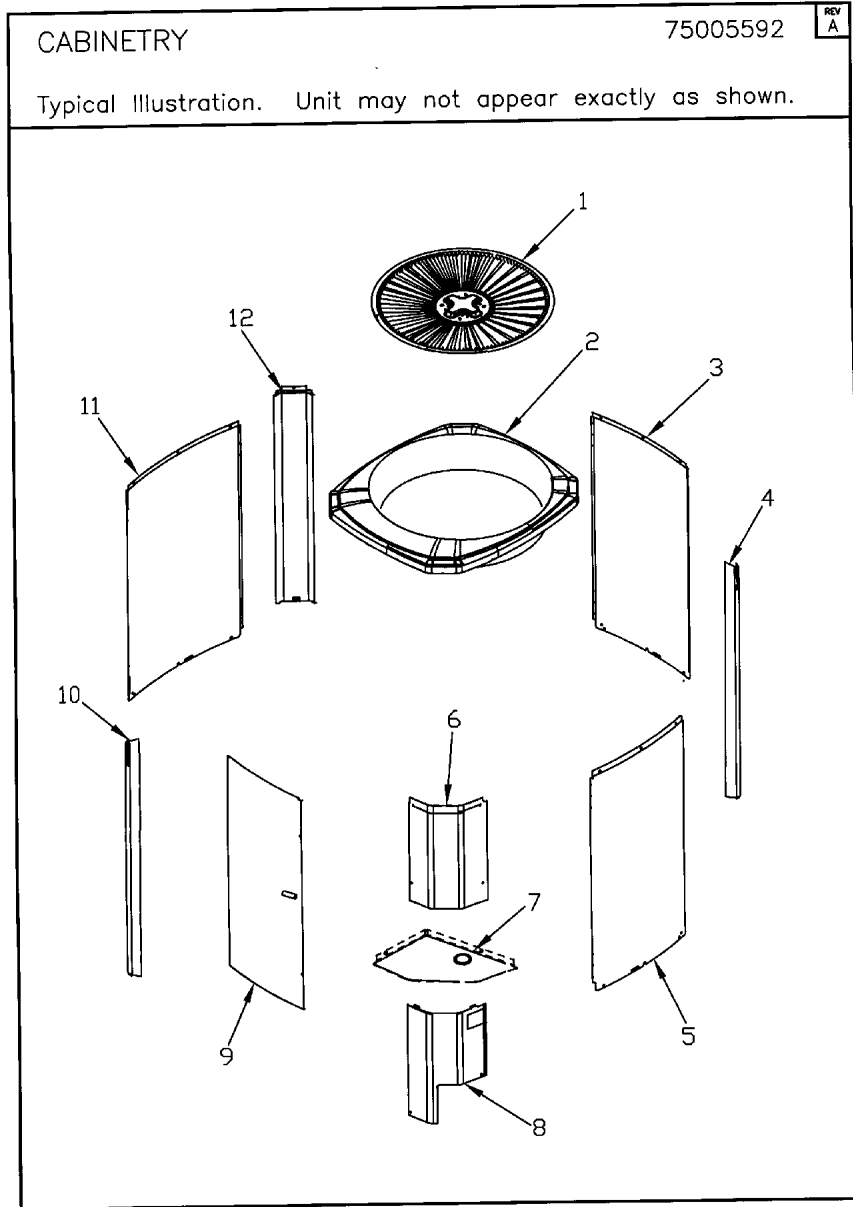
75009895

REV
A

Typical illustration. Unit may not appear exactly as shown.



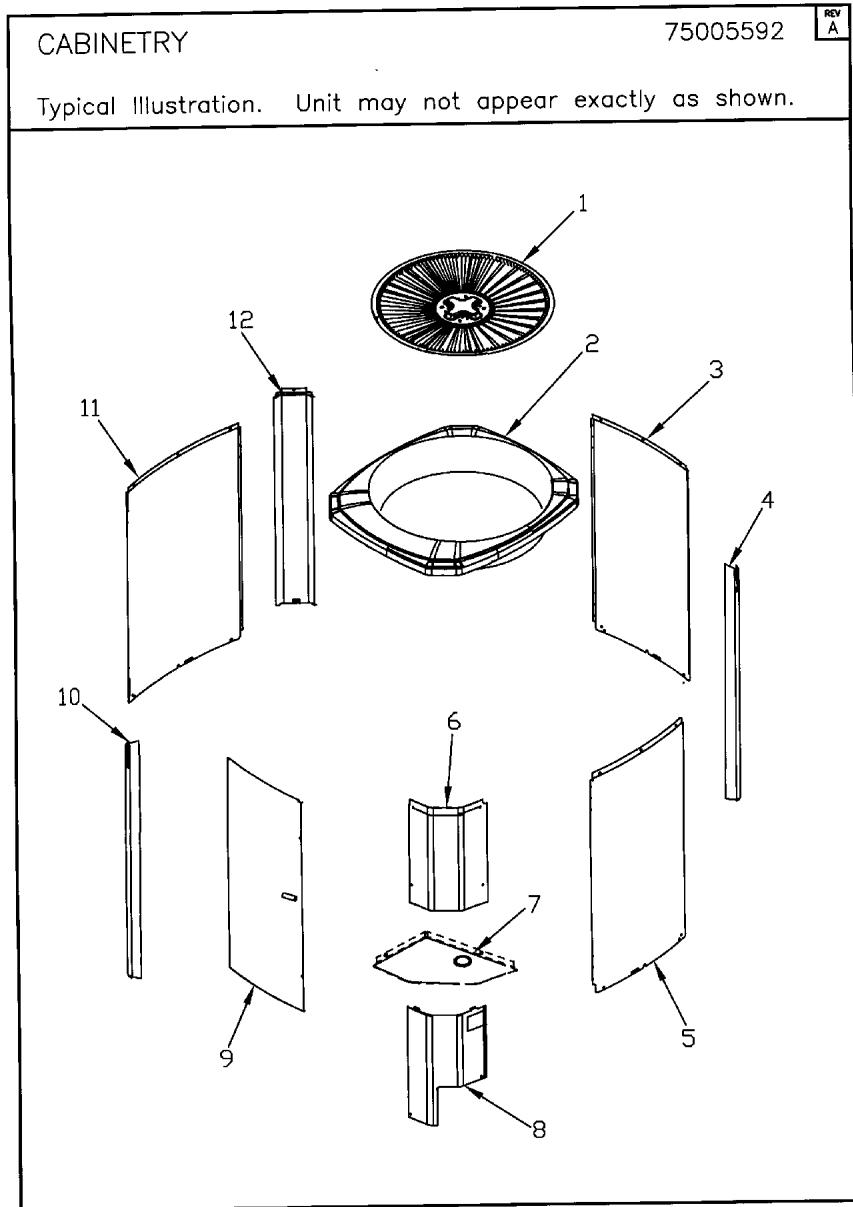
| Part No. | Reference No. | Quantity | Description |
|----------|---------------|----------|---|
| COL15628 | * | 1 | COIL; MOTOR ASM-EEV, STATOR (SC) |
| CON00241 | * | 3 | CONNECTOR; WIRE |
| CPL01039 | * | 1 | COUPLING; REDUCING COUPLING, 1-1/2" DOWN TO 1-1/4", FNPT x FNPT |
| RES00118 | * | 1 | RESISTOR; THERMISTOR , 260 OHMS AT 75 DEGREE F |
| SEN01541 | * | 1 | SENSOR; ASSEMBLY, 9.75K OHMS AT 75F, YELLOW LEADS (CBS-COIL SENSOR) |
| SEN01587 | * | 1 | SENSOR; EEV, 0.750 TUBE, SUCTION LINE TEMPERATURE SENSOR, 32 IN BLACK WIRES |
| SEN01637 | * | 1 | SENSOR; ASSEMBLY, (CBS), 19-BK AND 21-BK IN LEAD LENGTH |
| SHD00386 | * | 2 | SHIELD; MOISTURE, 12.75 X 5.00 |
| SHD00387 | * | 2 | SHIELD; MOISTURE, 10.25 X 4.00 |
| TDR00365 | * | 1 | TRANSDUCER, FOUR PIN OUTDOOR PRESSURE SENSOR, SUCTION LINE |
| THT02681 | * | 1 | THERMOSTAT; TERMINATOR, 240V, SPST, OPEN AT 105F, CLOSE AT 73F, PR/WH WIRES, 89 IN LENGTH |
| WIR05264 | * | 1 | WIRE; HARNESS CONTROL PANEL |
| PNL25790 | 1 | 1 | PANEL, CONTROL PANEL BASE, 39.14 HEIGHT |
| RTF00058 | 3 | 1 | RECTIFIER; BRIDGE |
| CTR00845 | 4 | 1 | CONTACTOR; 30 AMP, 240/480/600V, 24V COIL, 1 POLE |
| CPT00668 | 5 | 1 | CAPACITOR; DUAL, 440V, 40/5 MFD, ROUND, W/O RESISTOR |
| CNT05010 | 6 | 1 | CONTROL; DEFROST |
| CNT06421 | 7 | 1 | CONTROL; EEV BOARD ASSEMBLY |



Parts List Number :75005578#4A6H6UP6

Model Number :4A6H6036E1000BA

| Part No. | Reference No. | Quantity | Description |
|----------------------------|---------------|----------|---------------------|
| 75005592_4A6H6UP6_273870~P | * | | CABINETY PARTS LIST |



| Part No. | Reference No. | Quantity | Description |
|----------|---------------|----------|---|
| BAS01834 | * | 1 | BASE; 41.78 X 41.81 DIAGONALLY |
| PAI00074 | * | 1 | PAINT; SPRAY, SLATE GREY, FULL GLOSS(88) (SHIPPING UOM 12 OZ HAZ) |
| PAI00207 | * | 1 | PAINT; SPINNAKER GRAY (SHIPPING UOM 12 OZ HAZ) SPRAY CAN |
| PAI00248 | * | 1 | PAINT; 12 OZ SPRAY, ANTHRACITE GRAY (SHIPPING UOM 12 OZ HAZ) |
| PLT04897 | * | 1 | PLATE; BADGE AMERICAN STANDARD PLATINUM |
| SCR02010 | * | 21 | SCREW; 12-18 AB HXW 1/2 SN |
| GRL01348 | 1 | 1 | GRILLE; FAN, 29 IN DIA, SPIRAL WIRE, BASALT GREY |
| COV04462 | 2 | 1 | COVER; TOP |
| PNL25664 | 3 | 1 | PANEL; WRAPPER, 41.33 X 22.98 |
| PNL26270 | 4 | 1 | PANEL; CORNER POST, 3.5 x 41.3 INCHES |
| PNL25664 | 5 | 1 | PANEL; WRAPPER, 41.33 X 22.98 |
| COV04038 | 6 | 1 | COVER; CONTROLS, 11 x 26 INCHES |
| COV03228 | 7 | 1 | COVER, CONTROL BOTTOM |
| COV04041 | 8 | 1 | COVER; VALVE, 11.32 x15.4 INCHES |
| PNL25665 | 9 | 1 | PANEL; ACCESS, 40.65 X 19.79 |
| PNL26270 | 10 | 1 | PANEL; CORNER POST, 3.5 x 41.3 INCHES |
| PNL25663 | 11 | 1 | PANEL; WRAPPER, 41.33 X 27.00 |
| PNL26270 | 12 | 1 | PANEL; CORNER POST, 3.5 x 41.3 INCHES |

MODEL NUMBER DESCRIPTION

75005587

REL
C

OUTDOOR UNITS

Example Model Number:

4 A 7 A 0 0 3 6 A 1 0 0 0 A A
1 - - - 5 - - - 10 - - - 15

Digit 1 – Refrigerant Type

2 = R-22
4 = R-410A

Digit 2 – American Standard

Digit 3 – Product Type

6,W = Split Heat Pump
7,T = Split Cooling

Digit 4 – Product Family

V = Variable Speed
Z = Leadership - Two Stage
X = Leadership
R = Replacement/Retail
M or B = Basic
A = Light Commercial
L = Side Discharge

Digit 5 – Family SEER

3 = 13 7 = 17
4 = 14 8 = 18
5 = 15 9 = 19
6 = 16 0 = 20

Digits 6 – Split System Connections 1-6 Tons

0 = Brazed

Digits 7,8 – Nominal Capacity in 000s BTUs

Digit 9 – Major Design Modifications

Digit 10 – Power Supply

1 = 200-230/1/60 or 208-230/1/60
3 = 200-230/3/60
4 = 460/3/60

Digit 11,12,13 – Secondary Function

Digit 14 – Minor Design Modifications

Digit 15 – Unit Parts Identifier

| Part No. | Reference No. | Quantity | Description |
|----------------------------|---------------|----------|-------------------------------------|
| 75005587_4A6H6UP6_273869~P | * | | MODEL NUMBER DESCRIPTION PARTS LIST |

MODEL NUMBER DESCRIPTION

75005587

REL
C

OUTDOOR UNITS

Example Model Number:

4 A 7 A 0 0 3 6 A 1 0 0 0 A A
1 - - - 5 - - - - 10 - - - - 15

Digit 1 – Refrigerant Type

2 = R-22
4 = R-410A

Digit 2 – American Standard

Digit 3 – Product Type

6,W = Split Heat Pump
7,T = Split Cooling

Digit 4 – Product Family

V = Variable Speed
Z = Leadership - Two Stage
X = Leadership
R = Replacement/Retail
M or B = Basic
A = Light Commercial
L = Side Discharge

Digit 5 – Family SEER

3 = 13 7 = 17
4 = 14 8 = 18
5 = 15 9 = 19
6 = 16 0 = 20

Digits 6 – Split System Connections 1-6 Tons

0 = Brazed

Digits 7,8 – Nominal Capacity in 000s BTUs

Digit 9 – Major Design Modifications

Digit 10 – Power Supply

1 = 200-230/1/60 or 208-230/1/60
3 = 200-230/3/60
4 = 460/3/60

Digit 11,12,13 – Secondary Function

Digit 14 – Minor Design Modifications

Digit 15 – Unit Parts Identifier

Parts List Number :75005578#4A6H6UP6

Model Number :4A6H6036E1000BA

| Part No. | Reference No. | Quantity | Description |
|---------------------------|---------------|----------|---|
| OPTIONS_4A6H6UP6_273874~P | * | | OPTIONAL FIELD INSTALLED ACCESSORIES PARTS LIST |

NO GRAPHIC AVAILABLE

75013702

REV
A

**NO
GRAPHIC
AVAILABLE**

Parts List Number :75005578#4A6H6UP6

Model Number :4A6H6036E1000BA

| Part No. | Reference No. | Quantity | Description |
|----------|---------------|----------|--|
| KIT07731 | * | 1 | KIT; SNOW LEGS, CONTAINS (4) 6" MOUNTING LEGS (BAYLEGS002) |
| KIT07732 | * | 1 | KIT; SNOW LEGS, (4" EXTENSION KIT) (BAYLEGS003) |
| KIT07908 | * | 1 | KIT; START ASSEMBLY (BAYKSKT260) |
| KIT08409 | * | 1 | KIT; VERTICAL AIR DISCHARGE (BAYVDTA004) |
| KIT09425 | * | 1 | KIT; ISOLATOR (BAYISLT101) (CONTAINS A QTY OF 5 ISOLATORS) |
| KIT15190 | * | 1 | KIT; EXTREME MOUNTING CONDITION (BAYECMT004). |
| PAI00309 | * | 1 | PAINT; DARK BROWN, 12 OZ SPRAY CAN, HERESITE AIR DRY PHENOLIC COATING, VR-554T |