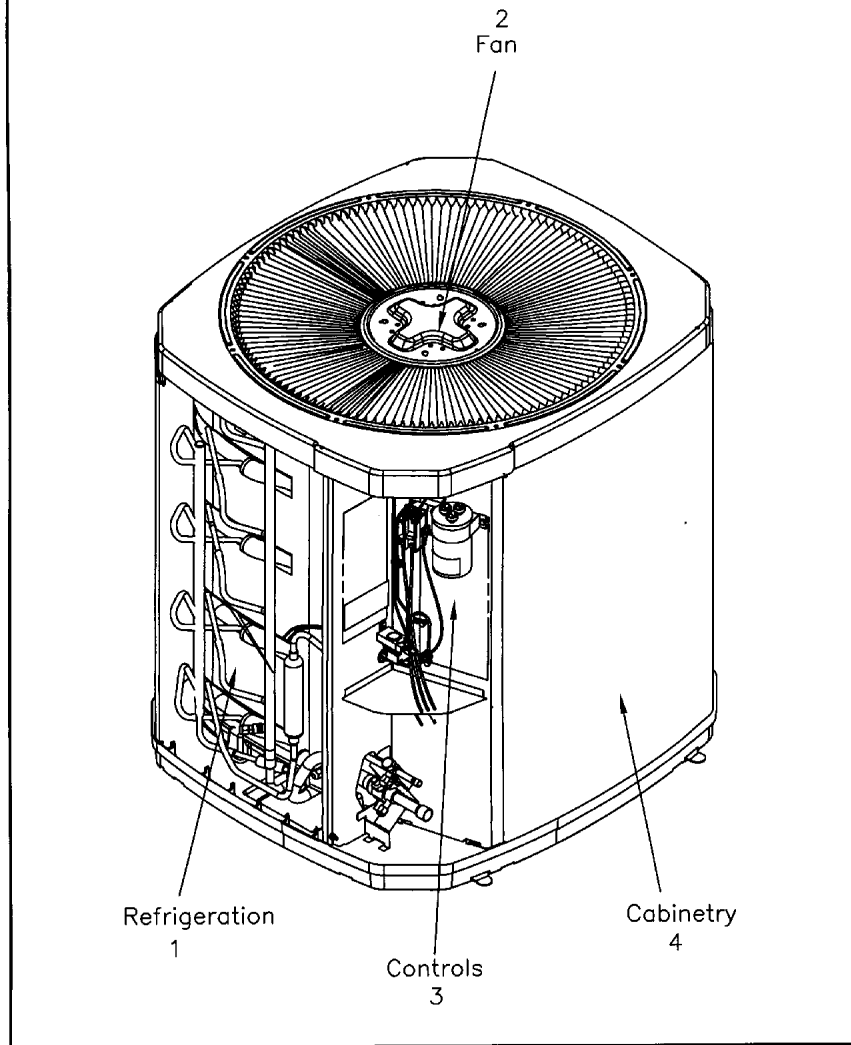


GENERAL ASSEMBLY

75005591

REV  
A

Typical Illustration. Unit may not appear exactly as shown.



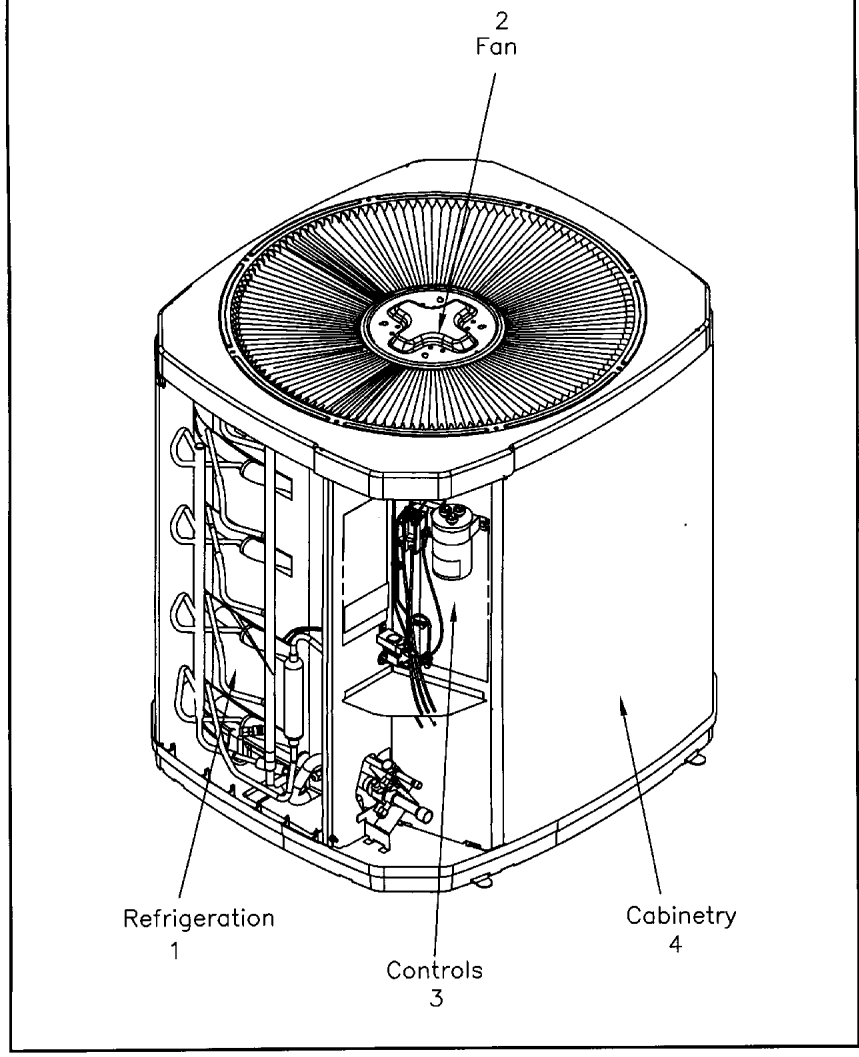
<b>Part No.</b>	<b>Reference No.</b>	<b>Quantity</b>	<b>Description</b>
75005592#4A6H5UP1~S	*		CABINTRY
75008926#4A6H5UP1~S	*		CONTROLS
75005593#4A6H5UP1~S	*		FAN
75005591_4A6H5UP1_207827~P	*		GENERAL ASSEMBLY PARTS LIST
75005587#4A6H5UP1~S	*		MODEL NOMENCLATURE
75005589#4A6H5UP1~S	*		REFRIGERATION

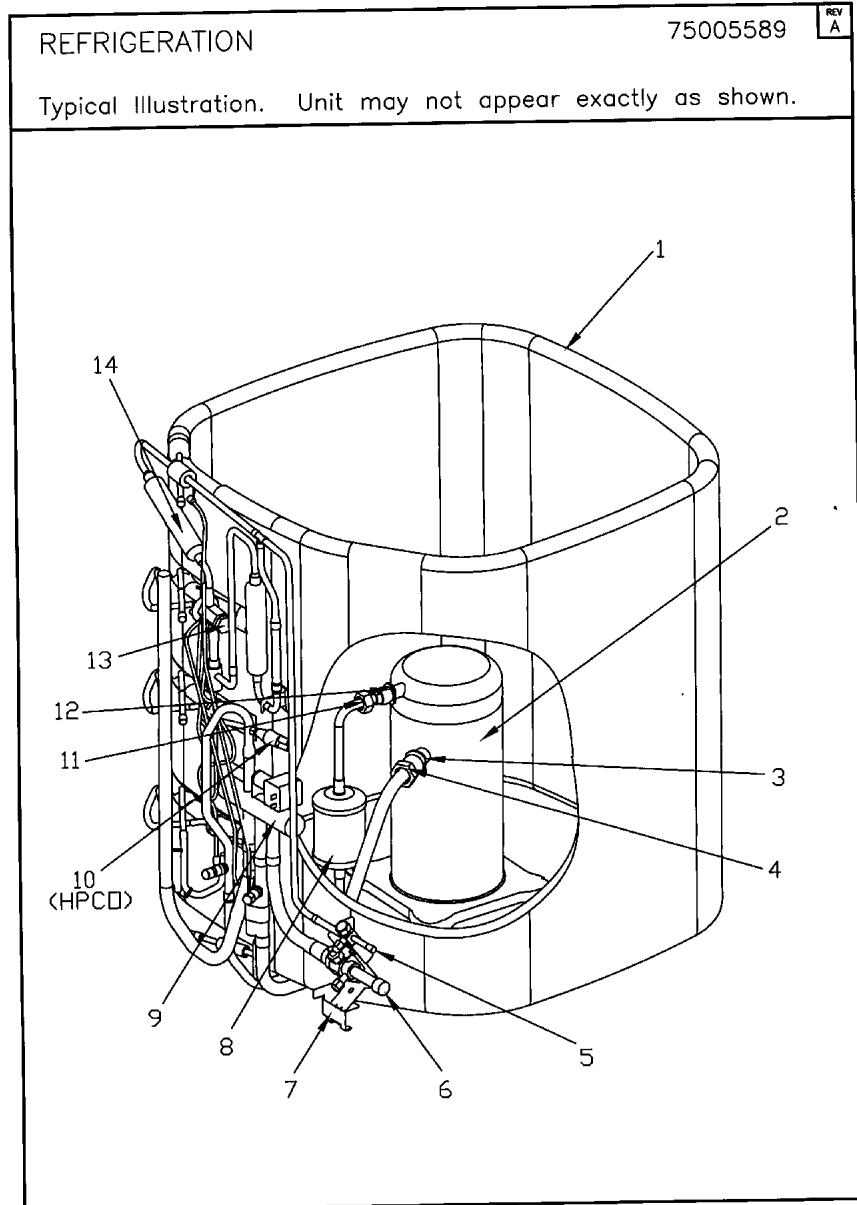
GENERAL ASSEMBLY

75005591

REV  
A

Typical Illustration. Unit may not appear exactly as shown.

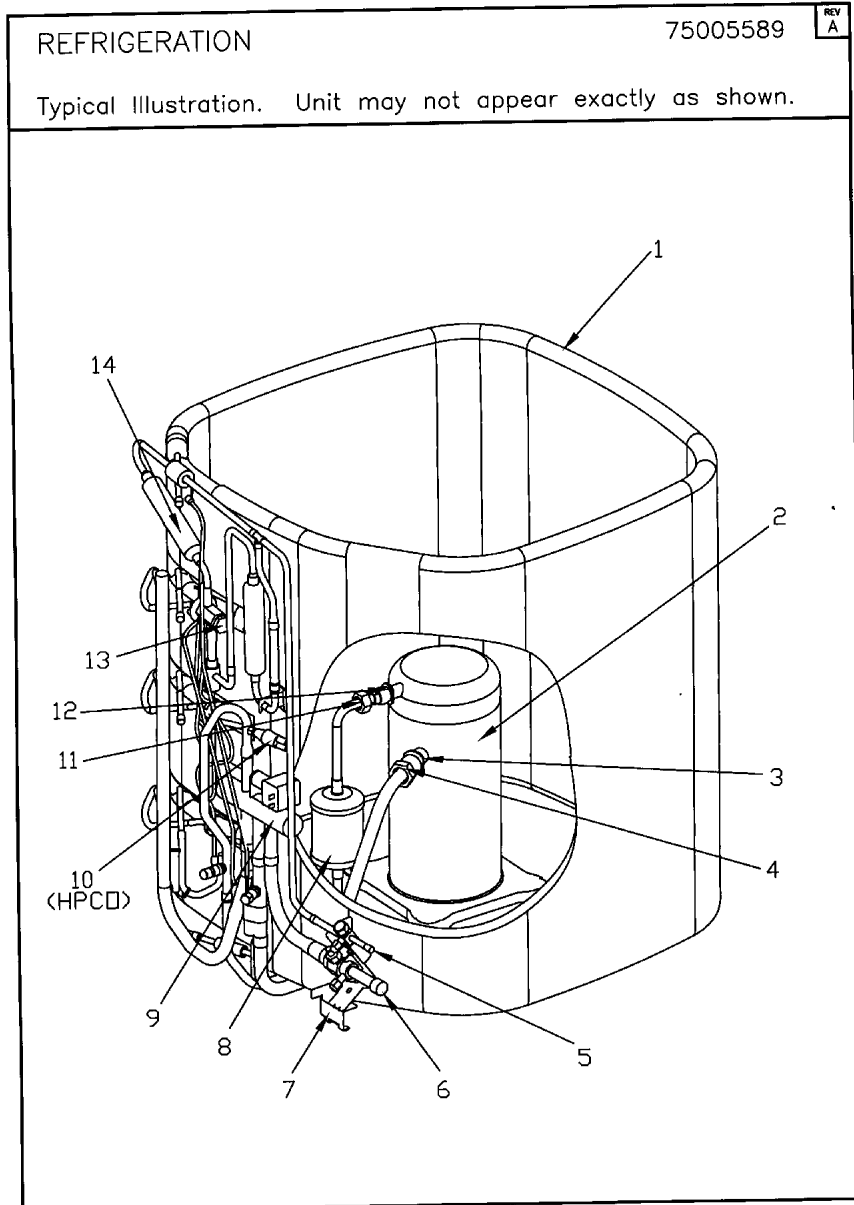




Parts List Number :75005591#4A6H5UP1

Model Number :4A6H5060A1000AA

Part No.	Reference No.	Quantity	Description
75005589_4A6H5UP1_354935~P	*		REFRIGERATION PARTS LIST



Part No.	Reference No.	Quantity	Description
ACC00162	*	1	ACCUMULATOR;
ATT00257	*	1	ENCLOSURE; NOISE, SCROLL, 10.0 ID, 15.59 HEIGHT
CLP01101	*	1	CLIP; TUBE, BLACK PLASTIC
COL14716	*	1	COIL; 24V, 50/60, FOR SANHUA REVERSING VALVE
COR00103	*	1	CORE; VALVE, .79 LENGTH, .206-36 UNS-1 MOD. THD
DHY00184	*	1	DRIER; FILTER, SUCTION LINE, C30E, 7/8 ODF
GKT01532	*	1	GASKET; TEFLON, SIZE 3/4", (FITTING SIZE 1.00-14)
GKT01533	*	1	GASKET; TEFLON, SIZE 1", (FITTING SIZE 1.25-12)
HTR07611	*	1	HEATER; SUMP, 40 WATT, 230 VOLT, 6.5 DIA
ISR00007	*	4	ISOLATOR; VIBRATION
KIT01159	*	1	KIT; ROTOLOCK COMPRESSOR TO BRAZED; 1.00-14 THREAD SIZE ; 1/2 IN TUBE SIZE
KIT01165	*	1	KIT; ROTOLOCK COMPRESSOR TO BRAZED; 1.25-12 THREAD SIZE ; 7/8 IN TUBE SIZE
KIT08369	*	1	KIT; CORE, (KIT CONTAINS COR00006 VALVE PORT AND COR00092 CORE BODY)
SCR01914	*	4	SCREW, ASSEMBLY COMPRESSOR, 5/16-12 TYPE B, W/WASHER & SLEEVE
SCR01919	*	0	SCREW, 12-24 X 1/2 THREAD FORMING, IND HEX FLG WASHER HEAD (1 CTN = 25 PCS)
SHD00423	*	1	SHIELD; SALT, 47.75 X 8.00
SWT03158	*	1	SWITCH; LOW PRESSURE, SPST, OPENS AT 35 PSIG, CLOSSES AT 55 PSIG
WIR04816	*	1	WIRE; PLUG-SCROLL COMPRESSOR
COL14714	1	1	COIL; SPINE FIN-5 SIDED
COM08807	2	1	COMPRESSOR; SCROLL, SXA051B1RPZ, 4.2 TONS, 208-230/60/1, R410A, (1.25-12 SUCTION, 1.00-14 DISCHARGE)
SLV00185	3	1	SLEEVE; 3/4" TUBE SIZE
NUT00999	4	1	NUT; 1.25-12 UNF-2B THREAD SIZE (FOR 3/4" OR 5/8" TUBE SIZE)
VAL08527	5	1	VALVE; SERVICE LIQUID
VAL07328	6	1	VALVE, SERVICE GAS, .88 OD X .88 OD, BALL VALVE ASSY, BRASS, FEMALE BRAZE TO FEMALE BRAZE, LEFT HAND SERVICE PORT
BRK03020	7	1	BRACKET; VALVE
MFL00806	8	1	MUFFLER; 1/2 ODF CONNECTION (DRIER COULD BE PAINTED EITHER SMOKE GRAY OR NAVY BLUE)
VAL08884	9	1	VALVE; SWITCHOVER, 6 TON, 5/8 IN ODF X 7/8 IDF CONNECTION (INCLUDES SOLENOID COIL)
SWT03156	10	1	SWITCH; HIGH PRESSURE, SPST, OPEN @ 650 PSIG, CLOSE @ 500 PSIG
NUT01000	11	1	NUT; 1.00-14 UNS-2B THREAD SIZE (FOR 1/2" TUBE SIZE)
SLV00184	12	1	SLEEVE; 1/2" TUBE SIZE
VAL08989	13	1	VALVE; EXPANSION, 0.38 ODS X 0.50 ODS, 5.0 TON-R410A AND POE
DHY01273	14	1	DRIER, BI FLOW, 3/8 ODF, 3+ TON



Parts List Number :75005591#4A6H5UP1

Model Number :4A6H5060A1000AA

Part No.	Reference No.	Quantity	Description
75005593_4A6H5UP1_234995~P	*		FAN PARTS LIST



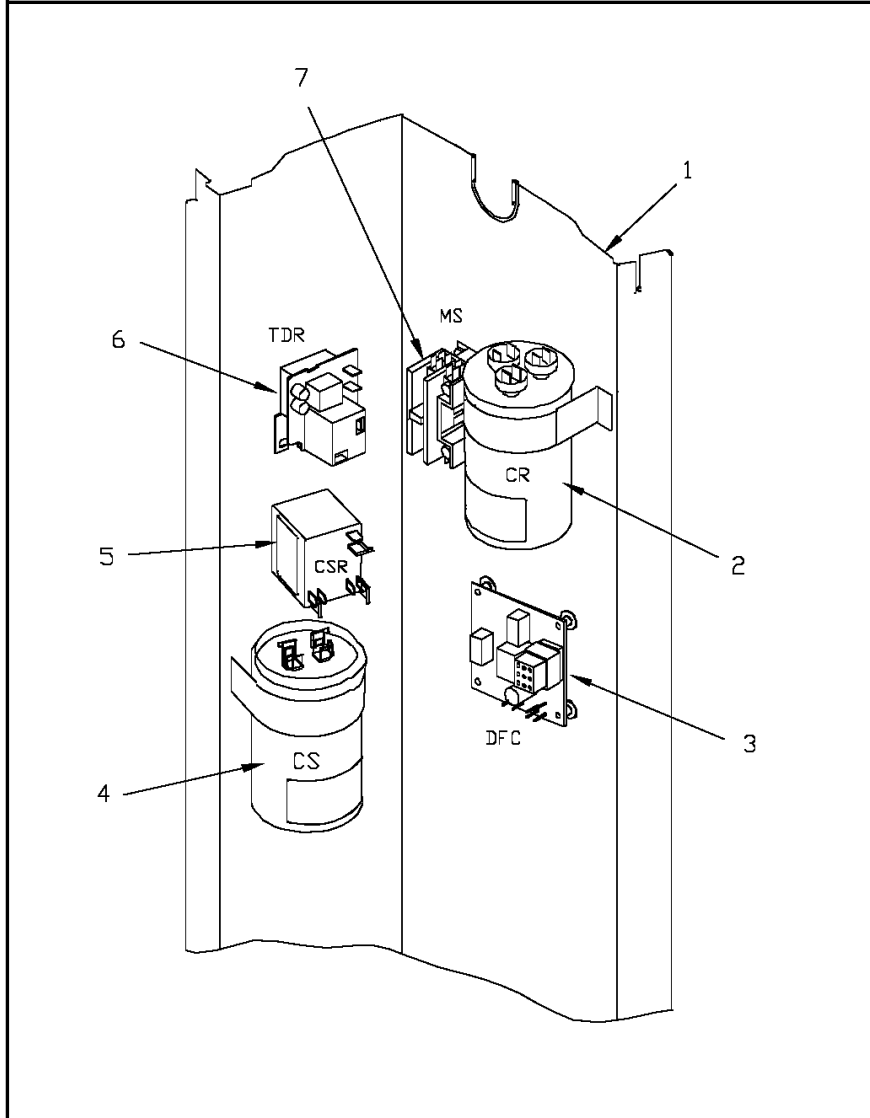
Part No.	Reference No.	Quantity	Description
COV03250	*	1	COVER; MOTOR, 6.86 DIA
MNT01431	*	8	ISOLATOR;
PIN00868	*	8	PIN; SNAP BACK
FAN03980	1	1	FAN; 2 SWEPT BLADE, BLACK PAINTED ALUMINUM, 26.6" DIA, 29 DEG PITCH, .50" BORE, CCW, 1 SET SCREW-STEEL, SPIDER .075 THK, FINISH/PAINT
GRD01416	2	1	GUARD, TROUGH-LEAD
MOT12005	3	1	MOTOR, 1/3 HP, 200/230/60/1, 850 RPM, 48 FRAME, BALL BEARING, CCW
GRL01348	4	1	GRILLE; FAN, 29 IN DIA, SPIRAL WIRE, BASALT GREY
NUT00845	5	4	NUT; FLANGE NIBBED
CAP00913	6	8	CAP; RETAINER
SCR01976	7	8	SCREW; NUMBER 10 X 3/4 NO SLOT HWH T/S STEEL ZY .0002 THK BAKE TY AB GROUNDING EYELET

CONTROLS

75008926

REV  
A

Typical Illustration. Unit may not appear exactly as shown.



Parts List Number :75005591#4A6H5UP1

Model Number :4A6H5060A1000AA

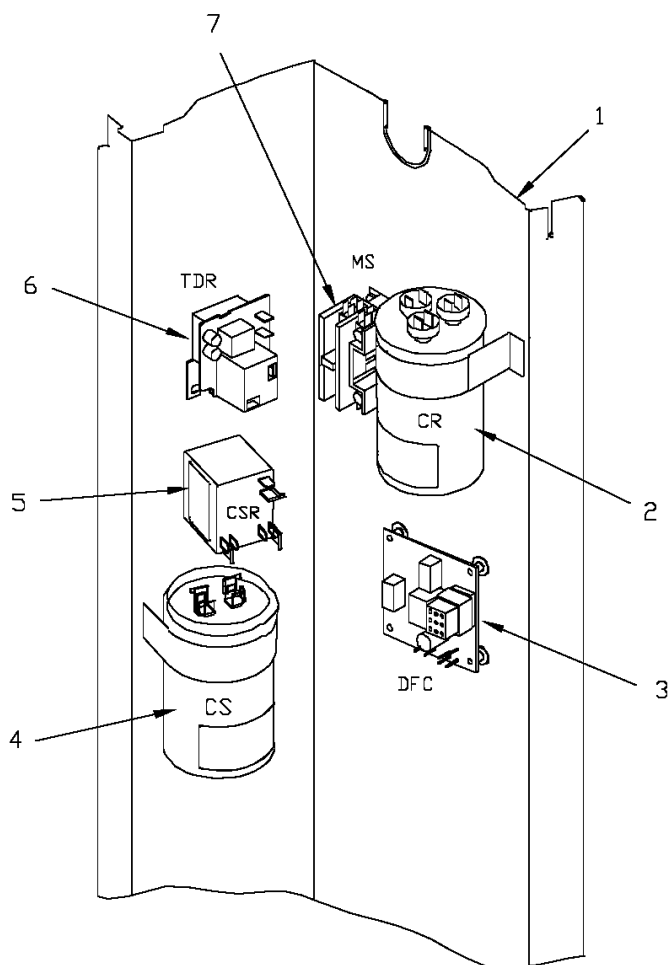
Part No.	Reference No.	Quantity	Description
75008926_4A6H5UP1_354937~P	*		CONTROLS PARTS LIST

CONTROLS

75008926

REV  
A

Typical Illustration. Unit may not appear exactly as shown.



Part No.	Reference No.	Quantity	Description
CLP00185	*	1	CLIP; TDL
CLP01039	*	1	CLIP; STRAIN RELIEF
CON00241	*	4	CONNECTOR; WIRE
SEN00347	*	1	SENSOR; ASSEMBLY, 9.75 K OHMS RESISTANCE AT 75 DEG., F
SEN01510	*	1	SENSOR; ASSEMBLY-AMBIENT, 83/85 IN LENGTH WIRES
SHD00386	*	2	SHIELD; MOISTURE, 12.75 X 5.00
SHD00387	*	2	SHIELD; MOISTURE, 10.25 X 4.00
THT02547	*	1	THERMOSTAT; HIGH TEMPERATURE, 240V, SPST, OPEN AT 234/247 DEG F, CLOSE AT 188/212 DEG F. WITH CLIP.
THT02681	*	1	THERMOSTAT; TERMINATOR, 240V, SPST, OPEN AT 105F, CLOSE AT 73F, PR/WH WIRES, 89 IN LENGTH
WIR04848	*	1	WIRE; HARNESS CONTROL PANEL
PNL25790	1	1	PANEL, CONTROL PANEL BASE, 39.14 HEIGHT
CPT01233	2	1	CAPACITOR; 70 MFD, 440V, ROUND, W/O RESISTOR
CNT05005	3	1	CONTROL; DEFROST
CPT00091	4	1	CAPACITOR; START, 135-155 MFD, 330V, ROUND, W/ RESISTOR
RLY03148	5	1	RELAY, START, 50A COIL, 383 CONTINUOUS COIL RATING, 60 HZ, 160-170V HOT PICKUP, 153-165V PICK UP, 55-115V DROP OUT, 5600 COIL RESISTANCE
RLY03167	6	1	RELAY-TIME DELAY
CTR01028	7	1	CONTACTOR; 2P, 40A 600V CONTACTS, 24 CV, 60HZ



Parts List Number :75005591#4A6H5UP1

Model Number :4A6H5060A1000AA

Part No.	Reference No.	Quantity	Description
75005592_4A6H5UP1_234994~P	*		CABINETY PARTS LIST



Part No.	Reference No.	Quantity	Description
BAS01868	*	1	BASE, 43.80 X 43.81 DIAGONALLY
PAI00207	*	1	PAINT; SPINNAKER GRAY (SHIPPING UOM 12 OZ HAZ) SPRAY CAN
PAI00248	*	1	PAINT; 12 OZ SPRAY, ANTHRACITE GRAY (SHIPPING UOM 12 OZ HAZ)
PLT03590	*	1	NAMEPLATE; AMERICAN STANDARD, RECTANGLE
PLT04389	*	1	NAMEPLATE; HERITAGE 15
SCR02010	*	19	SCREW; 12-18 AB HXW 1/2 SN
GRL01348	1	1	GRILLE; FAN, 29 IN DIA, SPIRAL WIRE, BASALT GREY
COV03335	2	1	COVER; TOP, 37.00 X 34.00
PNL25664	3	1	PANEL; WRAPPER, 41.33 X 22.98
PNL25662	4	1	PANEL; CORNER POST, 5.42 X 41.33
PNL25664	5	1	PANEL; WRAPPER, 41.33 X 22.98
COV03400	6	1	COVER; CONTROLS, 26.11 X 11.36
COV03254	7	1	COVER; CONTROL BOTTOM
COV03256	8	1	COVER; VALVE, 11.36 X 15.42
PNL25665	9	1	PANEL; ACCESS, 40.65 X 19.79
PNL25662	10	1	PANEL; CORNER POST, 5.42 X 41.33
PNL25663	11	1	PANEL; WRAPPER, 41.33 X 27.00
PNL25662	12	1	PANEL; CORNER POST, 5.42 X 41.33

MODEL NUMBER DESCRIPTION

75005587

REL  
C

OUTDOOR UNITS

*Example Model Number:*

**4 A 7 A 0 0 3 6 A 1 0 0 0 A A**  
1 - - - 5 - - - 10 - - - 15

**Digit 1 – Refrigerant Type**

- 2 = R-22
- 4 = R-410A

**Digit 2 – American Standard**

**Digit 3 – Product Type**

- 6,W = Split Heat Pump
- 7,T = Split Cooling

**Digit 4 – Product Family**

- V = Variable Speed
- Z = Leadership - Two Stage
- X = Leadership
- R = Replacement/Retail
- M or B = Basic
- A = Light Commercial
- L = Side Discharge

**Digit 5 – Family SEER**

- 3 = 13      7 = 17
- 4 = 14      8 = 18
- 5 = 15      9 = 19
- 6 = 16      0 = 20

**Digits 6 – Split System Connections 1-6 Tons**

- 0 = Brazed

**Digits 7,8 – Nominal Capacity in 000s BTUs**

**Digit 9 – Major Design Modifications**

**Digit 10 – Power Supply**

- 1 = 200-230/1/60 or 208-230/1/60
- 3 = 200-230/3/60
- 4 = 460/3/60

**Digit 11,12,13 – Secondary Function**

**Digit 14 – Minor Design Modifications**

**Digit 15 – Unit Parts Identifier**

Part No.	Reference No.	Quantity	Description
75005587_4A6H5UP1_207828~P	*		MODEL NOMENCLATURE PARTS LIST

MODEL NUMBER DESCRIPTION

75005587

REL  
C

OUTDOOR UNITS

*Example Model Number:*

**4 A 7 A 0 0 3 6 A 1 0 0 0 A A**  
1 - - - 5 - - - - 10 - - - - 15

**Digit 1 – Refrigerant Type**

2 = R-22  
4 = R-410A

**Digit 2 – American Standard**

**Digit 3 – Product Type**

6,W = Split Heat Pump  
7,T = Split Cooling

**Digit 4 – Product Family**

V = Variable Speed  
Z = Leadership - Two Stage  
X = Leadership  
R = Replacement/Retail  
M or B = Basic  
A = Light Commercial  
L = Side Discharge

**Digit 5 – Family SEER**

3 = 13      7 = 17  
4 = 14      8 = 18  
5 = 15      9 = 19  
6 = 16      0 = 20

**Digits 6 – Split System Connections 1-6 Tons**

0 = Brazed

**Digits 7,8 – Nominal Capacity in 000s BTUs**

**Digit 9 – Major Design Modifications**

**Digit 10 – Power Supply**

1 = 200-230/1/60 or 208-230/1/60  
3 = 200-230/3/60  
4 = 460/3/60

**Digit 11,12,13 – Secondary Function**

**Digit 14 – Minor Design Modifications**

**Digit 15 – Unit Parts Identifier**

