

SPLIT SYSTEM HEAT PUMP

75010795

REV.  
A

TYPICAL ILLUSTRATION



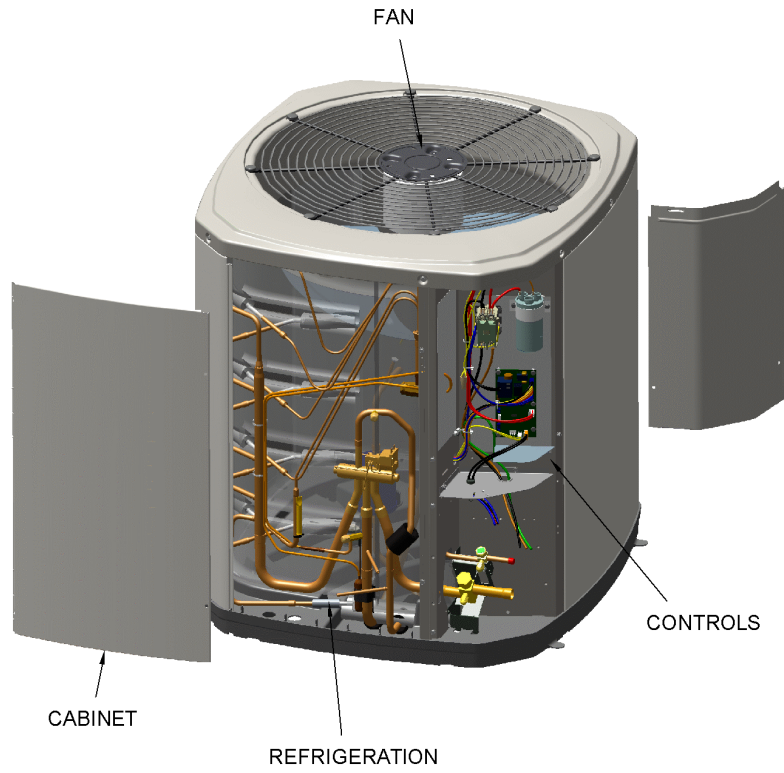
<b>Part No.</b>	<b>Reference No.</b>	<b>Quantity</b>	<b>Description</b>
75005592#4A6H5UP7~S	*		CABINTRY
75010971#4A6H5UP7~S	*		CONTROLS
75005593#4A6H5UP7~S	*		FAN
75010795_4A6H5UP7_142752~P	*		GENERAL ASSEMBLY PARTS LIST
75009046#4A6H5UP7~S	*		MODEL NUMBER DESCRIPTION
OPTIONS#4A6H5UP7~S	*		OPTIONAL ACCESSORIES
75010794#4A6H5UP7~S	*		REFRIGERATION

SPLIT SYSTEM HEAT PUMP

75010795

REV.  
A

TYPICAL ILLUSTRATION





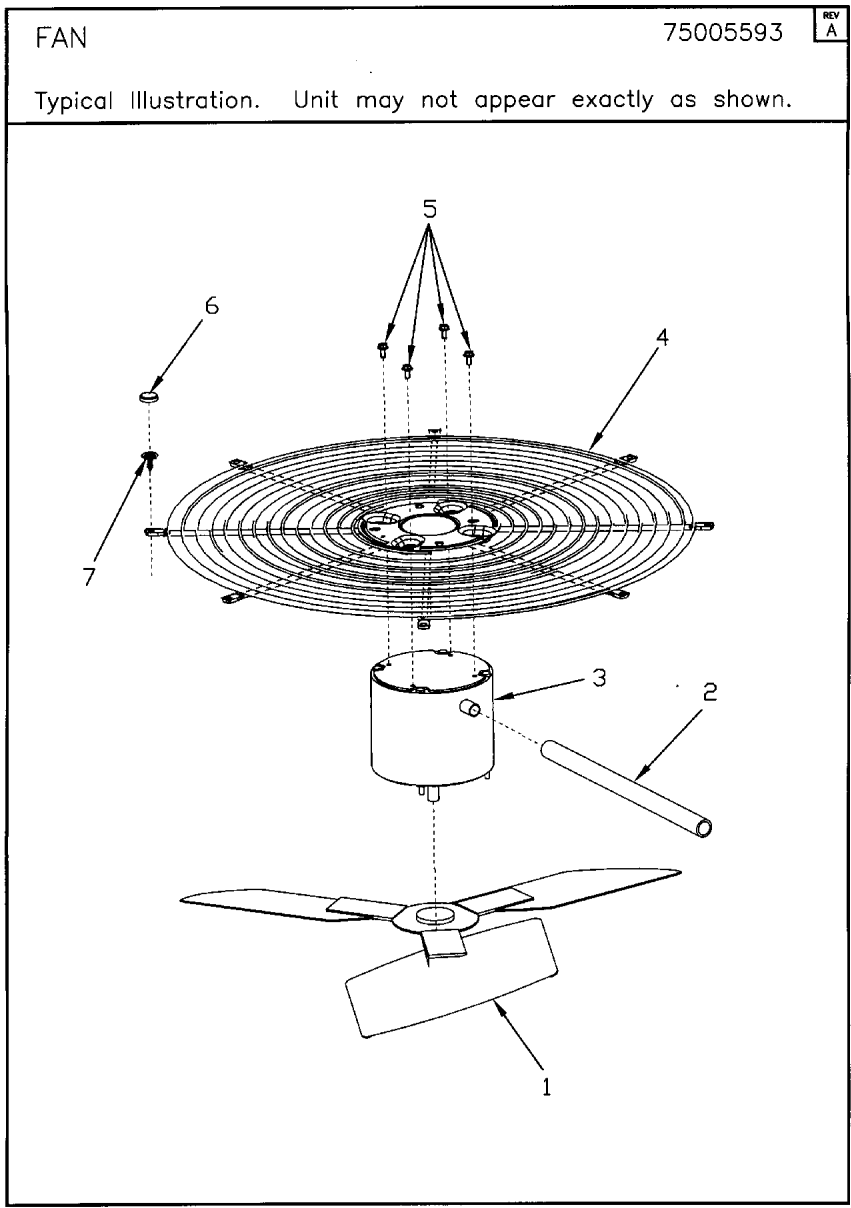
Parts List Number :75010795#4A6H5UP7

Model Number :4A6H5049E1000BB

Part No.	Reference No.	Quantity	Description
75010794_4A6H5UP7_184065~P	*		REFRIGERATION PARTS LIST



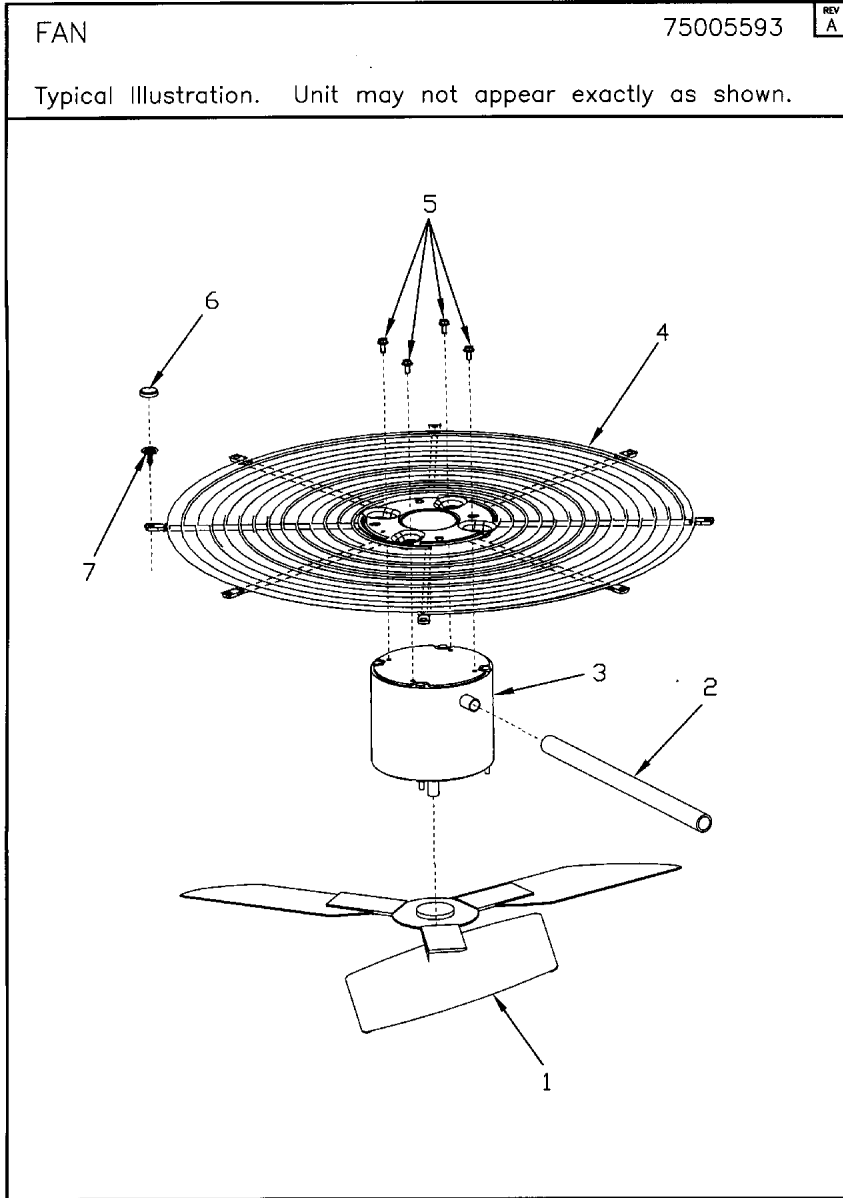
Part No.	Reference No.	Quantity	Description
ACC00168	*	1	ACCUMULATOR; .877 INLET, 13.13 L
BOD00114	*	2	BODY; VALVE, BRASS, 7/16 HEX, 7/16 -20 UNF-2A
CLP01073	*	1	CLIP; BULB (RED)
CLP01101	*	1	CLIP; TUBE, BLACK PLASTIC
HTR12895	*	1	HEATER; CRANKCASE, 40 WATT, 230V, 6.5 DIA
SHD00423	*	1	SHIELD; SALT, 47.75 X 8.00
SPC00386	*	1	SPACER; BASE, 5.50 X 1.00 X 0.50
WIR04816	*	1	WIRE; PLUG-SCROLL COMPRESSOR
COM09756	1	1	COMPRESSOR; SCROLL, SXA042B1BPZ, 3.5 TON, 208-230/60/1, R410A
SWT03277	2	1	SWITCH, HIGH PRESSURE, SPST, OPEN AT 650 PSIG, CLOSE AT 500 PSIG, 91 IN. YELLOW AND RED LEAD
VAL08800	3	1	VALVE; EXPANSION, 0.38 ODS X 0.50 ODS, 5.0 TON-R410A AND POE
SWT03375	4	1	SWITCH; LOW PRESSURE, OPEN @ 35 PSIG CLOSE @ 55 PSIG
VAL08884	6	1	VALVE; SWITCHOVER, 6 TON, 5/8 IN ODF X 7/8 IDF CONNECTION (INCLUDES SOLENOID COIL)
MFL00806	7	1	MUFFLER; 1/2 ODF CONNECTION (DRIER COULD BE PAINTED EITHER SMOKE GRAY OR NAVY BLUE)
DHY01452	8	1	DRIER; BI-FLOW; SERVICE FIRST; 16 CU. IN; DCB163S, 3/8 ODF CONNECTIONS; 5.7 TON CAPACITY; APPROVED FOR MINERAL OIL AND POE OIL REFRIGERANTS; MANUFACTU
VAL09302	9	1	VALVE, SERVICE LIQUID, .31 ODF X .38 ODF
VAL07328	10	1	VALVE, SERVICE GAS, .88 OD X .88 OD, BALL VALVE ASSY, BRASS, FEMALE BRAZE TO FEMALE BRAZE, LEFT HAND SERVICE PORT
BRK03020	11	1	BRACKET; VALVE
SPC00512	12	1	SPACER; TUBING
SPC00382	13	1	SPACER; ORIFICE
SPC00513	14	12	SPACER; COIL
COR00103	16	2	CORE; VALVE, .79 LENGTH, .206-36 UNS-1 MOD. THD
ISR00007	17	4	ISOLATOR; VIBRATION
SCR01914	17	4	SCREW, ASSEMBLY COMPRESSOR, 5/16-12 TYPE B, W/WASHER & SLEEVE
SPC00512	18	1	SPACER; TUBING
SPC00512	19	1	SPACER; TUBING
COL16487	20	1	COIL; SPINE FIN-5 SIDED



Parts List Number :75010795#4A6H5UP7

Model Number :4A6H5049E1000BB

Part No.	Reference No.	Quantity	Description
75005593_4A6H5UP7_184062~P	*		FAN PARTS LIST

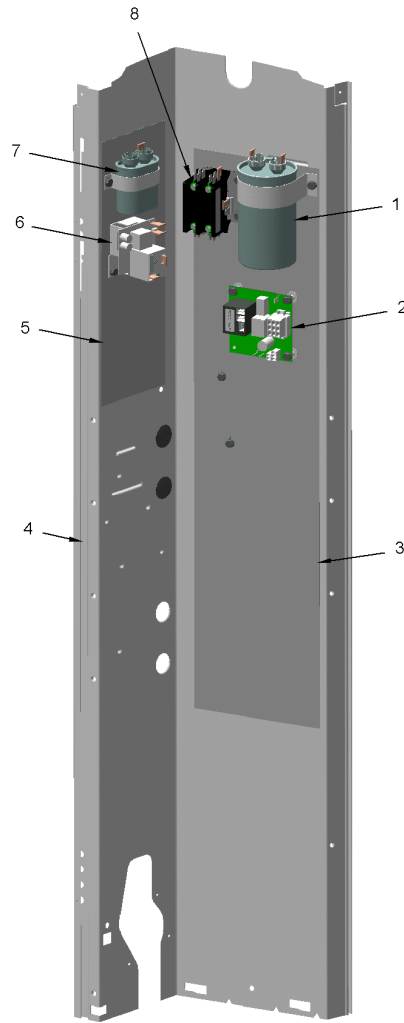


Part No.	Reference No.	Quantity	Description
COV03250	*	1	COVER; MOTOR, 6.86 DIA
FAN04460	1	1	FAN; 2 SWEEP BLADES, 27.5" DIA, 25.2 DEG PITCH, 0.50" BORE, CCW, ALUMINUM, 1 SET SCREW-STEEL, SPIDER 0.075 THK
GRD01416	2	1	GUARD, TROUGH-LEAD
MOT13693	3	1	MOTOR; 1/5 HP, 200/230/60/1, 825 RPM, 48 FRAME, PSC, BALL BEARING, CCW, 7.5 MFD CPT AT 370V
GRL01348	4	1	GRILLE; FAN, 29 IN DIA, SPIRAL WIRE, BASALT GREY
NUT00845	5	4	NUT; FLANGE NIBBED
CAP00913	6	8	CAP; RETAINER
SCR01976	7	8	SCREW; NUMBER 10 X 3/4 NO SLOT HWH T/S STEEL ZY .0002 THK BAKE TY AB GROUNDING EYELET

CONTROLS

75010971

REV.  
A



This is a typical illustration. The unit in the field may not appear exactly as shown.

Parts List Number :75010795#4A6H5UP7

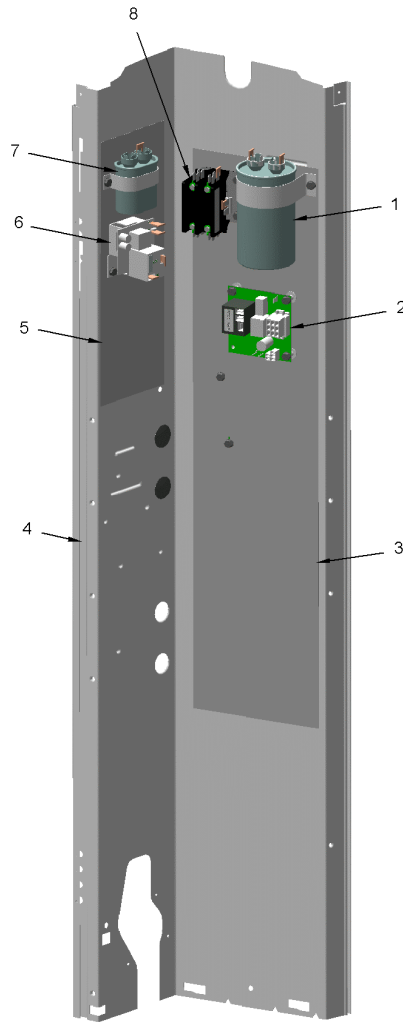
Model Number :4A6H5049E1000BB

Part No.	Reference No.	Quantity	Description
75010971_4A6H5UP7_184070~P	*		CONTROLS PARTS LIST

CONTROLS

75010971

REV.  
A



This is a typical illustration. The unit in the field may not appear exactly as shown.

Part No.	Reference No.	Quantity	Description
CLP00185	*	1	CLIP; TDL
CLP01039	*	1	CLIP; STRAIN RELIEF
CON00241	*	3	CONNECTOR; WIRE
RES00118	*	2	RESISTOR; THERMISTOR , 260 OHMS AT 75 DEGREE F
SEN01541	*	1	SENSOR; ASSEMBLY, 9.75K OHMS AT 75F, YELLOW LEADS (CBS-COIL SENSOR)
SEN01637	*	1	SENSOR; ASSEMBLY, (CBS), 19-BK AND 21-BK IN LEAD LENGTH
THT02681	*	1	THERMOSTAT; TERMINATOR, 240V, SPST, OPEN AT 105F, CLOSE AT 73F, PR/WH WIRES, 89 IN LENGTH
WIR04848	*	1	WIRE; HARNESS CONTROL PANEL
CPT01233	1	1	CAPACITOR; 70 MFD, 440V, ROUND, W/O RESISTOR
SRP00093	1	1	STRAP;CAPACITOR
CNT05482	2	1	CONTROL; DEFROST
SHD00386	3	2	SHIELD; MOISTURE, 12.75 X 5.00
PNL25790	4	1	PANEL, CONTROL PANEL BASE, 39.14 HEIGHT
SHD00387	5	2	SHIELD; MOISTURE, 10.25 X 4.00
RLY03167	6	1	RELAY-TIME DELAY
CPT00477	7	1	CAPACITOR; RUN, 7.5 MFD, 370VAC, OVAL, W/O RESISTOR
SRP00091	7	1	STRAP, CAPACITOR
CTR01038	8	1	CONTACTOR, 30 AMP, 240/277/480/600V, 24V COIL, 2 POLE



Parts List Number :75010795#4A6H5UP7

Model Number :4A6H5049E1000BB

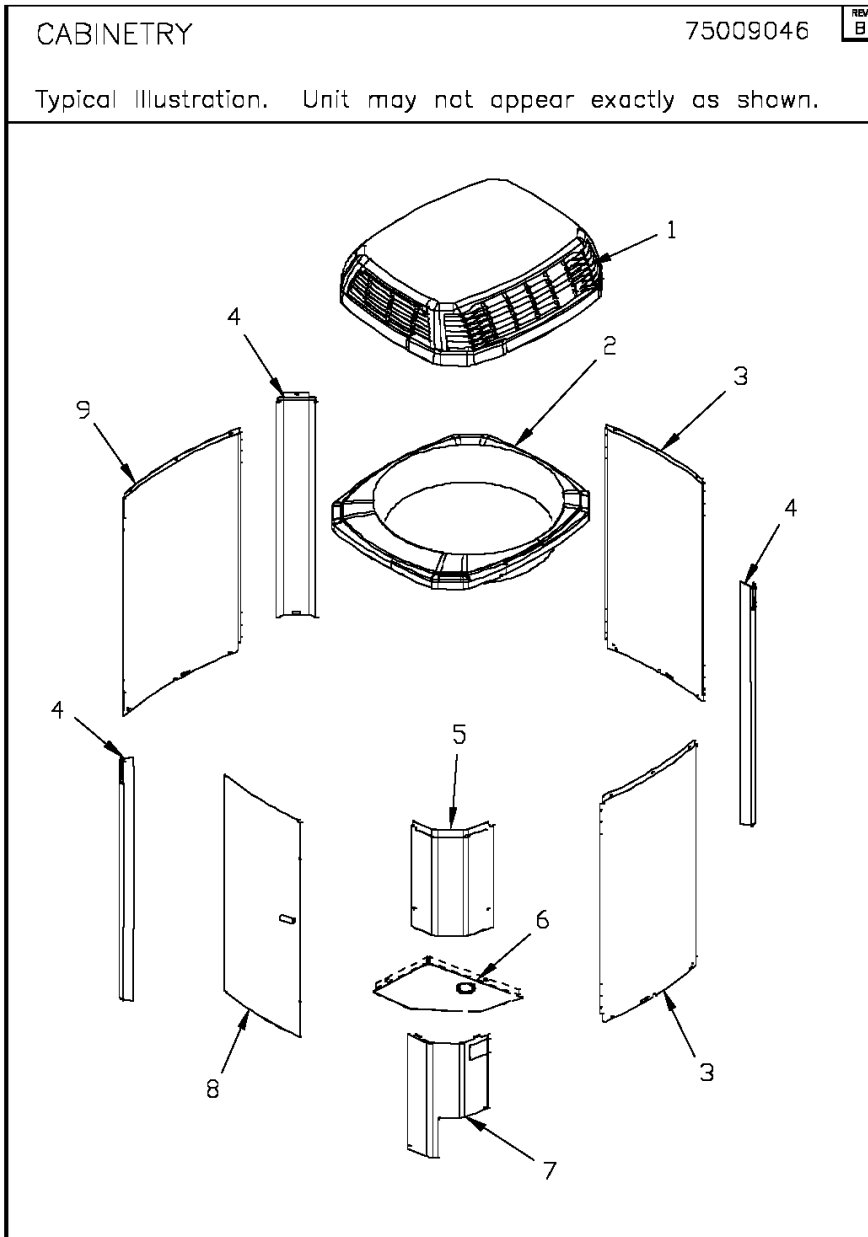
Part No.	Reference No.	Quantity	Description
75005592_4A6H5UP7_184059~P	*		CABINETY PARTS LIST



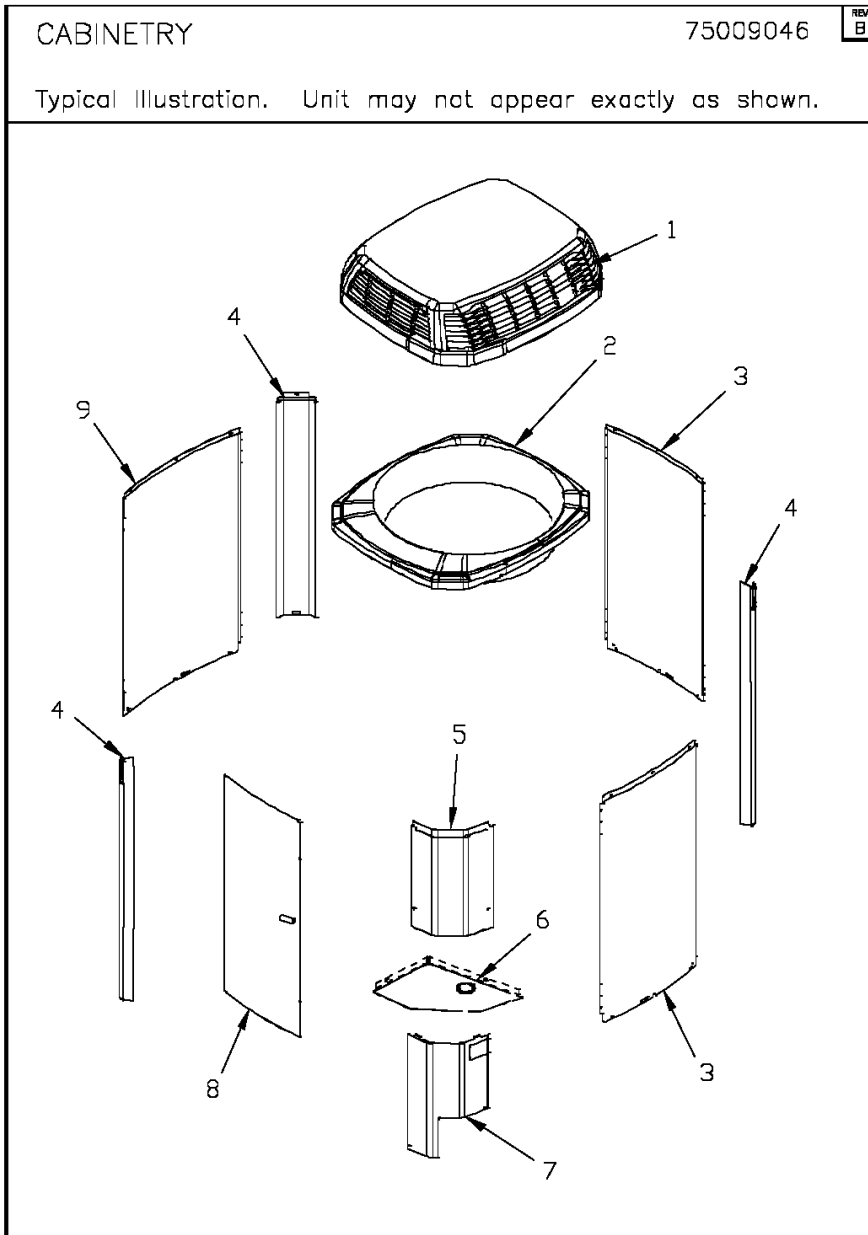
Parts List Number :75010795#4A6H5UP7

Model Number :4A6H5049E1000BB

Part No.	Reference No.	Quantity	Description
BAS01834	*	1	BASE; 41.78 X 41.81 DIAGONALLY
PAI00246	*	1	PAINT; SPRAY, TARPAULIN GRAY (SHIPPING UOM 12 OZ HAZ)
PAI00248	*	1	PAINT; 12 OZ SPRAY, ANTHRACITE GRAY (SHIPPING UOM 12 OZ HAZ)
GRL01348	1	1	GRILLE; FAN, 29 IN DIA, SPIRAL WIRE, BASALT GREY
COV04462	2	1	COVER; TOP
PNL25664	3	1	PANEL; WRAPPER, 41.33 X 22.98
PNL26270	4	1	PANEL; CORNER POST, 3.5 x 41.3 INCHES
PNL25664	5	1	PANEL; WRAPPER, 41.33 X 22.98
COV04038	6	1	COVER; CONTROLS, 11 x 26 INCHES
COV03228	7	1	COVER, CONTROL BOTTOM
COV04041	8	1	COVER; VALVE, 11.32 x15.4 INCHES
PNL25665	9	1	PANEL; ACCESS, 40.65 X 19.79
PNL26270	10	1	PANEL; CORNER POST, 3.5 x 41.3 INCHES
PNL25663	11	1	PANEL; WRAPPER, 41.33 X 27.00
PNL26270	12	1	PANEL; CORNER POST, 3.5 x 41.3 INCHES



Part No.	Reference No.	Quantity	Description
75009046_4A6H5UP7_142753~P	*		MODEL NUMBER DESCRIPTION PARTS LIST



OPTIONAL ACCESSORIES

Parts List Number :75010795#4A6H5UP7

Model Number :4A6H5049E1000BB

Part No.	Reference No.	Quantity	Description
OPTIONS_4A6H5UP7_184074~P	*		OPTIONAL ACCESSORIES PARTS LIST

NO GRAPHIC AVAILABLE

75013702

REV  
A

**NO  
GRAPHIC  
AVAILABLE**

Part No.	Reference No.	Quantity	Description
KIT02134	*	1	KIT-LOW TEMPERATURE COOLING (AY28X084)
KIT05354	*	1	KIT; TIME DELAY (TAYASCT501A) - 5 MINUTE RELAY ONLY IS RLY01343
KIT07731	*	1	KIT; SNOW LEGS, CONTAINS (4) 6" MOUNTING LEGS (BAYLEGS002)
KIT07732	*	1	KIT; SNOW LEGS, (4" EXTENSION KIT) (BAYLEGS003)
KIT07908	*	1	KIT; START ASSEMBLY (BAYKSKT260)
KIT08036	*	1	KIT; SEA COAST (BAYSEAC001)
KIT08087	*	1	KIT; HEAD PRESSURE (BAYLOAM103)
KIT08413	*	1	KIT; SOUND ENCLOSURE, (BAYSDEN004), (MODELS WITH LARGE FRAME (QUEST) SCROLL COMPRESSORS NO LARGER THAN 17.3" TALL OR 7.3" IN DIAMETER EXCEPT IN CABINET HEIGHTS 32.7" OR SHORTER)
KIT09425	*	1	KIT; ISOLATOR (BAYISLT101) (CONTAINS A QTY OF 5 ISOLATORS)
KIT15190	*	1	KIT; EXTREME MOUNTING CONDITION (BAYECMT004).
PAI00309	*	1	PAINT; DARK BROWN, 12 OZ SPRAY CAN, HERESITE AIR DRY PHENOLIC COATING, VR-554T