

GENERAL ASSEMBLY

75005591

REV  
A

Typical Illustration. Unit may not appear exactly as shown.



<b>Part No.</b>	<b>Reference No.</b>	<b>Quantity</b>	<b>Description</b>
75009040#4A6H5UP4~S	*		CABINTRY
75008927#4A6H5UP4~S	*		CONTROLS
75005593#4A6H5UP4~S	*		FAN
75005591_4A6H5UP4_299345~P	*		GENERAL ASSEMBLY PARTS LIST
75005587#4A6H5UP4~S	*		MODEL NOMENCLATURE
75005589#4A6H5UP4~S	*		REFRIGERATION

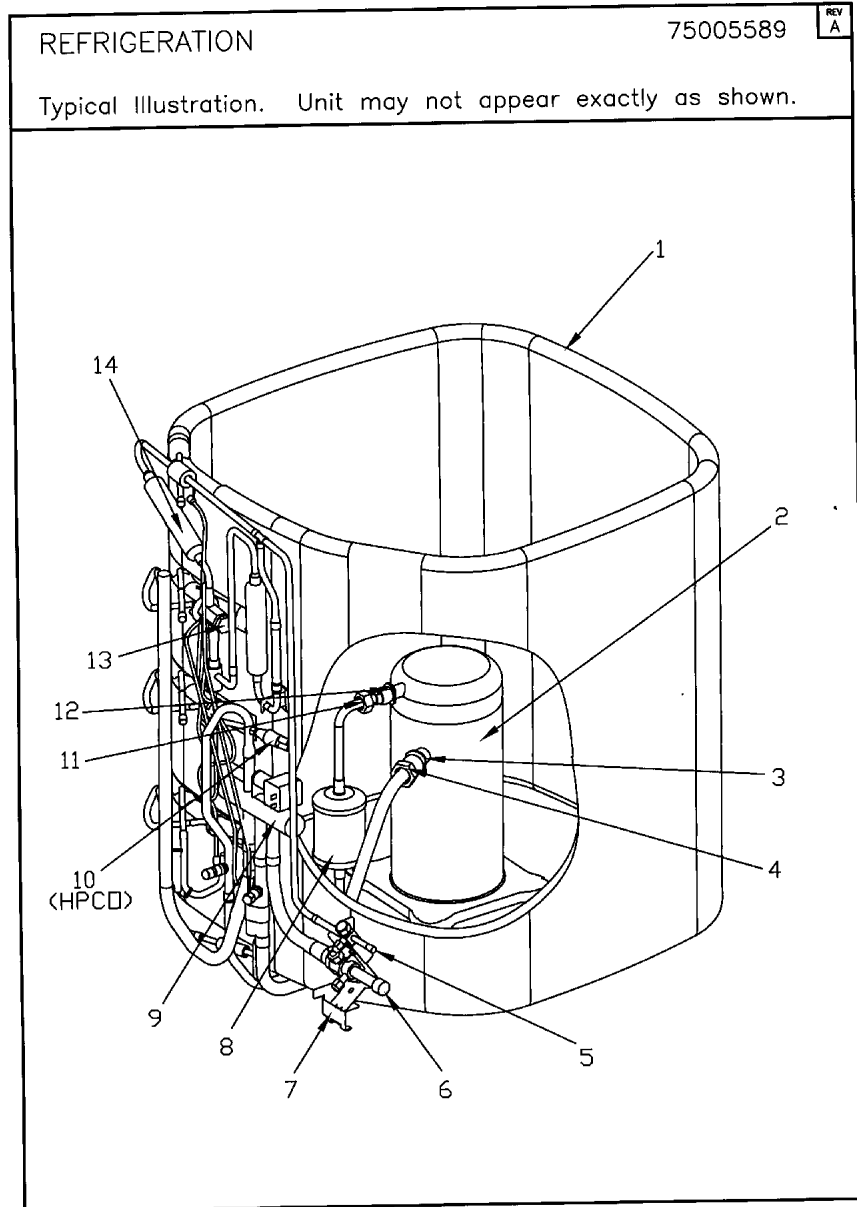
GENERAL ASSEMBLY

75005591

REV  
A

Typical Illustration. Unit may not appear exactly as shown.

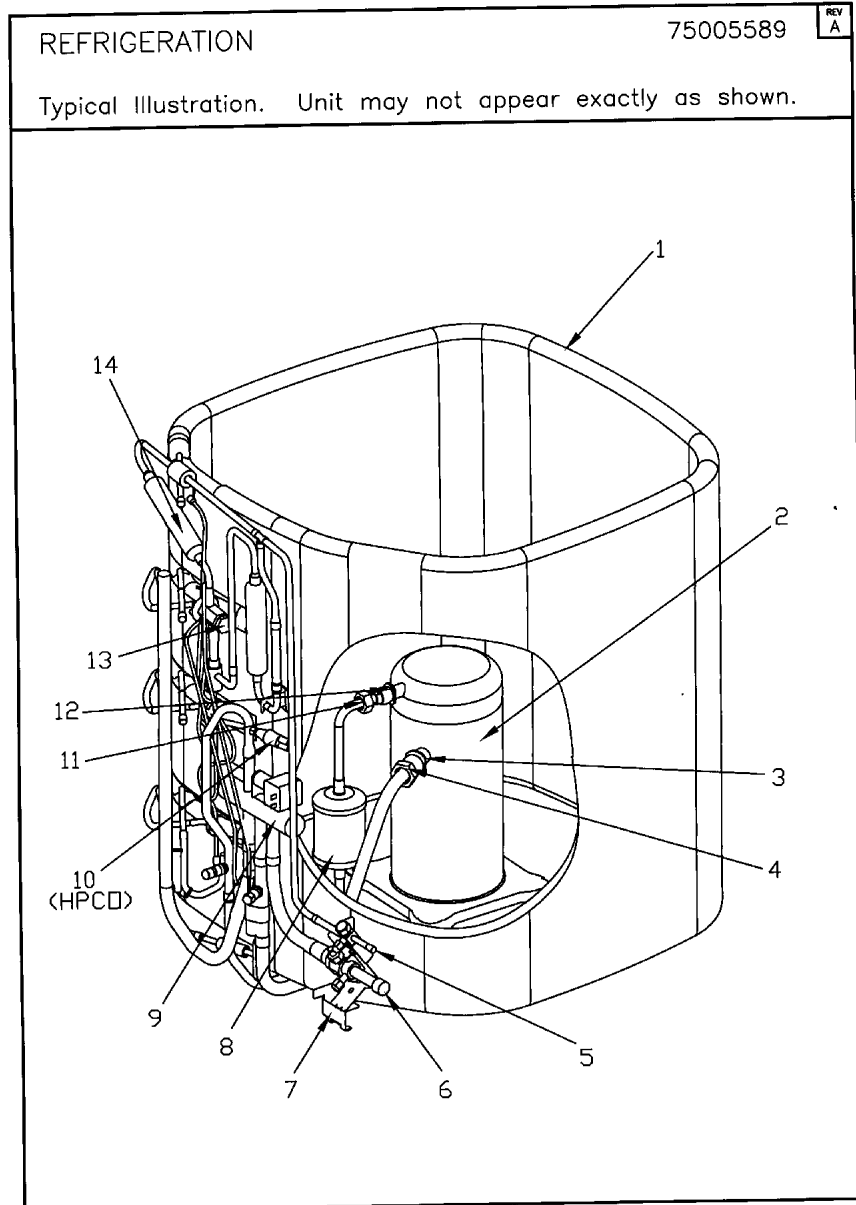




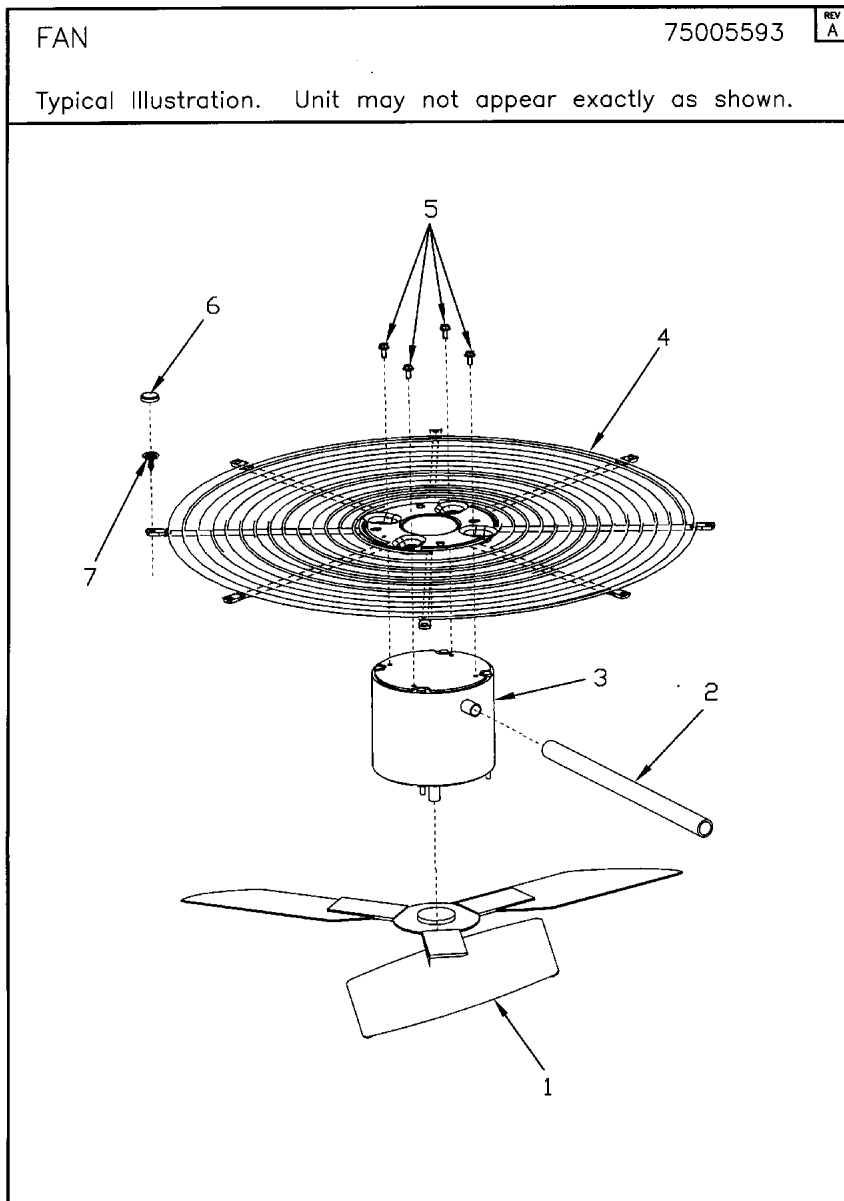
Parts List Number :75005591#4A6H5UP4

Model Number :4A6H5049E1000BA

Part No.	Reference No.	Quantity	Description
75005589_4A6H5UP4_335999~P	*		REFRIGERATION PARTS LIST



Part No.	Reference No.	Quantity	Description
ACC00168	*	1	ACCUMULATOR; .877 INLET, 13.13 L
CLP01101	*	1	CLIP; TUBE, BLACK PLASTIC
COL14716	*	1	COIL; 24V, 50/60, FOR SANHUA REVERSING VALVE
COR00103	*	2	CORE; VALVE, .79 LENGTH, .206-36 UNS-1 MOD. THD
DHY00179	*	1	DRIER; FILTER/SUCTION LINE, TYPE 45S7, 7/8 IN. ODF CONN (ASD45S7VV)
GKT01532	*	1	GASKET; TEFLON, SIZE 3/4", (FITTING SIZE 1.00-14)
GKT01533	*	1	GASKET; TEFLON, SIZE 1", (FITTING SIZE 1.25-12)
HTR07611	*	1	HEATER; SUMP, 40 WATT, 230 VOLT, 6.5 DIA
ISR00007	*	4	ISOLATOR; VIBRATION
KIT01159	*	1	KIT; ROTOLOCK COMPRESSOR TO BRAZED; 1.00-14 THREAD SIZE ; 1/2 IN TUBE SIZE
KIT01165	*	1	KIT; ROTOLOCK COMPRESSOR TO BRAZED; 1.25-12 THREAD SIZE ; 7/8 IN TUBE SIZE
SCR01914	*	4	SCREW, ASSEMBLY COMPRESSOR, 5/16-12 TYPE B, W/WASHER & SLEEVE
SHD00423	*	1	SHIELD; SALT, 47.75 X 8.00
SWT03375	*	1	SWITCH; LOW PRESSURE, OPEN @ 35 PSIG CLOSE @ 55 PSIG
WIR04816	*	1	WIRE; PLUG-SCROLL COMPRESSOR
COL16487	1	1	COIL; SPINE FIN-5 SIDED
COM08970	2	1	COMPRESSOR; SCROLL, SXA042B1RPZ, 3.5 TON, 208-230/60/1, R410A, (1.25-12 SUCTION, 1.00-14 DISCHARGE). GOOD REFRIGERANT PRACTICES REQUIRE THAT OPEN SYSTEM REPAIRS INCLUDE A DRIER CHANGE.
SLV00185	3	1	SLEEVE; 3/4" TUBE SIZE
NUT00999	4	1	NUT; 1.25-12 UNF-2B THREAD SIZE (FOR 3/4" OR 5/8" TUBE SIZE)
VAL09293	5	1	VALVE, SERVICE LIQUID, .38 OD X .38 OD, VALVE ASSY
VAL07328	6	1	VALVE, SERVICE GAS, .88 OD X .88 OD, BALL VALVE ASSY, BRASS, FEMALE BRAZE TO FEMALE BRAZE, LEFT HAND SERVICE PORT
BRK03020	7	1	BRACKET; VALVE
MFL00806	8	1	MUFFLER; 1/2 ODF CONNECTION (DRIER COULD BE PAINTED EITHER SMOKE GRAY OR NAVY BLUE)
VAL08884	9	1	VALVE; SWITCHOVER, 6 TON, 5/8 IN ODF X 7/8 IDF CONNECTION (INCLUDES SOLENOID COIL)
SWT03277	10	1	SWITCH, HIGH PRESSURE, SPST, OPEN AT 650 PSIG, CLOSE AT 500 PSIG, 91 IN. YELLOW AND RED LEAD
NUT01000	11	1	NUT; 1.00-14 UNS-2B THREAD SIZE (FOR 1/2" TUBE SIZE)
SLV00206	12	1	SLEEVE; 1/2" TUBE SIZE
VAL08800	13	1	VALVE; EXPANSION, 0.38 ODS X 0.50 ODS, 5.0 TON-R410A AND POE
DHY01273	14	1	DRIER, BI FLOW, 3/8 ODF, 3+ TON



Parts List Number :75005591#4A6H5UP4

Model Number :4A6H5049E1000BA

Part No.	Reference No.	Quantity	Description
75005593_4A6H5UP4_336000~P	*		FAN PARTS LIST



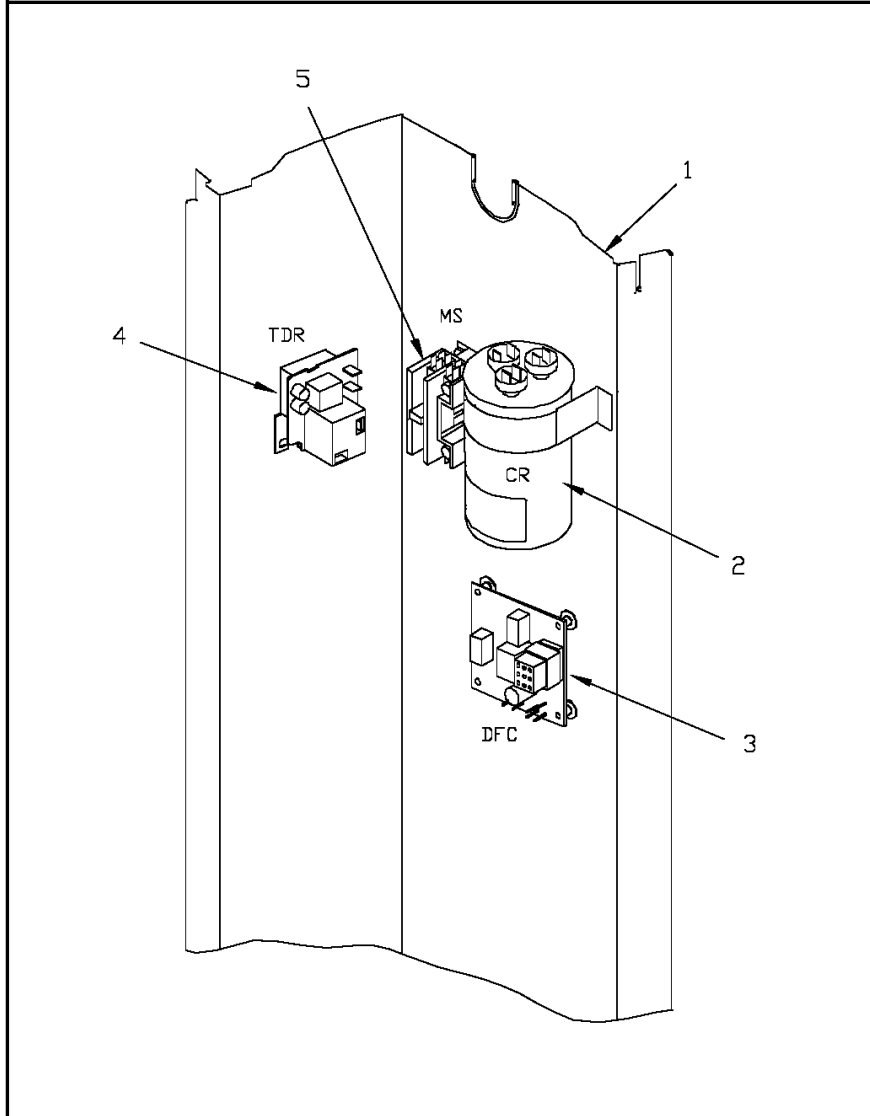
Part No.	Reference No.	Quantity	Description
COV03250	*	1	COVER; MOTOR, 6.86 DIA
FAN04460	1	1	FAN; 2 SWEEP BLADES, 27.5" DIA, 25.2 DEG PITCH, 0.50" BORE, CCW, ALUMINUM, 1 SET SCREW-STEEL, SPIDER 0.075 THK
GRD01416	2	1	GUARD, TROUGH-LEAD
MOT13693	3	1	MOTOR; 1/5 HP, 200/230/60/1, 825 RPM, 48 FRAME, PSC, BALL BEARING, CCW, 7.5 MFD CPT AT 370V
GRL01348	4	1	GRILLE; FAN, 29 IN DIA, SPIRAL WIRE, BASALT GREY
NUT00845	5	4	NUT; FLANGE NIBBED
CAP00913	6	8	CAP; RETAINER
SCR01976	7	8	SCREW; NUMBER 10 X 3/4 NO SLOT HWH T/S STEEL ZY .0002 THK BAKE TY AB GROUNDING EYELET

CONTROLS

75008927

REV  
A

Typical Illustration. Unit may not appear exactly as shown.



Parts List Number :75005591#4A6H5UP4

Model Number :4A6H5049E1000BA

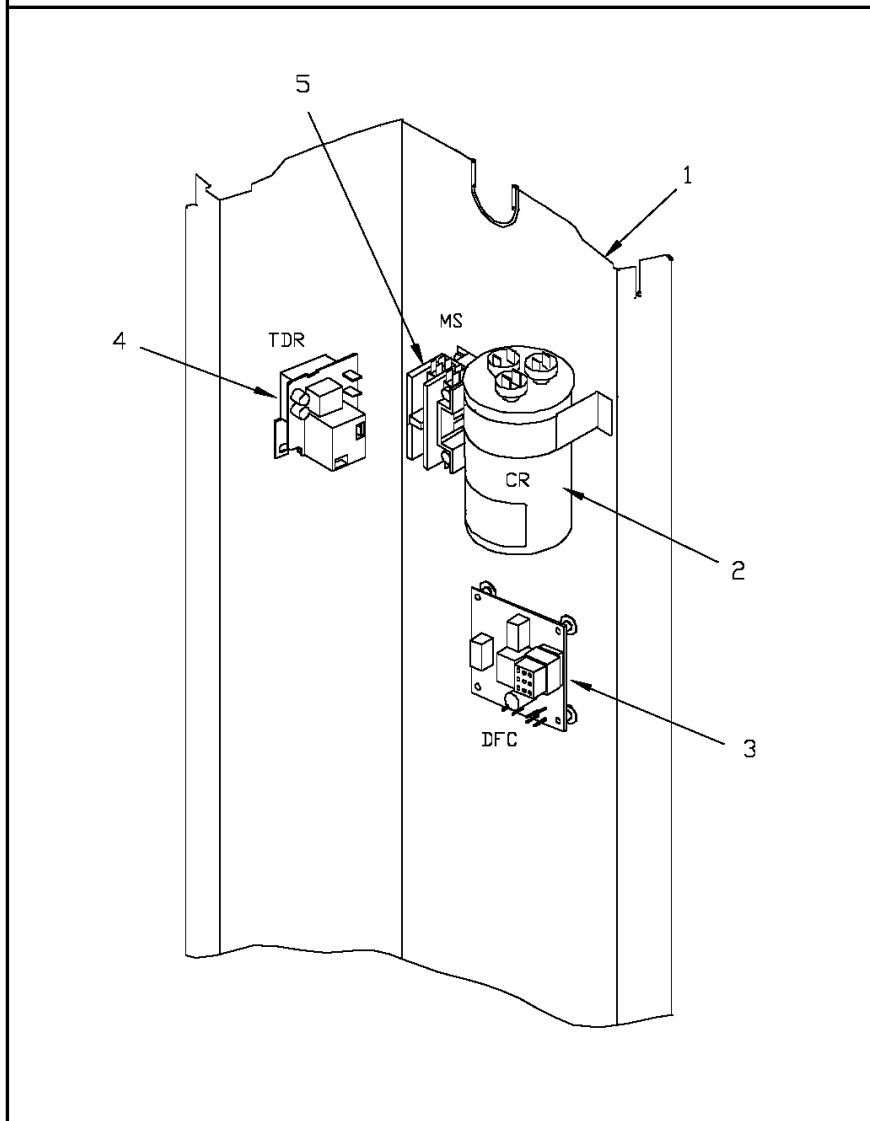
Part No.	Reference No.	Quantity	Description
75008927_4A6H5UP4_336001~P	*		CONTROLS PARTS LIST

CONTROLS

75008927

REV  
A

Typical Illustration. Unit may not appear exactly as shown.



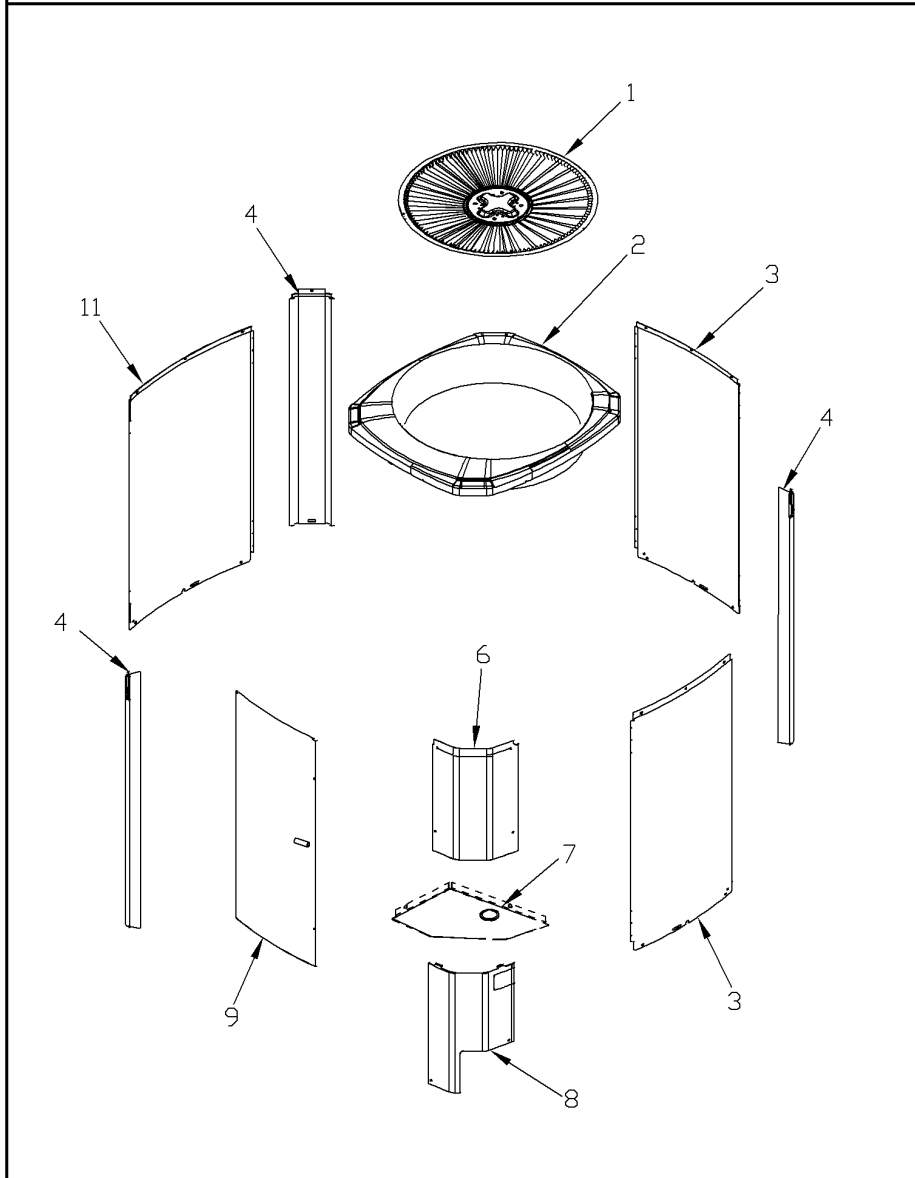
Part No.	Reference No.	Quantity	Description
CLP00185	*	1	CLIP; TDL
CLP01039	*	1	CLIP; STRAIN RELIEF
CON00241	*	3	CONNECTOR; WIRE
CPT00477	*	1	CAPACITOR; RUN, 7.5 MFD, 370VAC, OVAL, W/O RESISTOR
SEN01541	*	1	SENSOR; ASSEMBLY, 9.75K OHMS AT 75F, YELLOW LEADS (CBS-COIL SENSOR)
SEN01637	*	1	SENSOR; ASSEMBLY, (CBS), 19-BK AND 21-BK IN LEAD LENGTH
SHD00386	*	2	SHIELD; MOISTURE, 12.75 X 5.00
SHD00387	*	2	SHIELD; MOISTURE, 10.25 X 4.00
THT02681	*	1	THERMOSTAT; TERMINATOR, 240V, SPST, OPEN AT 105F, CLOSE AT 73F, PR/WH WIRES, 89 IN LENGTH
WIR04848	*	1	WIRE; HARNESS CONTROL PANEL
PNL25790	1	1	PANEL, CONTROL PANEL BASE, 39.14 HEIGHT
CPT01846	2	1	CAPACITOR, RUN, 70 MFD, 440V, ROUND, W/O RESISTOR
CNT05482	3	1	CONTROL; DEFROST
RLY03167	4	1	RELAY-TIME DELAY
CTR01038	5	1	CONTACTOR, 30 AMP, 240/277/480/600V, 24V COIL, 2 POLE

CABINETY

75009040

REV  
A

Typical Illustration. Unit may not appear exactly as shown.



Parts List Number :75005591#4A6H5UP4

Model Number :4A6H5049E1000BA

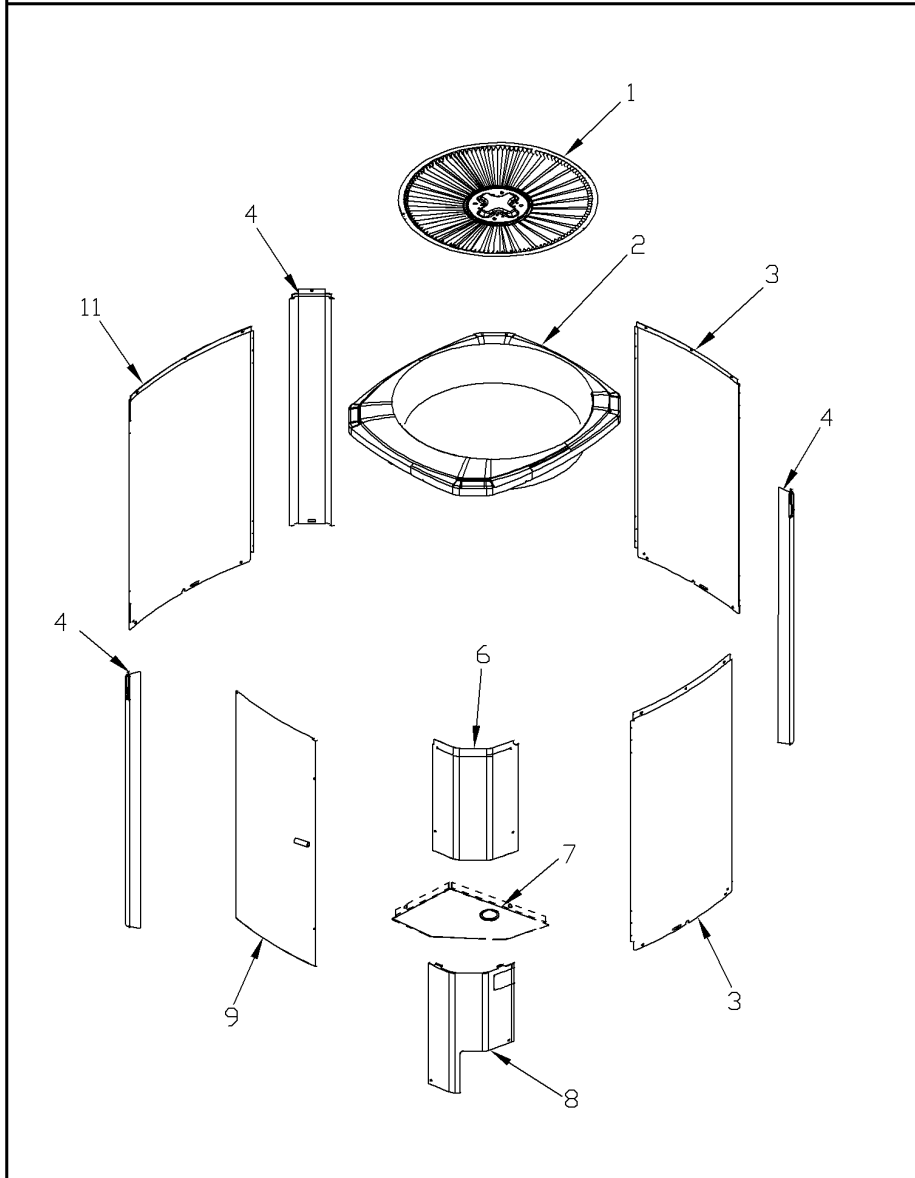
Part No.	Reference No.	Quantity	Description
75009040_4A6H5UP4_299350~P	*		CABINETY PARTS LIST

CABINETY

75009040

REV  
A

Typical Illustration. Unit may not appear exactly as shown.



Part No.	Reference No.	Quantity	Description
PAI00207	*	1	PAINT; SPINNAKER GRAY (SHIPPING UOM 12 OZ HAZ) SPRAY CAN
PAI00248	*	1	PAINT; 12 OZ SPRAY, ANTHRACITE GRAY (SHIPPING UOM 12 OZ HAZ)
PLT03590	*	1	NAMEPLATE; AMERICAN STANDARD, RECTANGLE
PLT04389	*	1	NAMEPLATE; HERITAGE 15
SCR02010	*	19	SCREW; 12-18 AB HXW 1/2 SN
GRL01348	1	1	GRILLE; FAN, 29 IN DIA, SPIRAL WIRE, BASALT GREY
COV04035	2	1	COVER; TOP, 37.00 X 34.00
PNL25664	3	2	PANEL; WRAPPER, 41.33 X 22.98
PNL26270	4	3	PANEL; CORNER POST, 3.5 x 41.3 INCHES
COV04038	6	1	COVER; CONTROLS, 11 x 26 INCHES
COV03228	7	1	COVER, CONTROL BOTTOM
PNL25665	9	1	PANEL; ACCESS, 40.65 X 19.79
PNL25663	11	1	PANEL; WRAPPER, 41.33 X 27.00

MODEL NUMBER DESCRIPTION

75005587

REL  
C

OUTDOOR UNITS

*Example Model Number:*

**4 A 7 A 0 0 3 6 A 1 0 0 0 A A**  
1 - - - 5 - - - 10 - - - 15

**Digit 1 – Refrigerant Type**

2 = R-22  
4 = R-410A

**Digit 2 – American Standard**

**Digit 3 – Product Type**

6,W = Split Heat Pump  
7,T = Split Cooling

**Digit 4 – Product Family**

V = Variable Speed  
Z = Leadership - Two Stage  
X = Leadership  
R = Replacement/Retail  
M or B = Basic  
A = Light Commercial  
L = Side Discharge

**Digit 5 – Family SEER**

3 = 13      7 = 17  
4 = 14      8 = 18  
5 = 15      9 = 19  
6 = 16      0 = 20

**Digits 6 – Split System Connections 1-6 Tons**

0 = Brazed

**Digits 7,8 – Nominal Capacity in 000s BTUs**

**Digit 9 – Major Design Modifications**

**Digit 10 – Power Supply**

1 = 200-230/1/60 or 208-230/1/60  
3 = 200-230/3/60  
4 = 460/3/60

**Digit 11,12,13 – Secondary Function**

**Digit 14 – Minor Design Modifications**

**Digit 15 – Unit Parts Identifier**

Part No.	Reference No.	Quantity	Description
75005587_4A6H5UP4_299346~P	*		MODEL NOMENCLATURE PARTS LIST

MODEL NUMBER DESCRIPTION

75005587

REL  
C

OUTDOOR UNITS

*Example Model Number:*

**4 A 7 A 0 0 3 6 A 1 0 0 0 A A**  
1 - - - 5 - - - - 10 - - - - 15

**Digit 1 – Refrigerant Type**

2 = R-22  
4 = R-410A

**Digit 2 – American Standard**

**Digit 3 – Product Type**

6,W = Split Heat Pump  
7,T = Split Cooling

**Digit 4 – Product Family**

V = Variable Speed  
Z = Leadership - Two Stage  
X = Leadership  
R = Replacement/Retail  
M or B = Basic  
A = Light Commercial  
L = Side Discharge

**Digit 5 – Family SEER**

3 = 13      7 = 17  
4 = 14      8 = 18  
5 = 15      9 = 19  
6 = 16      0 = 20

**Digits 6 – Split System Connections 1-6 Tons**

0 = Brazed

**Digits 7,8 – Nominal Capacity in 000s BTUs**

**Digit 9 – Major Design Modifications**

**Digit 10 – Power Supply**

1 = 200-230/1/60 or 208-230/1/60  
3 = 200-230/3/60  
4 = 460/3/60

**Digit 11,12,13 – Secondary Function**

**Digit 14 – Minor Design Modifications**

**Digit 15 – Unit Parts Identifier**

