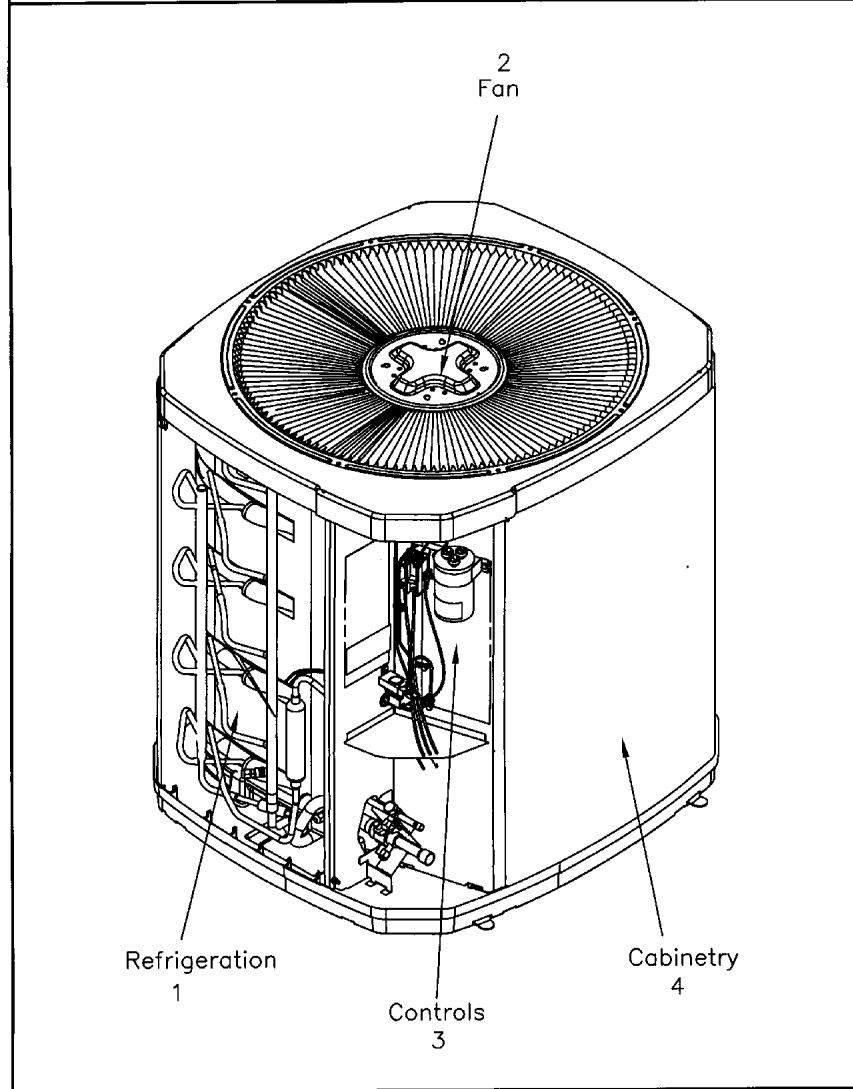


GENERAL ASSEMBLY

75005591

REV  
A

Typical Illustration. Unit may not appear exactly as shown.



<b>Part No.</b>	<b>Reference No.</b>	<b>Quantity</b>	<b>Description</b>
75005592#4A6H5UP5~S	*		CABINTRY
75008927#4A6H5UP5~S	*		CONTROLS
75005599#4A6H5UP5~S	*		FAN
75005591_4A6H5UP5_277789~P	*		GENERAL ASSEMBLY PARTS LIST
75005587#4A6H5UP5~S	*		MODEL NOMENCLATURE
OPTIONS#4A6H5UP5~S	*		OPTIONAL FIELD INSTALLED ACCESSORIES
75009223#4A6H5UP5~S	*		REFRIGERATION

GENERAL ASSEMBLY

75005591

REV  
A

Typical Illustration. Unit may not appear exactly as shown.

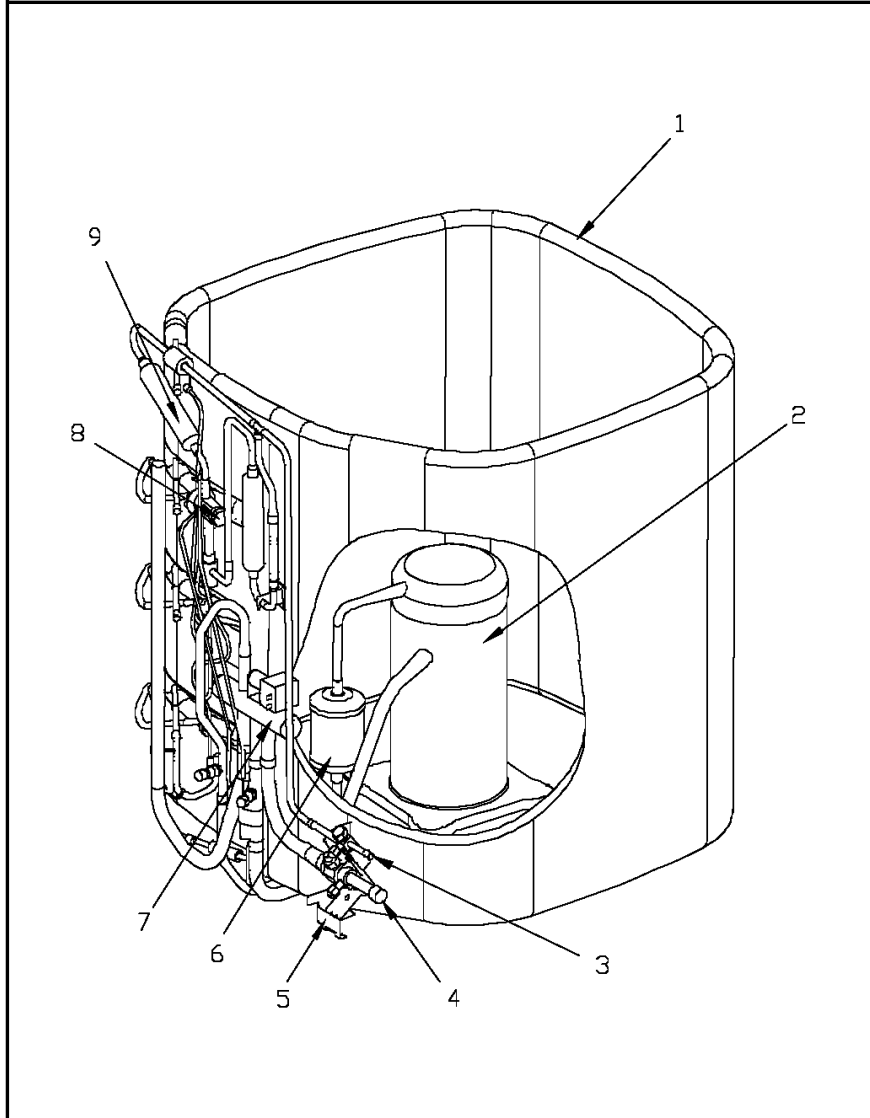


REFRIGERATION

75009223

REV  
A

Typical Illustration. Unit may not appear exactly as shown.



Parts List Number :75005591#4A6H5UP5

Model Number :4A6H5042G1000AA

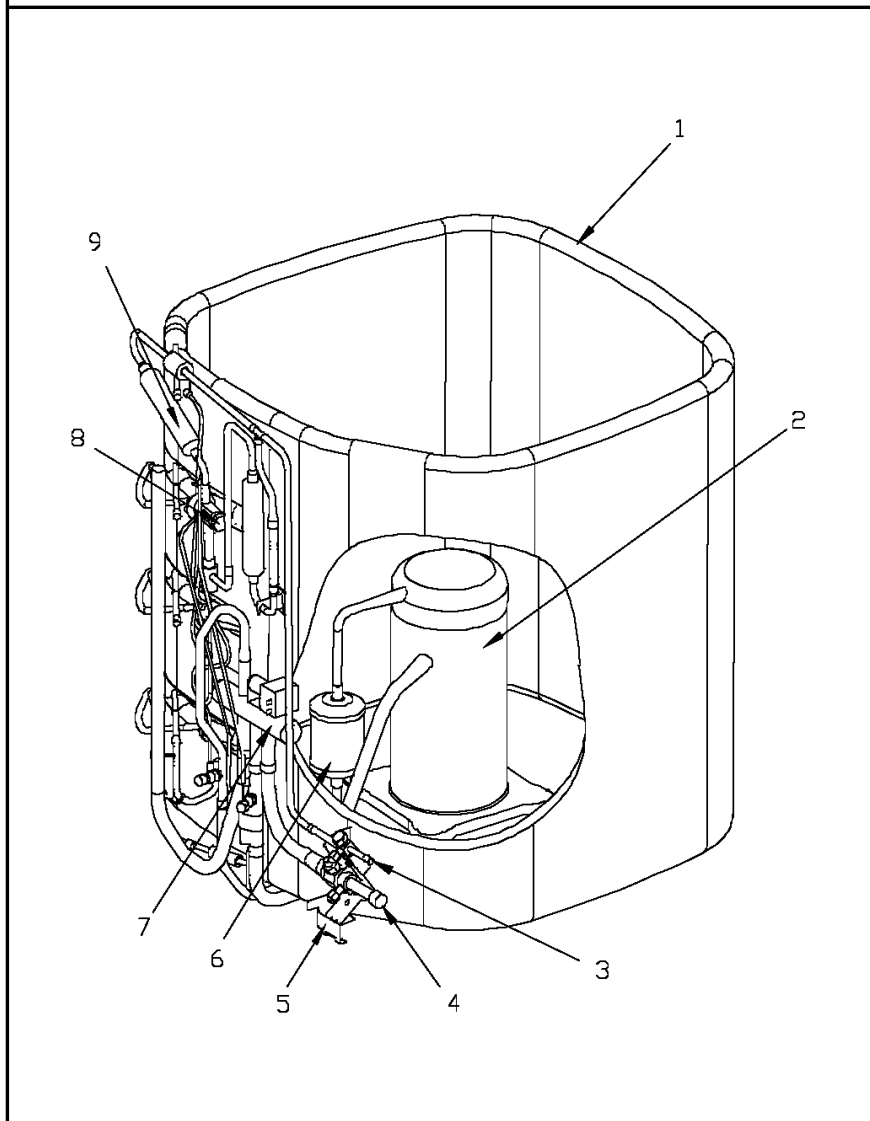
Part No.	Reference No.	Quantity	Description
75009223_4A6H5UP5_333776~P	*		REFRIGERATION PARTS LIST

REFRIGERATION

75009223

REV  
A

Typical Illustration. Unit may not appear exactly as shown.



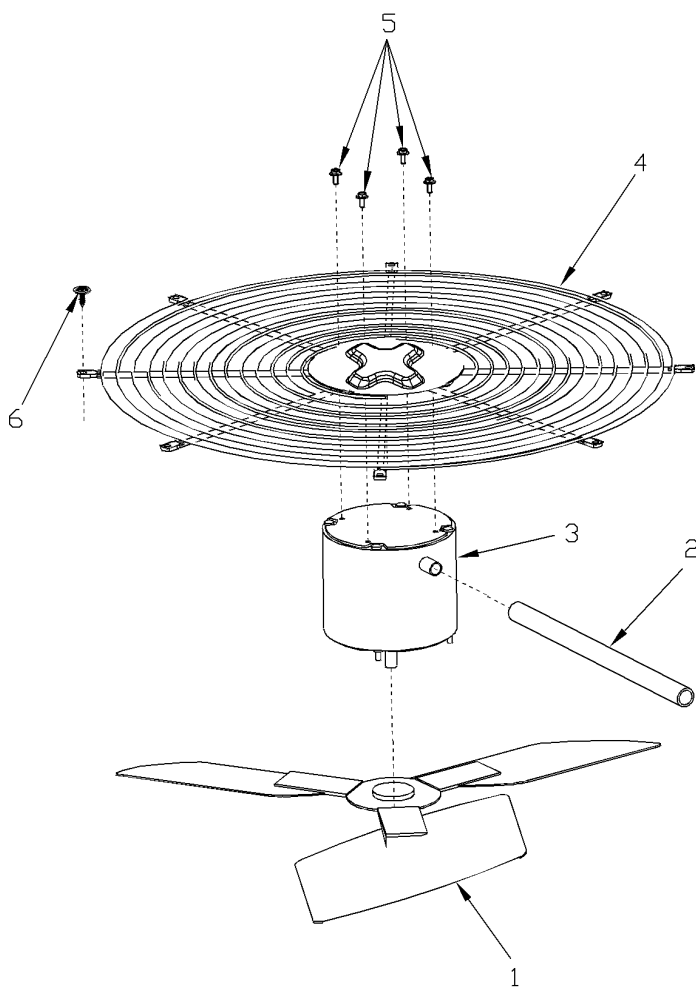
Part No.	Reference No.	Quantity	Description
ACC00168	*	1	ACCUMULATOR; .877 INLET, 13.13 L
BOD00114	*	3	BODY; VALVE, BRASS, 7/16 HEX, 7/16 -20 UNF-2A
CLP01072	*	1	CLIP; BULB (BLUE), 3/4 OD TUBE
CLP01101	*	1	CLIP; TUBE, BLACK PLASTIC
COR00103	*	2	CORE; VALVE, .79 LENGTH, .206-36 UNS-1 MOD. THD
DHY00187	*	1	DRIER; FILTER,SUCTION LINE, C306STHH, 3/4 ODF
HTR04935	*	1	HEATER, SUMP, BELLY BAND, 40 WATT, 230V, 6.5 DIA
ISR00007	*	4	ISOLATOR; VIBRATION
SHD00377	*	1	SHIELD; SALT, 39.75 X 8.00
SPC00382	*	1	SPACER; ORIFICE
SPC00386	*	1	SPACER; BASE, 5.50 X 1.00 X 0.50
SWT03273	*	1	SWITCH, HIGH PRESSURE, SPST, OPEN @ 650 PSIG, CLOSE @ 500 PSIG, 88° YELLOW LEAD
SWT03375	*	1	SWITCH; LOW PRESSURE, OPEN @ 35 PSIG CLOSE @ 55 PSIG
WIR03335	*	1	WIRE; PLUG SCROLL COMPRESSOR
COL18441	1	1	COIL; OUTDOOR
COM10048	2	1	COMPRESSOR; SCROLL; ALLIANCE; SXA036B1BPZ, 3.0 TON, 208-230V/60/1, STUB TUBE, R-410A
VAL09302	3	1	VALVE, SERVICE LIQUID, .31 ODF X .38 ODF
VAL07327	4	1	VALVE, SERVICE GAS, .75 OD X .75 OD, BALL VALVE ASSY, BRASS, FEMALE BRAZE TO FEMALE BRAZE, LEFT HAND SERVICE PORT
BRK03020	5	1	BRACKET; VALVE
MFL00806	6	1	MUFFLER; 1/2 ODF CONNECTION (DRIER COULD BE PAINTED EITHER SMOKE GRAY OR NAVY BLUE)
VAL08957	7	1	VALVE; SWITCHOVER, 6 TON, .75 ID X .50 OD, (INCLUDES SOLENOID COIL)
VAL08799	8	1	VALVE; EXPANSION, 0.38 ODS X 0.50 ODS, 5.0 TON-R410A AND POE
DHY01452	9	1	DRIER; BI-FLOW; SERVICE FIRST; 16 CU. IN; DCB163S, 3/8 ODF CONNECTIONS; 5.7 TON CAPACITY; APPROVED FOR MINERAL OIL AND POE OIL REFRIGERANTS; MANUFACTU

FAN

75005599

REV  
A

Typical Illustration. Unit may not appear exactly as shown.



Parts List Number :75005591#4A6H5UP5

Model Number :4A6H5042G1000AA

Part No.	Reference No.	Quantity	Description
75005599_4A6H5UP5_333774~P	*		FAN PARTS LIST

FAN

75005599

REV  
A

Typical Illustration. Unit may not appear exactly as shown.



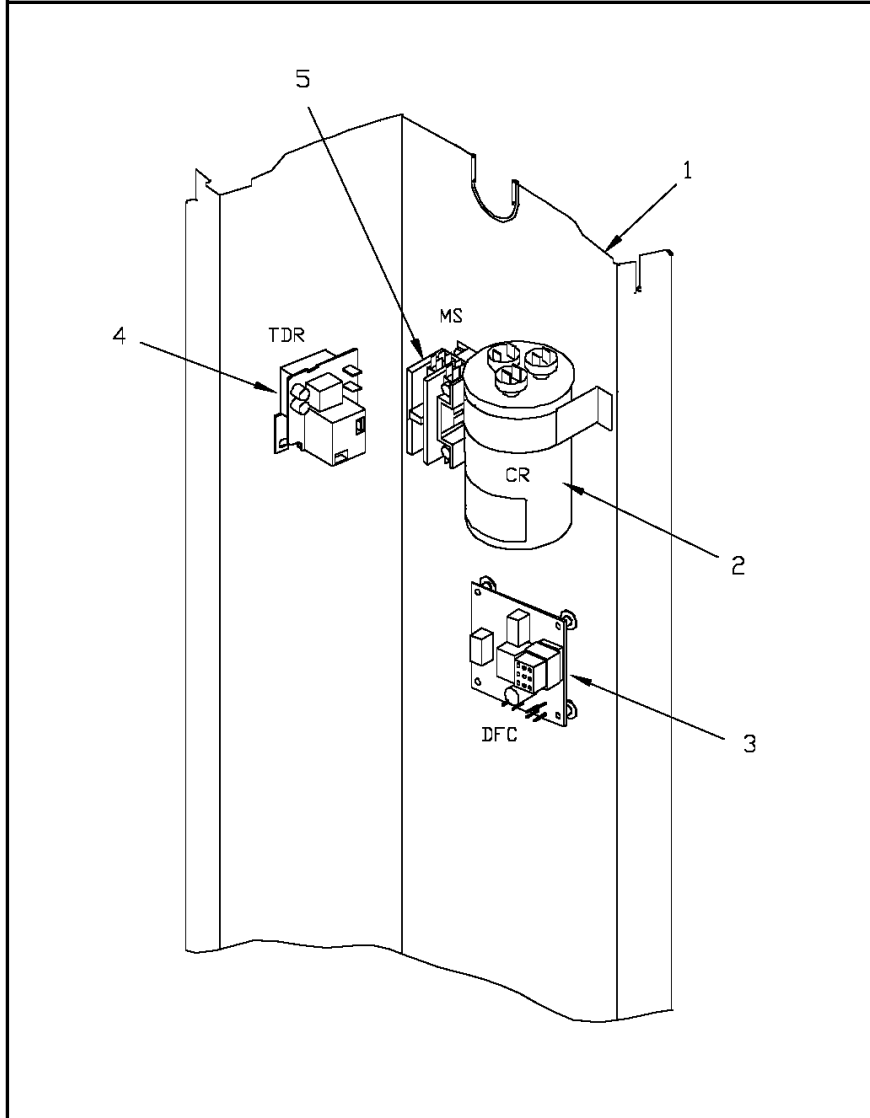
<b>Part No.</b>	<b>Reference No.</b>	<b>Quantity</b>	<b>Description</b>
COV03250	*	1	COVER; MOTOR, 6.86 DIA
FAN04321	1	1	FAN; 2 SWEPT BLADE, 27.5" DIA, 21 DEGREES PITCH, .50" BORE, CCW, ALUMINUM, 1 SET SCREW-STEEL
GRD01416	2	1	GUARD, TROUGH-LEAD
MOT14328	3	1	MOTOR; 1/8 HP, 200/230/60/1, 825 RPM, 48 FRAME, PSC, SLEEVE BEARING, CCW, 5 MFD CPT @ 370V
GRL01348	4	1	GRILLE; FAN, 29 IN DIA, SPIRAL WIRE, BASALT GREY
SCR02086	5	4	SCREW; 10-32 TR-3 HXW 3/8 S

CONTROLS

75008927

REV  
A

Typical Illustration. Unit may not appear exactly as shown.



Parts List Number :75005591#4A6H5UP5

Model Number :4A6H5042G1000AA

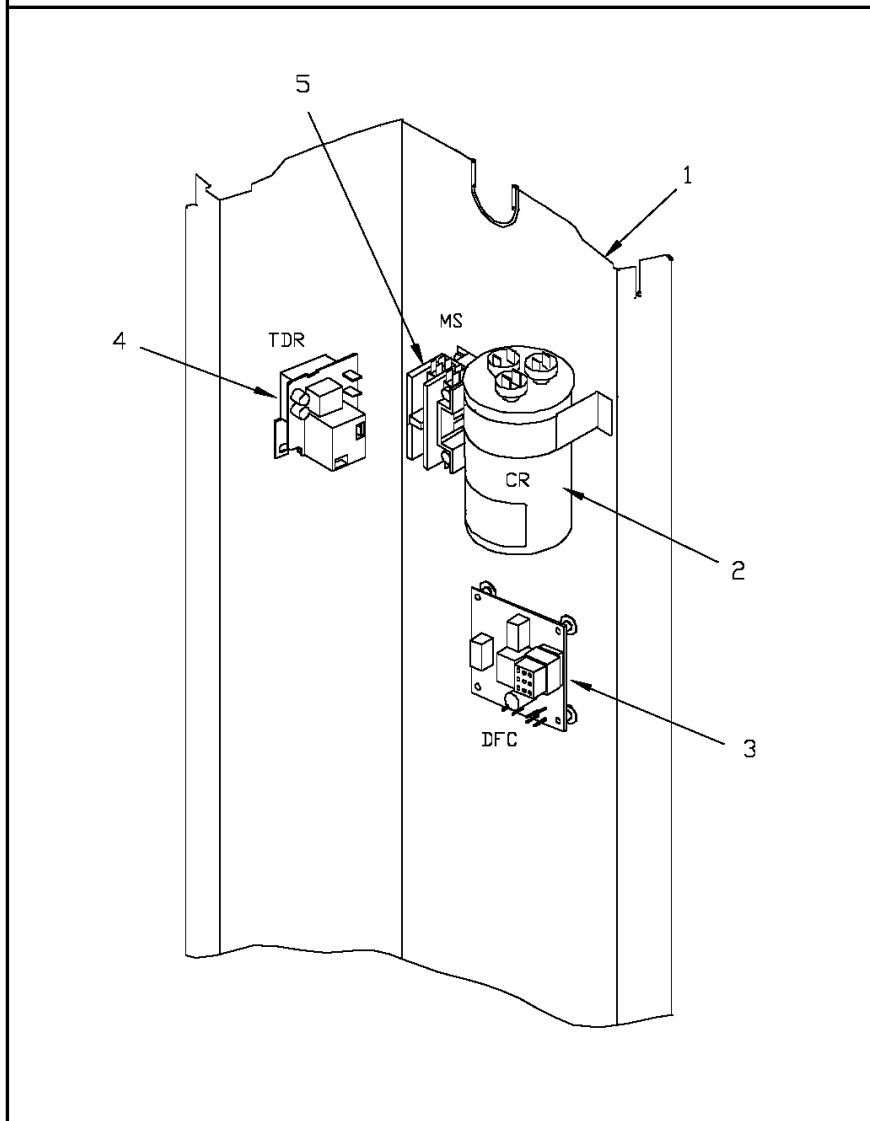
Part No.	Reference No.	Quantity	Description
75008927_4A6H5UP5_333775~P	*		CONTROLS PARTS LIST

CONTROLS

75008927

REV  
A

Typical Illustration. Unit may not appear exactly as shown.



Part No.	Reference No.	Quantity	Description
CLP00185	*	1	CLIP; TDL
CLP01039	*	1	CLIP; STRAIN RELIEF
CON00241	*	3	CONNECTOR; WIRE
RES00118	*	2	RESISTOR; THERMISTOR , 260 OHMS AT 75 DEGREE F
SEN00347	*	1	SENSOR; ASSEMBLY, 9.75 K OHMS RESISTANCE AT 75 DEG., F
SEN01540	*	1	SENSOR; ASSEMBLY-AMBIENT (ODS-B)
SHD00386	*	1	SHIELD; MOISTURE, 12.75 X 5.00
SHD00387	*	1	SHIELD; MOISTURE, 10.25 X 4.00
THT02243	*	1	THERMOSTAT, TERMINATOR, 240V, SPST, OPEN @ 105 DEGREE F, CLOSE @ 73 DEGREE F
WIR04846	*	1	WIRE; HARNESS-CONTROL PANEL, INCLUDES 9 PIN CONNECTOR CON00211
PNL13028	1	1	PANEL, CONTROL PANEL BASE, 35.14 HEIGHT
CPT00656	2	1	CAPACITOR; DUAL, 45/5 MFD, 440V, ROUND, W/O RESISTOR
CNT05482	3	1	CONTROL; DEFROST
RLY03167	4	1	RELAY-TIME DELAY
CTR00845	5	1	CONTACTOR; 30 AMP, 240/480/600V, 24V COIL, 1 POLE



Parts List Number :75005591#4A6H5UP5

Model Number :4A6H5042G1000AA

Part No.	Reference No.	Quantity	Description
75005592_4A6H5UP5_333773~P	*		CABINERY PARTS LIST



Part No.	Reference No.	Quantity	Description
BAS01834	*	1	BASE; 41.78 X 41.81 DIAGONALLY
PAI00207	*	1	PAINT; SPINNAKER GRAY (SHIPPING UOM 12 OZ HAZ) SPRAY CAN
PAI00248	*	1	PAINT; 12 OZ SPRAY, ANTHRACITE GRAY (SHIPPING UOM 12 OZ HAZ)
SCR02010	*	19	SCREW; 12-18 AB HXW 1/2 SN
GRL01348	1	1	GRILLE; FAN, 29 IN DIA, SPIRAL WIRE, BASALT GREY
COV04507	2	1	COVER; TOP, 37.00 X 34.00, SPINNAKER GRAY
PNL13181	3	1	PANEL; WRAPPER, 23.22 X 33.33
PNL26268	4	1	PANEL; CORNER POST, 3.5 x 33.3 INCHES
PNL13181	5	1	PANEL; WRAPPER, 23.22 X 33.33
COV04037	6	1	COVER; CONTROLS, 11 x 18 INCHES
COV03228	7	1	COVER, CONTROL BOTTOM
COV04041	8	1	COVER; VALVE, 11.32 x15.4 INCHES
PNL13185	9	1	PANEL; ACCESS, 19.88 X 32.65
PNL26268	10	1	PANEL; CORNER POST, 3.5 x 33.3 INCHES
PNL13184	11	1	PANEL; WRAPPER, 27.12 X 33.33
PNL26268	12	1	PANEL; CORNER POST, 3.5 x 33.3 INCHES

MODEL NUMBER DESCRIPTION

75005587

REL  
C

OUTDOOR UNITS

*Example Model Number:*

**4 A 7 A 0 0 3 6 A 1 0 0 0 A A**  
1 - - - 5 - - - - 10 - - - - 15

**Digit 1 – Refrigerant Type**

2 = R-22  
4 = R-410A

**Digit 2 – American Standard**

**Digit 3 – Product Type**

6,W = Split Heat Pump  
7,T = Split Cooling

**Digit 4 – Product Family**

V = Variable Speed  
Z = Leadership - Two Stage  
X = Leadership  
R = Replacement/Retail  
M or B = Basic  
A = Light Commercial  
L = Side Discharge

**Digit 5 – Family SEER**

3 = 13      7 = 17  
4 = 14      8 = 18  
5 = 15      9 = 19  
6 = 16      0 = 20

**Digits 6 – Split System Connections 1-6 Tons**

0 = Brazed

**Digits 7,8 – Nominal Capacity in 000s BTUs**

**Digit 9 – Major Design Modifications**

**Digit 10 – Power Supply**

1 = 200-230/1/60 or 208-230/1/60  
3 = 200-230/3/60  
4 = 460/3/60

**Digit 11,12,13 – Secondary Function**

**Digit 14 – Minor Design Modifications**

**Digit 15 – Unit Parts Identifier**

Part No.	Reference No.	Quantity	Description
75005587_4A6H5UP5_277790~P	*		MODEL NOMENCLATURE PARTS LIST

MODEL NUMBER DESCRIPTION

75005587

REL  
C

OUTDOOR UNITS

*Example Model Number:*

**4 A 7 A 0 0 3 6 A 1 0 0 0 A A**  
1 - - - 5 - - - 10 - - - 15

**Digit 1 – Refrigerant Type**

2 = R-22  
4 = R-410A

**Digit 2 – American Standard**

**Digit 3 – Product Type**

6,W = Split Heat Pump  
7,T = Split Cooling

**Digit 4 – Product Family**

V = Variable Speed  
Z = Leadership - Two Stage  
X = Leadership  
R = Replacement/Retail  
M or B = Basic  
A = Light Commercial  
L = Side Discharge

**Digit 5 – Family SEER**

3 = 13      7 = 17  
4 = 14      8 = 18  
5 = 15      9 = 19  
6 = 16      0 = 20

**Digits 6 – Split System Connections 1-6 Tons**

0 = Brazed

**Digits 7,8 – Nominal Capacity in 000s BTUs**

**Digit 9 – Major Design Modifications**

**Digit 10 – Power Supply**

1 = 200-230/1/60 or 208-230/1/60  
3 = 200-230/3/60  
4 = 460/3/60

**Digit 11,12,13 – Secondary Function**

**Digit 14 – Minor Design Modifications**

**Digit 15 – Unit Parts Identifier**

Parts List Number :75005591#4A6H5UP5

Model Number :4A6H5042G1000AA

Part No.	Reference No.	Quantity	Description
OPTIONS_4A6H5UP5_333777~P	*		OPTIONAL FIELD INSTALLED ACCESSORIES PARTS LIST

NO GRAPHIC AVAILABLE

75013702

REV  
A

**NO  
GRAPHIC  
AVAILABLE**

Parts List Number :75005591#4A6H5UP5

Model Number :4A6H5042G1000AA

Part No.	Reference No.	Quantity	Description
KIT02134	*	1	KIT-LOW TEMPERATURE COOLING (AY28X084)
KIT05354	*	1	KIT; TIME DELAY (TAYASCT501A) - 5 MINUTE RELAY ONLY IS RLY01343
KIT07731	*	1	KIT; SNOW LEGS, CONTAINS (4) 6" MOUNTING LEGS (BAYLEGS002)
KIT07732	*	1	KIT; SNOW LEGS, (4" EXTENSION KIT) (BAYLEGS003)
KIT07908	*	1	KIT; START ASSEMBLY (BAYKSKT260)
KIT08036	*	1	KIT; SEA COAST (BAYSEAC001)
KIT08087	*	1	KIT; HEAD PRESSURE (BAYLOAM103)
KIT09425	*	1	KIT; ISOLATOR (BAYISLT101) (CONTAINS A QTY OF 5 ISOLATORS)
KIT15190	*	1	KIT; EXTREME MOUNTING CONDITION (BAYECMT004).
PAI00309	*	1	PAINT; DARK BROWN, 12 OZ SPRAY CAN, HERESITE AIR DRY PHENOLIC COATING, VR-554T