

| Part No. | Reference No. | Quantity | Description |
|-----------------|----------------------|-----------------|--------------------------|
| 0000162201~S | * | | CABINET |
| 0000162202~S | * | | COMPRESSOR MTG |
| 0000172426~S | * | | COMPRESSOR |
| 0000162203~S | * | | CONTROLS |
| 0000162200~S | * | | FAN |
| 0000092880~S | * | | GENERAL ASSEMBLY |
| 0000162226~S | * | | MODEL NUMBER DESCRIPTION |
| 0000162224~S | * | | REFRIGERATION |

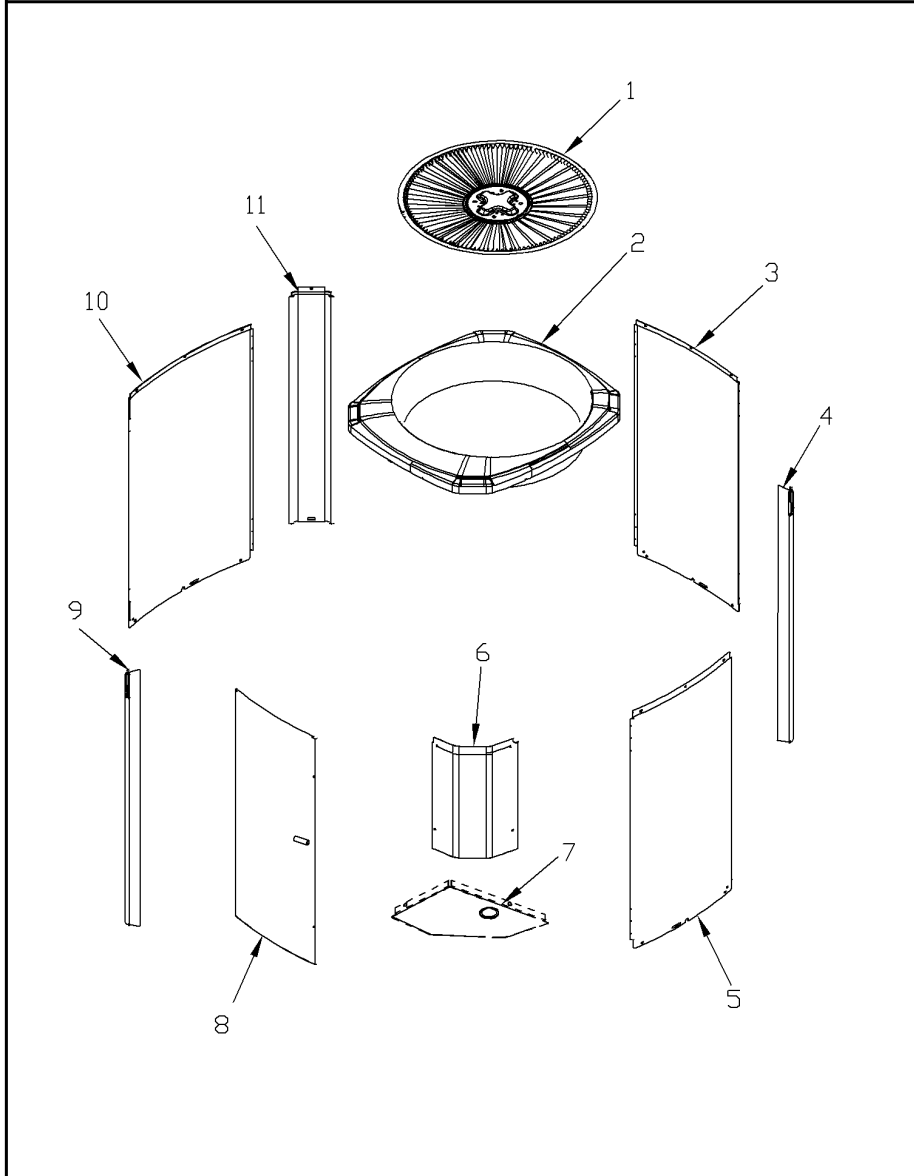
| Part No. | Reference No. | Quantity | Description |
|--------------|---------------|----------|--------------------|
| 0000032873~P | * | | CABINET PARTS LIST |

CABINETRY

75006805

REV
A

Typical Illustration. Unit may not appear exactly as shown.



| Part No. | Reference No. | Quantity | Description |
|----------|---------------|----------|---|
| BAS01834 | * | 1 | BASE; 41.78 X 41.81 DIAGONALLY |
| PAI00074 | * | 0 | PAINT; SPRAY, SLATE GREY, FULL GLOSS(88) (SHIPPING UOM 12 OZ HAZ) |
| PAI00207 | * | 0 | PAINT; SPINNAKER GRAY (SHIPPING UOM 12 OZ HAZ) SPRAY CAN |
| SCR02010 | * | 17 | SCREW; 12-18 AB HXW 1/2 SN |
| SCR02054 | * | 17 | SCREW; 12-18 AB HXW 1/2 SN |
| COV04035 | 2 | 1 | COVER; TOP, 37.00 X 34.00 |
| PNL13184 | 3 | 1 | PANEL; WRAPPER, 27.12 X 33.33 |
| COV04037 | 6 | 1 | COVER; CONTROLS, 11 x 18 INCHES |
| COV03228 | 7 | 1 | COVER, CONTROL BOTTOM |
| PNL13185 | 8 | 1 | PANEL; ACCESS, 19.88 X 32.65 |
| PNL13181 | 10 | 2 | PANEL; WRAPPER, 23.22 X 33.33 |
| PNL26268 | 11 | 3 | PANEL; CORNER POST, 3.5 x 33.3 INCHES |

COMPRESSOR

Parts List Number :0000162217

Model Number :4A6H5036N1000AA

| Part No. | Reference No. | Quantity | Description |
|--------------|---------------|----------|-------------------|
| 0000037267~P | * | | SCROLL COMPRESSOR |

| Part No. | Reference No. | Quantity | Description |
|----------|---------------|----------|---------------------------|
| COM13740 | * | 1 | COMPRESSOR; SCROLL, ALLIA |

| Part No. | Reference No. | Quantity | Description |
|--------------|---------------|----------|----------------|
| 0000032889~P | * | | COMPRESSOR MTG |

| Part No. | Reference No. | Quantity | Description |
|-----------------|----------------------|-----------------|--|
| ISR00007 | * | 4 | ISOLATOR; VIBRATION |
| KIT08039 | * | 4 | KIT; GROMMETS. COMPRESSOR MOUNTING. (CONSISTS OF 4), 0.44 ID X 1.63 OD NEOPRENE RUBBER-BLACK 45-55 DUROMETER |
| SCR01914 | * | 4 | SCREW, ASSEMBLY COMPRESSOR, 5/16-12 TYPE B, W/WASHER & SLEEVE |

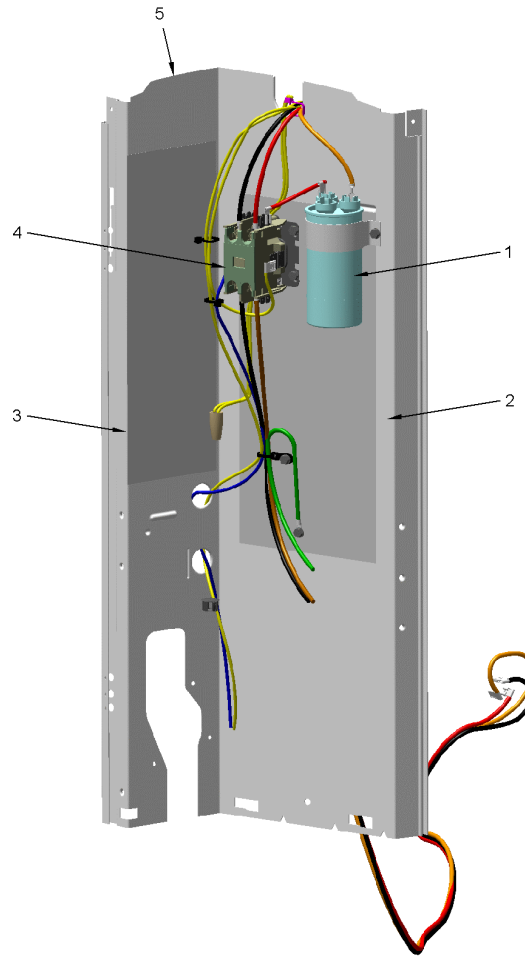
| Part No. | Reference No. | Quantity | Description |
|--------------|---------------|----------|---------------------|
| 0000032893~P | * | | CONTROLS PARTS LIST |

CONTROLS

75010701

REV
A

TYPICAL ILLUSTRATION



| Part No. | Reference No. | Quantity | Description |
|----------|---------------|----------|---|
| CNT08177 | * | 1 | CONTROL; DEFROST |
| CON00241 | * | 1 | CONNECTOR; WIRE |
| PAI00246 | * | 0 | PAINT; SPRAY, TARPAULIN GRAY (SHIPPING UOM 12 OZ HAZ) |
| PNL13028 | * | 1 | PANEL, CONTROL PANEL BASE, 35.14 HEIGHT |
| SCR01918 | * | 7 | SCREW, 10-24 THREAD ROLL, INDENT HEX WASHER HD |
| SCR01924 | * | 3 | SCREW; 6-32 X .75, THREAD ROLLING SCREWS-ZINC PLATED, HEX WASHER |
| SEN02353 | * | 1 | SENSOR; ASSEMBLY, AMBIENT, 10 IN WIRE LENGTH, -40C TO 105C OP TEMP RANGE, 14 IN WIRE LENGTH |
| SEN02908 | * | 1 | SENSOR; COIL, 5/16 CLIP, YELLOW WIRES, 43 IN LENGTH |
| SRP00269 | * | 1 | STRAP; CAPACITOR |
| TER00312 | * | 1 | TERMINAL; 8IN. TIE CABLE |
| TIE00007 | * | 1 | TIE;CABLE |
| WIR03324 | * | 1 | WIRE, PLUG-SCROLL COMPRESSOR |
| WIR07598 | * | 1 | WIRE; HARNESS, 9 PIN TO J4 ON DFC |
| CPT02380 | 1 | 1 | CAPACITOR; DUAL, 45/5 MFD, 370V, ROUND, W/O RESISTOR |
| SHD00386 | 2 | 1 | SHIELD; MOISTURE, 12.75 X 5.00 |
| CTR00845 | 4 | 1 | CONTACTOR; 30 AMP, 240/480/600V, 24V COIL, 1 POLE |
| SHD00387 | 5 | 1 | SHIELD; MOISTURE, 10.25 X 4.00 |

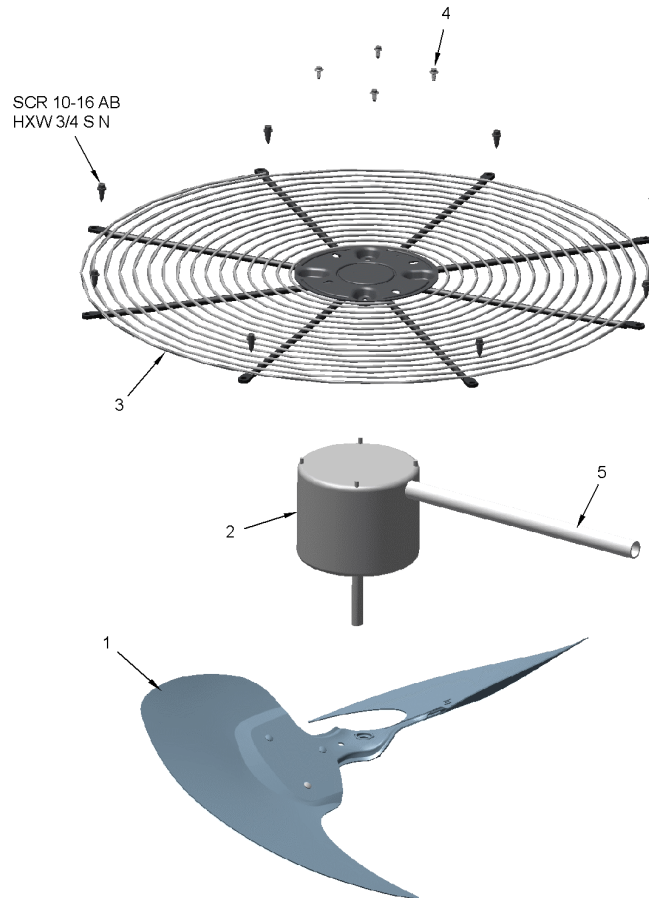
| Part No. | Reference No. | Quantity | Description |
|--------------|---------------|----------|----------------|
| 0000032869~P | * | | FAN PARTS LIST |

FAN

75010673

REV
A

TYPICAL ILLUSTRATION



| Part No. | Reference No. | Quantity | Description |
|-----------------|----------------------|-----------------|--|
| FAN04321 | 1 | 1 | FAN; 2 SWEPT BLADE, 27.5" DIA, 21 DEGREES PITCH, .50" BORE, CCW, ALUMINUM, 1 SET SCREW-STEEL |
| MOT16968 | 2 | 1 | MOTOR; 1/8 HP |
| SCR02086 | 4 | 4 | SCREW; 10-32 TR-3 HXW 3/8 S |
| GRD01416 | 5 | 1 | GUARD, TROUGH-LEAD |

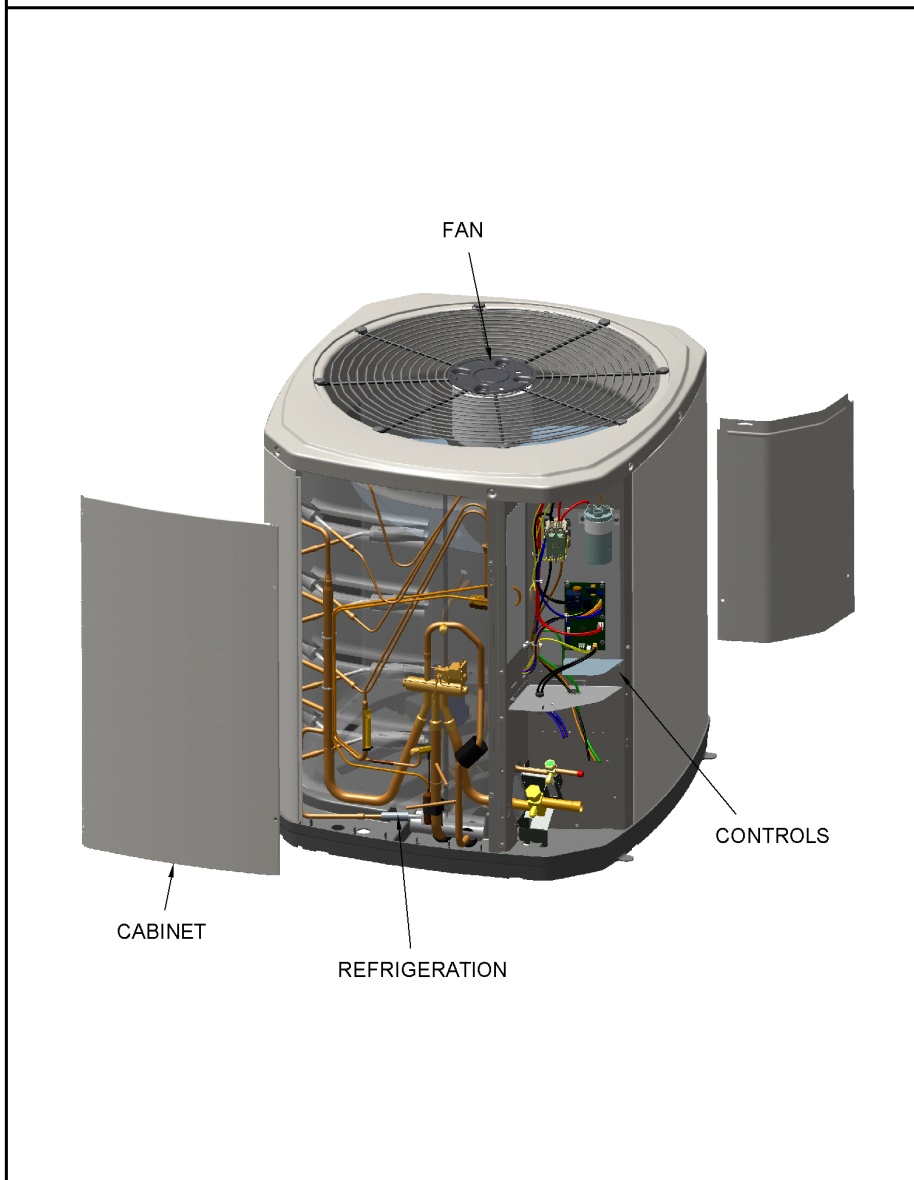
| Part No. | Reference No. | Quantity | Description |
|-------------|---------------|----------|--------------------------|
| 000006255~P | * | | GENERAL ASSEMBLY GRAPHIC |

SPLIT SYSTEM HEAT PUMP

75010795

REV.
A

TYPICAL ILLUSTRATION



| Part No. | Reference No. | Quantity | Description |
|--------------|---------------|----------|--------------------------|
| 0000026112~P | * | | MODEL NUMBER DESCRIPTION |

MODEL NUMBER DESCRIPTION

75005587

REL
C

OUTDOOR UNITS

Example Model Number:

4 A 7 A 0 0 3 6 A 1 0 0 0 A A
1 - - - 5 - - - 10 - - - 15

Digit 1 – Refrigerant Type

2 = R-22
4 = R-410A

Digit 2 – American Standard

Digit 3 – Product Type

6,W = Split Heat Pump
7,T = Split Cooling

Digit 4 – Product Family

V = Variable Speed
Z = Leadership - Two Stage
X = Leadership
R = Replacement/Retail
M or B = Basic
A = Light Commercial
L = Side Discharge

Digit 5 – Family SEER

3 = 13 7 = 17
4 = 14 8 = 18
5 = 15 9 = 19
6 = 16 0 = 20

Digits 6 – Split System Connections 1-6 Tons

0 = Brazed

Digits 7,8 – Nominal Capacity in 000s BTUs

Digit 9 – Major Design Modifications

Digit 10 – Power Supply

1 = 200-230/1/60 or 208-230/1/60
3 = 200-230/3/60
4 = 460/3/60

Digit 11,12,13 – Secondary Function

Digit 14 – Minor Design Modifications

Digit 15 – Unit Parts Identifier

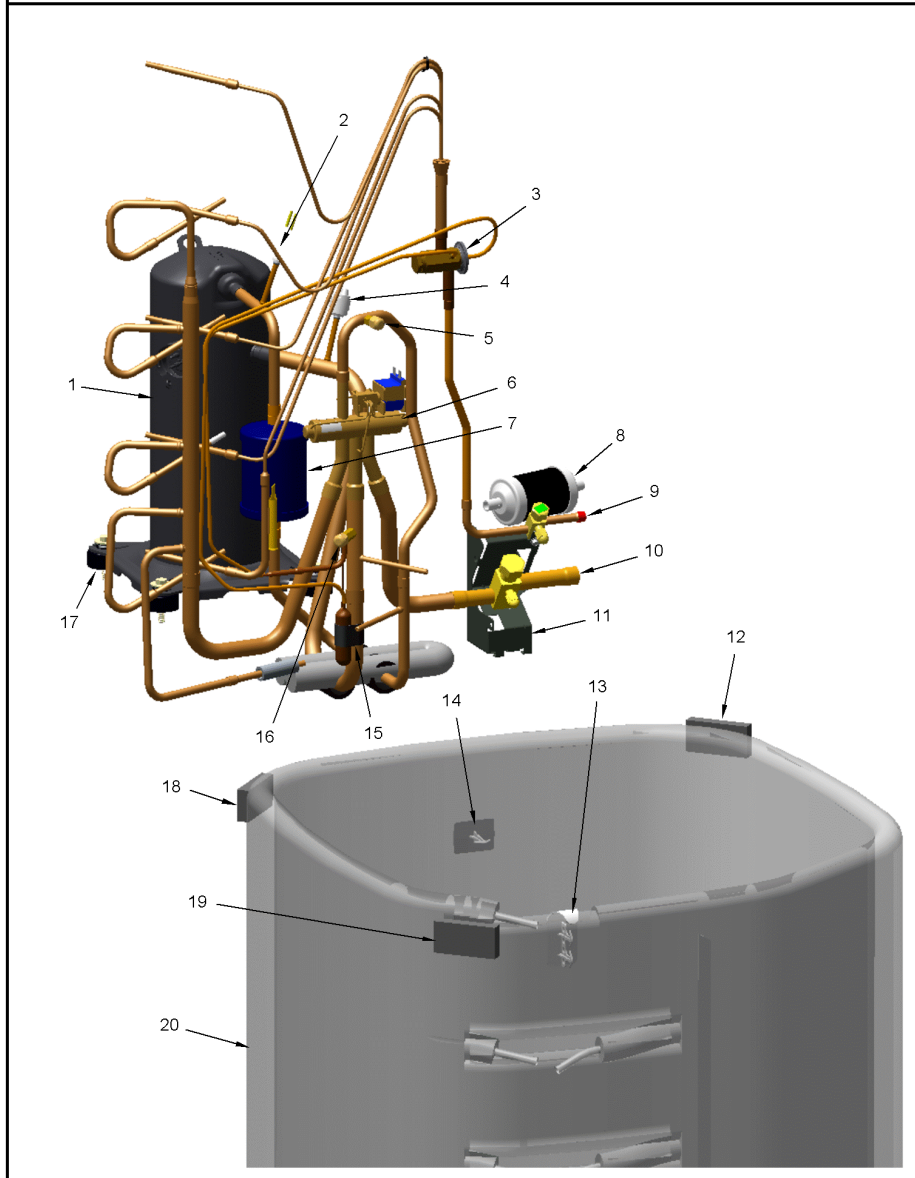
| Part No. | Reference No. | Quantity | Description |
|--------------|---------------|----------|--------------------------|
| 0000032897~P | * | | REFRIGERATION PARTS LIST |

REFRIGERATION

75010794

REV
A

TYPICAL ILLUSTRATION



| Part No. | Reference No. | Quantity | Description |
|----------|---------------|----------|---|
| CAP00455 | * | 2 | CAP; HUB, 7/16-20 STRAIGHT |
| COM11526 | * | 1 | COMPRESSOR; SCROLL, ALLIANCE, SBA029C1CPZ, 2.5 TON, 29,000 BTUH, 208/230-60-1, R410-A, BRAZED, SUCTION 3/4, DISCHARGE 1/2, RLA 15.7 |
| PAI00246 | * | 0 | PAINT; SPRAY, TARPAULIN GRAY (SHIPPING UOM 12 OZ HAZ) |
| SCR02010 | * | 4 | SCREW; 12-18 AB HXW 1/2 SN |
| SCR02054 | * | 4 | SCREW; 12-18 AB HXW 1/2 SN |
| SLV00082 | * | 0 | SLEEVE; |
| SLV00083 | * | 0 | SLEEVE; |
| SWT04657 | * | 1 | SWITCH; LOW PRESSURE BZ |
| TER00312 | * | 0 | TERMINAL; 8IN. TIE CABLE |
| TIE00007 | * | 0 | TIE;CABLE |
| TIE00023 | * | 7 | TIE;CABLE, 8.00IN. |
| TUB02810 | * | 10 | TUBE; TRANSITION |
| TUB11547 | * | 10 | TUBE; TRANSITION ASSEMBLY |
| TUB14097 | * | 1 | TUBE; SOV |
| TUB15007 | * | 1 | TUBE; ASSEMBLY-DISCHARGE BZ |
| TUB15937 | * | 1 | TUBE; TU ASM-VLV |
| COL28896 | 1 | 0 | COIL; SPINE FIN |
| SWT03273 | 2 | 1 | SWITCH, HIGH PRESSURE, SPST, OPEN @ 650 PSIG, CLOSE @ 500 PSIG, 88" YELLOW LEAD |
| VAL20073 | 3 | 1 | VALVE; EXPANSION TXV |
| VAL08957 | 6 | 1 | VALVE; SWITCHOVER, 6 TON, .75 ID X .50 OD, (INCLUDES SOLENOID COIL) |
| MFL00806 | 7 | 1 | MUFFLER; 1/2 ODF CONNECTION (DRIER COULD BE PAINTED EITHER SMOKE GRAY OR NAVY BLUE) |
| CAP01315 | 9 | 1 | CAP; SERVICE LIQUID VALVE, BRASS, 1.06 OD X 0.81 ID X 15/16-20UNEF-2B |
| CAP01336 | 10 | 1 | CAP; SERVICE LIQUID VALVE, BRASS, 0.75 OD X 0.57 ID X 11/16-28UN-2B |
| BRK03020 | 11 | 1 | BRACKET; VALVE |
| CLP01072 | 15 | 1 | CLIP; BULB (BLUE), 3/4 OD TUBE |
| COR00103 | 16 | 1 | CORE; VALVE, .79 LENGTH, .206-36 UNS-1 MOD. THD |