

GENERAL ASSEMBLY

75005591

REV
A

Typical Illustration. Unit may not appear exactly as shown.



| Part No. | Reference No. | Quantity | Description |
|----------------------------|----------------------|-----------------|--------------------------------------|
| 75005592#4A6H5UP5~S | * | | CABINTRY |
| 75008926#4A6H5UP5~S | * | | CONTROLS |
| 75005593#4A6H5UP5~S | * | | FAN |
| 75005591_4A6H5UP5_277789~P | * | | GENERAL ASSEMBLY PARTS LIST |
| 75005587#4A6H5UP5~S | * | | MODEL NOMENCLATURE |
| OPTIONS#4A6H5UP5~S | * | | OPTIONAL FIELD INSTALLED ACCESSORIES |
| 75009818#4A6H5UP5~S | * | | REFRIGERATION |

GENERAL ASSEMBLY

75005591

REV
A

Typical Illustration. Unit may not appear exactly as shown.

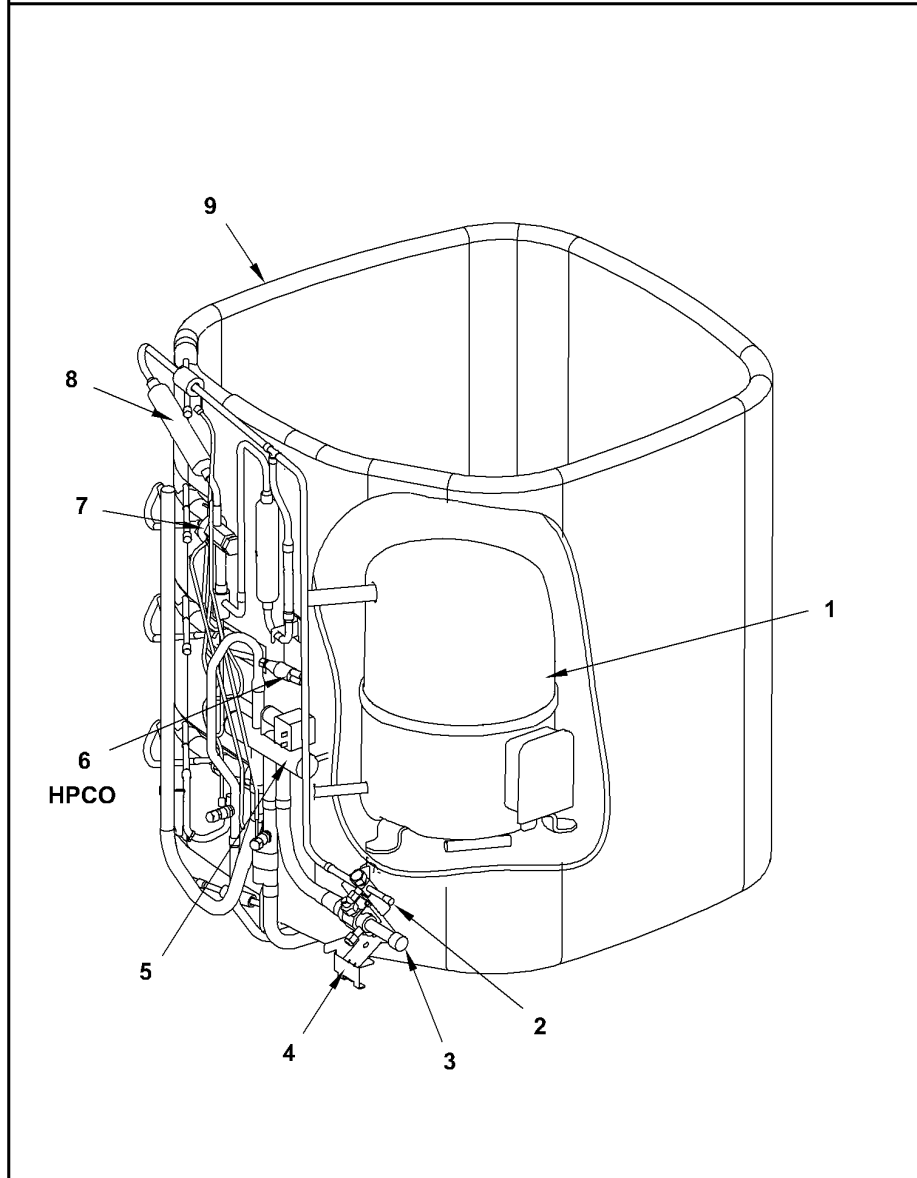


REFRIGERATION

75009818

REV
A

Typical Illustration. Unit may not appear exactly as shown.



REFRIGERATION

Parts List Number :75005591#4A6H5UP5

Model Number :4A6H5036G1000AB

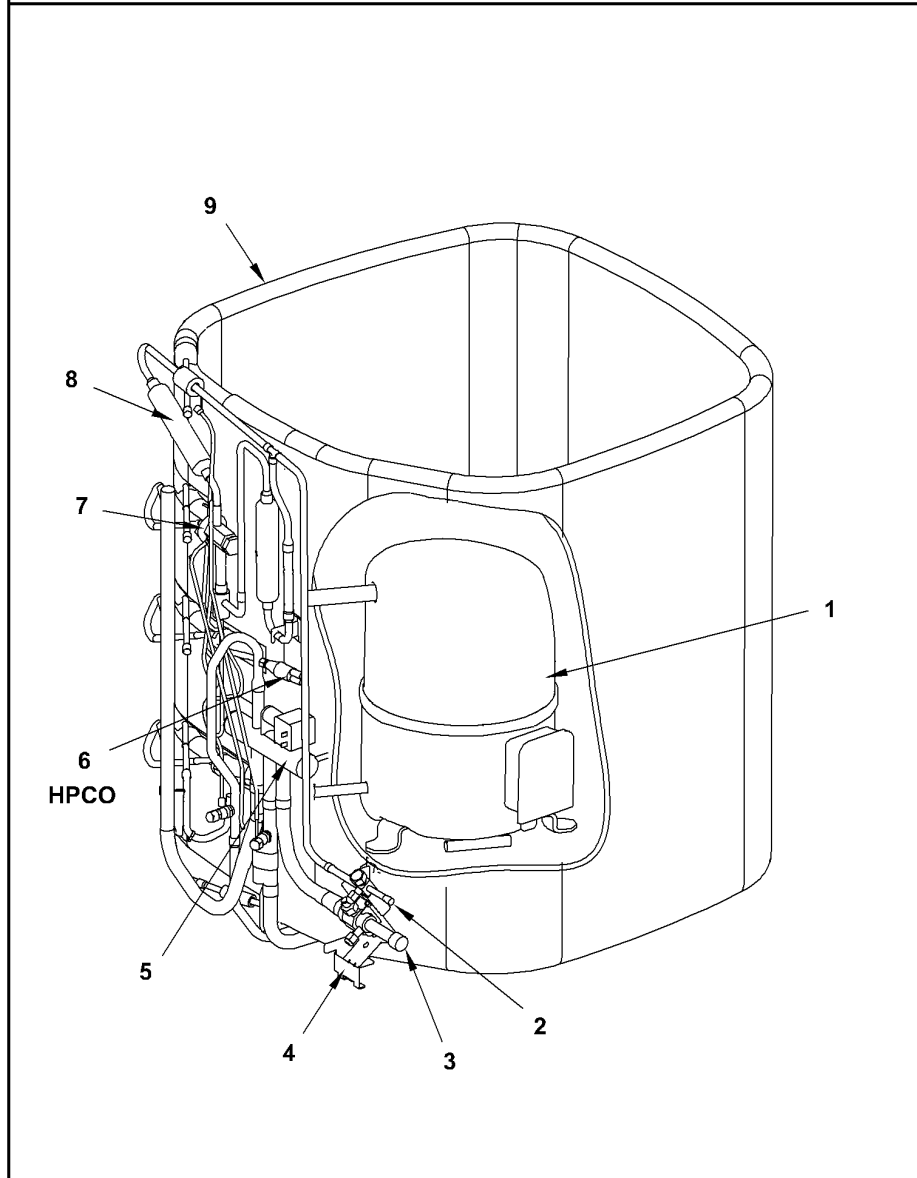
| Part No. | Reference No. | Quantity | Description |
|----------------------------|---------------|----------|--------------------------|
| 75009818_4A6H5UP5_328339~P | * | | REFRIGERATION PARTS LIST |

REFRIGERATION

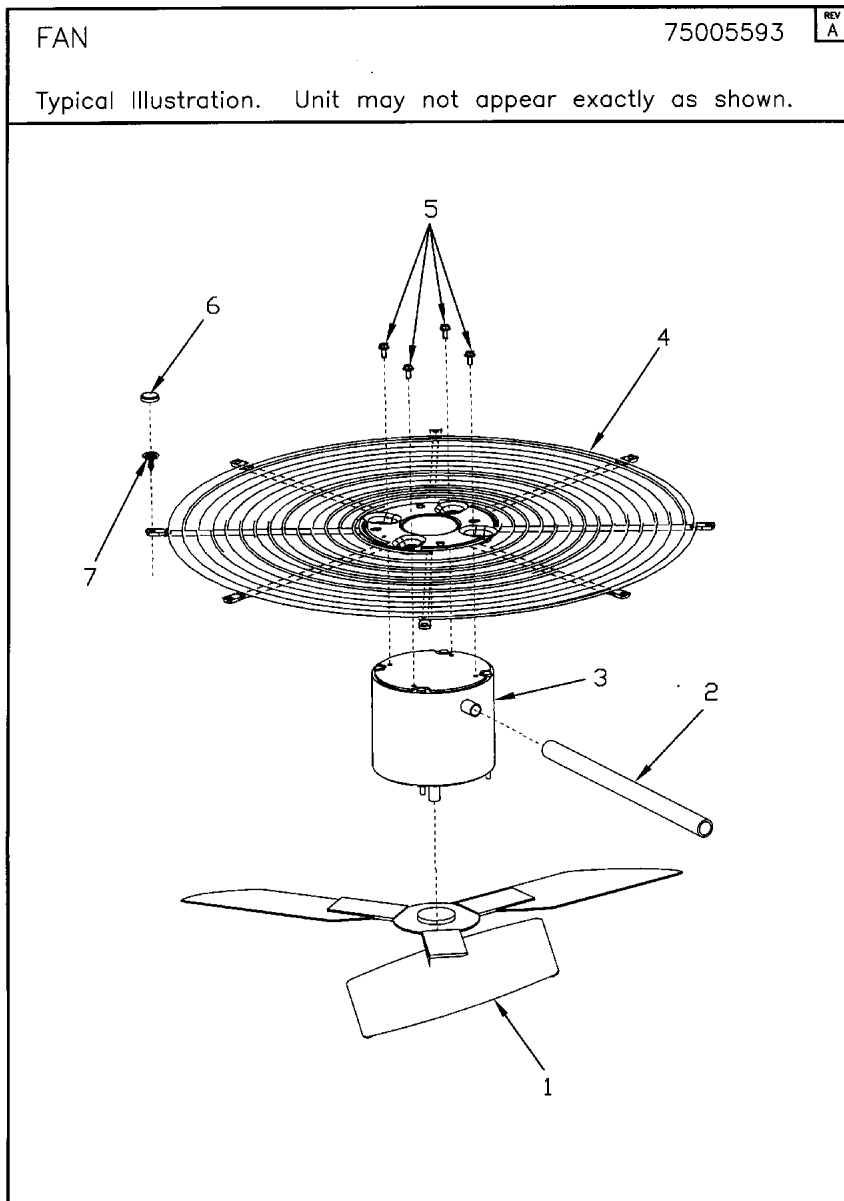
75009818

REV
A

Typical Illustration. Unit may not appear exactly as shown.



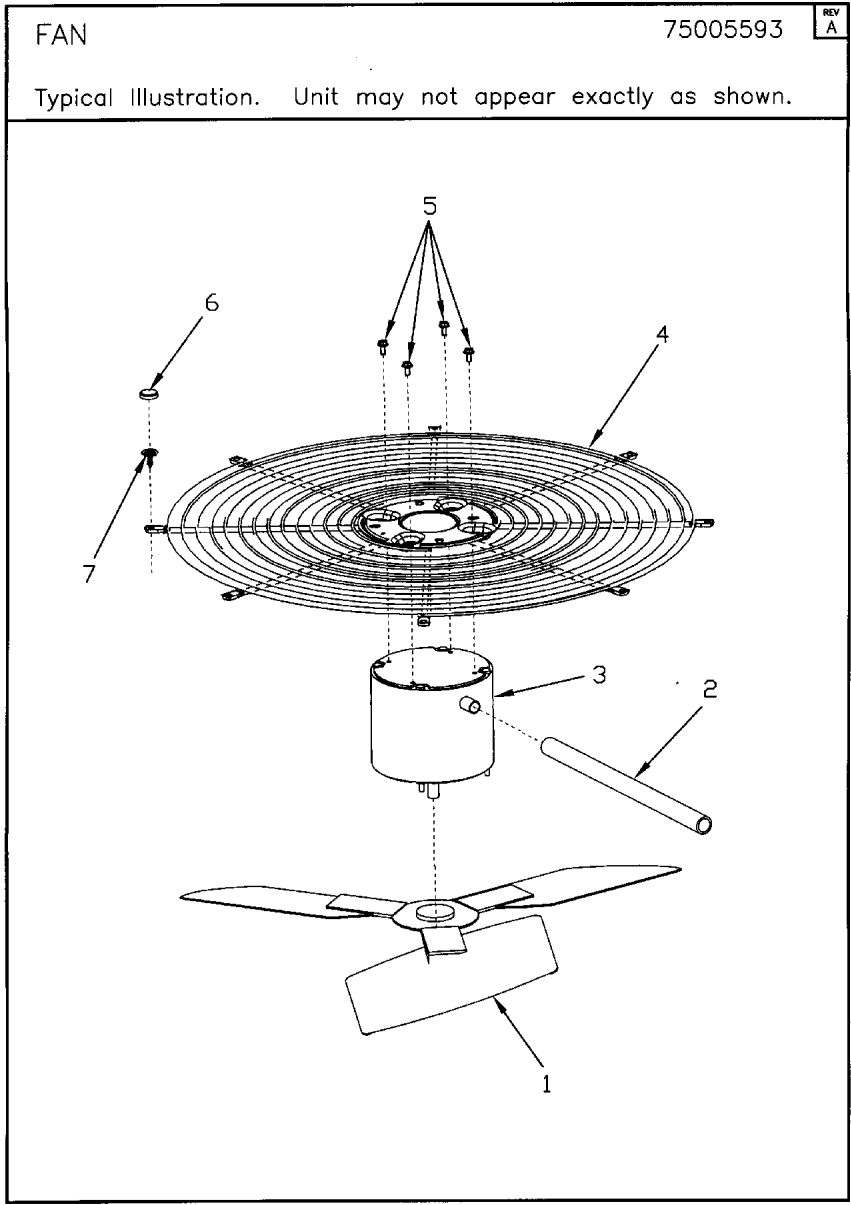
| Part No. | Reference No. | Quantity | Description |
|----------|---------------|----------|--|
| ATT00450 | * | 1 | ATTENUATOR; NOISE ENCLOSURE, 10.125 ID |
| BOD00114 | * | 3 | BODY; VALVE, BRASS, 7/16 HEX, 7/16 -20 UNF-2A |
| CLP01072 | * | 1 | CLIP; BULB (BLUE), 3/4 OD TUBE |
| CLP01101 | * | 1 | CLIP; TUBE, BLACK PLASTIC |
| COL11873 | * | 1 | COIL; SOLENOID-HOLDING, 24V-50/60 HZ, (RMS) (ALCO/EMERSON) |
| COR00103 | * | 2 | CORE; VALVE, .79 LENGTH, .206-36 UNS-1 MOD. THD |
| DHY00187 | * | 1 | DRIER; FILTER,SUCTION LINE, C306STHH, 3/4 ODF |
| HTR04156 | * | 1 | HEATER, SUMP/CRANKCASE, 40 WATTS, 230V |
| MFL00806 | * | 1 | MUFFLER; 1/2 ODF CONNECTION (DRIER COULD BE PAINTED EITHER SMOKE GRAY OR NAVY BLUE) |
| MNT00479 | * | 3 | MOUNT; VIBRATION ISOLATOR, COMPRESSOR |
| SHD00376 | * | 1 | SHIELD; SALT, 35.75 X 8.00 |
| SPC00382 | * | 1 | SPACER; ORIFICE |
| SPC00386 | * | 1 | SPACER; BASE, 5.50 X 1.00 X 0.50 |
| SWT03555 | * | 1 | SWITCH; LOW PRESSURE, OPEN @ 25 PSIG CLOSE @ 45 PSIG |
| WIR03380 | * | 1 | WIRE; HARNESS-COMPRESSOR |
| COM09700 | 1 | 1 | COMPRESSOR; RECIP, DP30A-BC1-LB, 2.3 TON, 208-230/60/1, R410A, BRAZED-STUB TUBE |
| VAL09302 | 2 | 1 | VALVE, SERVICE LIQUID, .31 ODF X .38 ODF |
| VAL07327 | 3 | 1 | VALVE, SERVICE GAS, .75 OD X .75 OD, BALL VALVE ASSY, BRASS, FEMALE BRAZE TO FEMALE BRAZE, LEFT HAND SERVICE PORT |
| BRK03020 | 4 | 1 | BRACKET; VALVE |
| SWT03274 | 6 | 1 | SWITCH, HIGH PRESSURE, SPST, OPEN @ 650 PSIG, CLOSE @ 500 PSIG, 75" YELLOW LEAD |
| VAL08798 | 7 | 1 | VALVE; EXPANSION, 0.38 ODS X 0.50 ODS, 3.0 TON-R410A AND POE |
| VAL08957 | 7 | 1 | VALVE; SWITCHOVER, 6 TON, .75 ID X .50 OD, (INCLUDES SOLENOID COIL) |
| DHY01452 | 8 | 1 | DRIER; BI-FLOW; SERVICE FIRST; 16 CU. IN; DCB163S, 3/8 ODF CONNECTIONS; 5.7 TON CAPACITY; APPROVED FOR MINERAL OIL AND POE OIL REFRIGERANTS; MANUFACTU |
| COL16828 | 9 | 1 | COIL; CONDENSER SPINE-FIN |



Parts List Number :75005591#4A6H5UP5

Model Number :4A6H5036G1000AB

| Part No. | Reference No. | Quantity | Description |
|----------------------------|---------------|----------|----------------|
| 75005593_4A6H5UP5_315309~P | * | | FAN PARTS LIST |



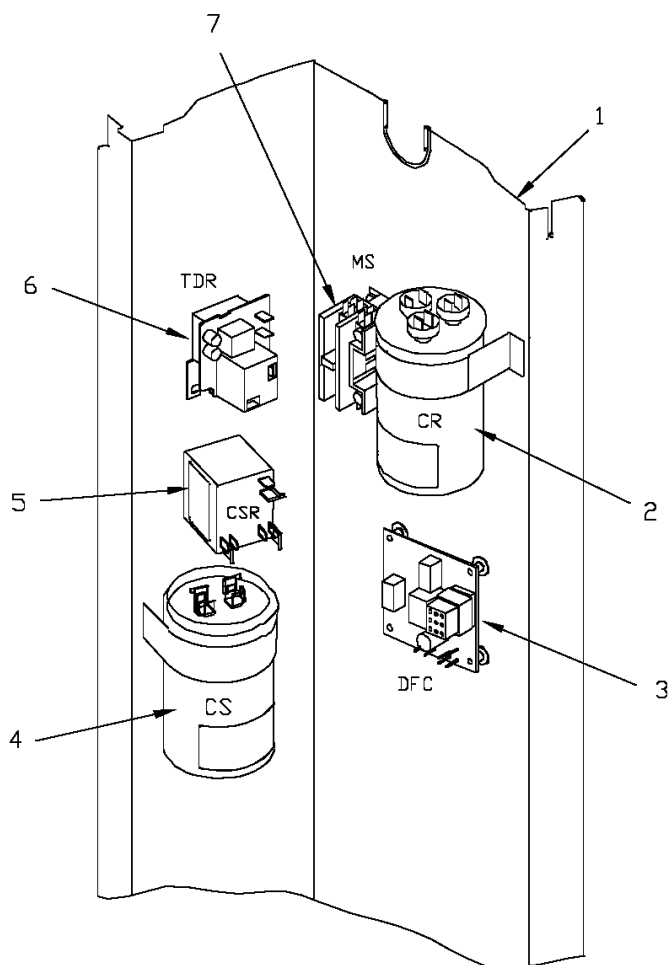
| Part No. | Reference No. | Quantity | Description |
|----------|---------------|----------|--|
| COV03250 | * | 1 | COVER; MOTOR, 6.86 DIA |
| FAN04460 | 1 | 1 | FAN; 2 SWEEP BLADES, 27.5" DIA, 25.2 DEG PITCH, 0.50" BORE, CCW, ALUMINUM, 1 SET SCREW-STEEL, SPIDER 0.075 THK |
| GRD01416 | 2 | 1 | GUARD, TROUGH-LEAD |
| MOT13693 | 3 | 1 | MOTOR; 1/5 HP, 200/230/60/1, 825 RPM, 48 FRAME, PSC, BALL BEARING, CCW, 7.5 MFD CPT AT 370V |
| GRL01348 | 4 | 1 | GRILLE; FAN, 29 IN DIA, SPIRAL WIRE, BASALT GREY |
| SCR02086 | 5 | 4 | SCREW; 10-32 TR-3 HXW 3/8 S |
| CAP00913 | 6 | 8 | CAP; RETAINER |
| SCR01976 | 7 | 8 | SCREW; NUMBER 10 X 3/4 NO SLOT HWH T/S STEEL ZY .0002 THK BAKE TY AB GROUNDING EYELET |

CONTROLS

75008926

REV
A

Typical Illustration. Unit may not appear exactly as shown.



Parts List Number :75005591#4A6H5UP5

Model Number :4A6H5036G1000AB

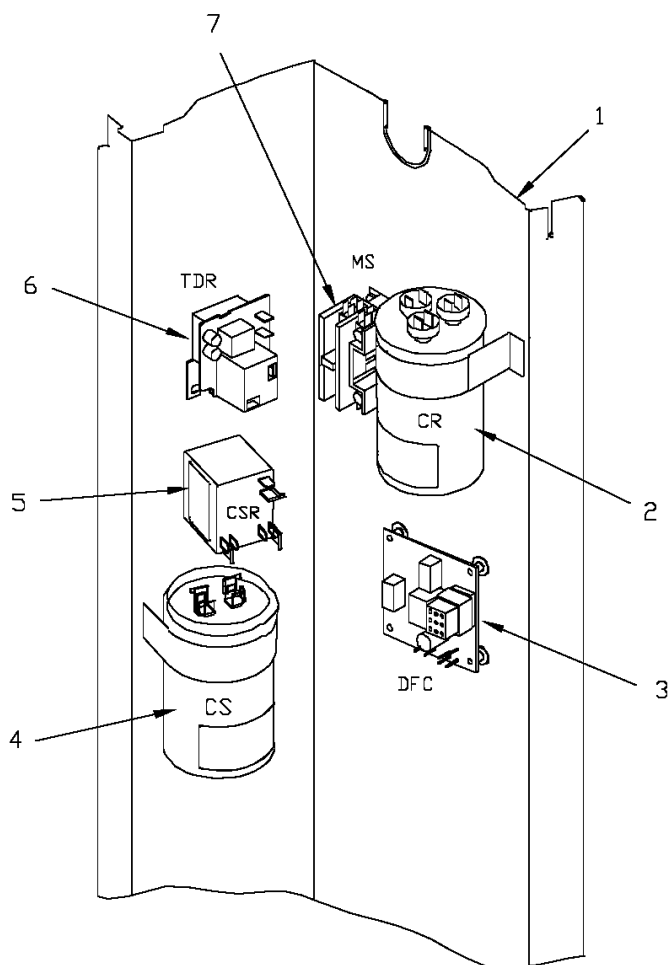
| Part No. | Reference No. | Quantity | Description |
|----------------------------|---------------|----------|---------------------|
| 75008926_4A6H5UP5_328338~P | * | | CONTROLS PARTS LIST |

CONTROLS

75008926

REV
A

Typical Illustration. Unit may not appear exactly as shown.



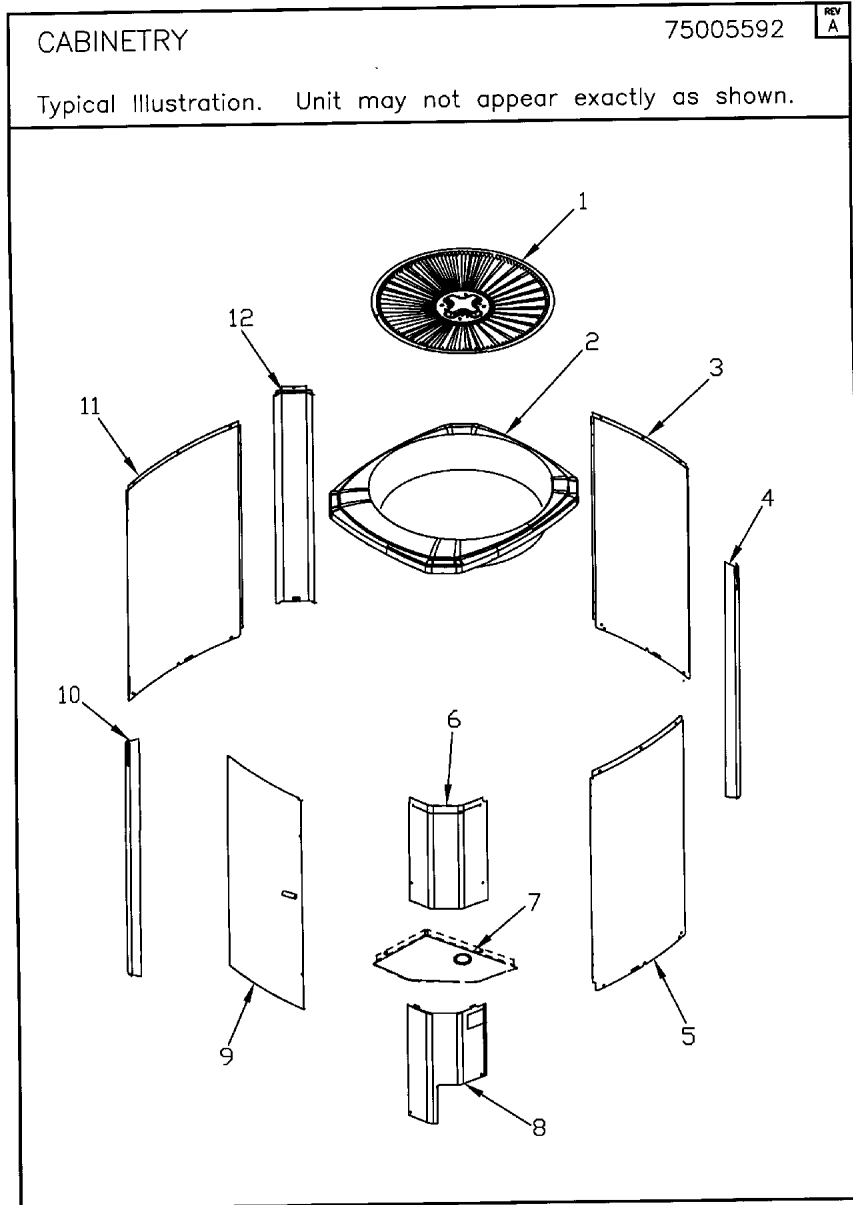
| Part No. | Reference No. | Quantity | Description |
|----------|---------------|----------|--|
| CLP01039 | * | 1 | CLIP; STRAIN RELIEF |
| CON00241 | * | 3 | CONNECTOR; WIRE |
| RES00118 | * | 2 | RESISTOR; THERMISTOR , 260 OHMS AT 75 DEGREE F |
| SEN01540 | * | 1 | SENSOR; ASSEMBLY-AMBIENT (ODS-B) |
| SEN01729 | * | 1 | SENSOR; ASSEMBLY, 9.75K OHMS RESISTANCE AT 75 DEG F, YELLOW LEADS |
| SHD00386 | * | 1 | SHIELD; MOISTURE, 12.75 X 5.00 |
| SHD00387 | * | 1 | SHIELD; MOISTURE, 10.25 X 4.00 |
| THT02242 | * | 1 | THERMOSTAT, TERMINATOR, 240V, SPST, OPEN @ 105 DEGREE F, CLOSE @ 73 DEGREE F |
| WIR04847 | * | 1 | WIRE; HARNESS-CONTROL PANEL |
| PNL13027 | 1 | 1 | PANEL; CONTROL PANEL BASE, 31.14 HEIGHT |
| CPT01248 | 2 | 1 | CAPACITOR; DUAL, 35/7.5 MFD, 440V, ROUND, W/O RESISTOR |
| CNT05875 | 3 | 1 | CONTROL; DEFROST |
| CPT02329 | 4 | 1 | CAPACITOR; START, 229 +/- 5 MFD, 330V, ROUND, W/ RESISTOR |
| RLY03211 | 5 | 1 | RELAY; START, 50A COIL, 332 CONTINUOUS COIL RATING, 60HZ, 220-240V HOT PICK UP, 204-233 PICK UP, 40-90V DROP OUT, 5600 COIL RESISTANCE OHM |
| RLY03167 | 6 | 1 | RELAY-TIME DELAY |
| CTR00845 | 7 | 1 | CONTACTOR; 30 AMP, 240/480/600V, 24V COIL, 1 POLE |



Parts List Number :75005591#4A6H5UP5

Model Number :4A6H5036G1000AB

| Part No. | Reference No. | Quantity | Description |
|----------------------------|---------------|----------|---------------------|
| 75005592_4A6H5UP5_315308~P | * | | CABINETY PARTS LIST |



| Part No. | Reference No. | Quantity | Description |
|----------|---------------|----------|--|
| BAS01834 | * | 1 | BASE; 41.78 X 41.81 DIAGONALLY |
| PAI00207 | * | 1 | PAINT; SPINNAKER GRAY (SHIPPING UOM 12 OZ HAZ) SPRAY CAN |
| PAI00248 | * | 1 | PAINT; 12 OZ SPRAY, ANTHRACITE GRAY (SHIPPING UOM 12 OZ HAZ) |
| SCR02010 | * | 19 | SCREW; 12-18 AB HXW 1/2 SN |
| GRL01348 | 1 | 1 | GRILLE; FAN, 29 IN DIA, SPIRAL WIRE, BASALT GREY |
| COV04462 | 2 | 1 | COVER; TOP |
| PNL13161 | 3 | 1 | PANEL; WRAPPER, 23.22 X 29.33 |
| PNL26267 | 4 | 1 | PANEL; CORNER POST, 3.5 x 29.3 INCHES |
| PNL13161 | 5 | 1 | PANEL; WRAPPER, 23.22 X 29.33 |
| COV04037 | 6 | 1 | COVER; CONTROLS, 11 x 18 INCHES |
| COV03228 | 7 | 1 | COVER, CONTROL BOTTOM |
| COV04040 | 8 | 1 | COVER; VALVE, 11.32 x11.4 INCHES |
| PNL13444 | 9 | 1 | PANEL; ACCESS, 19.88 X 28.65 |
| PNL26267 | 10 | 1 | PANEL; CORNER POST, 3.5 x 29.3 INCHES |
| PNL13443 | 11 | 1 | PANEL; WRAPPER, 27.12 X 29.33 |
| PNL26267 | 12 | 1 | PANEL; CORNER POST, 3.5 x 29.3 INCHES |

MODEL NUMBER DESCRIPTION

75005587

REL
C

OUTDOOR UNITS

Example Model Number:

4 A 7 A 0 0 3 6 A 1 0 0 0 A A
1 - - - 5 - - - 10 - - - 15

Digit 1 – Refrigerant Type

- 2 = R-22
- 4 = R-410A

Digit 2 – American Standard

Digit 3 – Product Type

- 6,W = Split Heat Pump
- 7,T = Split Cooling

Digit 4 – Product Family

- V = Variable Speed
- Z = Leadership - Two Stage
- X = Leadership
- R = Replacement/Retail
- M or B = Basic
- A = Light Commercial
- L = Side Discharge

Digit 5 – Family SEER

- 3 = 13 7 = 17
- 4 = 14 8 = 18
- 5 = 15 9 = 19
- 6 = 16 0 = 20

Digits 6 – Split System Connections 1-6 Tons

- 0 = Brazed

Digits 7,8 – Nominal Capacity in 000s BTUs

Digit 9 – Major Design Modifications

Digit 10 – Power Supply

- 1 = 200-230/1/60 or 208-230/1/60
- 3 = 200-230/3/60
- 4 = 460/3/60

Digit 11,12,13 – Secondary Function

Digit 14 – Minor Design Modifications

Digit 15 – Unit Parts Identifier

| Part No. | Reference No. | Quantity | Description |
|----------------------------|---------------|----------|-------------------------------|
| 75005587_4A6H5UP5_277790~P | * | | MODEL NOMENCLATURE PARTS LIST |

MODEL NUMBER DESCRIPTION

75005587

REL
C

OUTDOOR UNITS

Example Model Number:

4 A 7 A 0 0 3 6 A 1 0 0 0 A A
1 - - - 5 - - - 10 - - - 15

Digit 1 – Refrigerant Type

2 = R-22
4 = R-410A

Digit 2 – American Standard

Digit 3 – Product Type

6,W = Split Heat Pump
7,T = Split Cooling

Digit 4 – Product Family

V = Variable Speed
Z = Leadership - Two Stage
X = Leadership
R = Replacement/Retail
M or B = Basic
A = Light Commercial
L = Side Discharge

Digit 5 – Family SEER

3 = 13 7 = 17
4 = 14 8 = 18
5 = 15 9 = 19
6 = 16 0 = 20

Digits 6 – Split System Connections 1-6 Tons

0 = Brazed

Digits 7,8 – Nominal Capacity in 000s BTUs

Digit 9 – Major Design Modifications

Digit 10 – Power Supply

1 = 200-230/1/60 or 208-230/1/60
3 = 200-230/3/60
4 = 460/3/60

Digit 11,12,13 – Secondary Function

Digit 14 – Minor Design Modifications

Digit 15 – Unit Parts Identifier

Parts List Number :75005591#4A6H5UP5

Model Number :4A6H5036G1000AB

| Part No. | Reference No. | Quantity | Description |
|---------------------------|---------------|----------|---|
| OPTIONS_4A6H5UP5_315312~P | * | | OPTIONAL FIELD INSTALLED ACCESSORIES PARTS LIST |

NO GRAPHIC AVAILABLE

75013702

REV
A

**NO
GRAPHIC
AVAILABLE**

Parts List Number :75005591#4A6H5UP5

Model Number :4A6H5036G1000AB

| Part No. | Reference No. | Quantity | Description |
|----------|---------------|----------|--|
| KIT02134 | * | 1 | KIT-LOW TEMPERATURE COOLING (AY28X084) |
| KIT05354 | * | 1 | KIT; TIME DELAY (TAYASCT501A) - 5 MINUTE RELAY ONLY IS RLY01343 |
| KIT07731 | * | 1 | KIT; SNOW LEGS, CONTAINS (4) 6" MOUNTING LEGS (BAYLEGS002) |
| KIT07732 | * | 1 | KIT; SNOW LEGS, (4" EXTENSION KIT) (BAYLEGS003) |
| KIT08036 | * | 1 | KIT; SEA COAST (BAYSEAC001) |
| KIT08087 | * | 1 | KIT; HEAD PRESSURE (BAYLOAM103) |
| KIT09425 | * | 1 | KIT; ISOLATOR (BAYISLT101) (CONTAINS A QTY OF 5 ISOLATORS) |
| KIT15190 | * | 1 | KIT; EXTREME MOUNTING CONDITION (BAYECMT004). |
| PAI00309 | * | 1 | PAINT; DARK BROWN, 12 OZ SPRAY CAN, HERESITE AIR DRY PHENOLIC COATING, VR-554T |