

| <b>Part No.</b> | <b>Reference No.</b> | <b>Quantity</b> | <b>Description</b>       |
|-----------------|----------------------|-----------------|--------------------------|
| 0000162201~S    | *                    |                 | CABINET                  |
| 0000162202~S    | *                    |                 | COMPRESSOR MTG           |
| 0000172426~S    | *                    |                 | COMPRESSOR               |
| 0000162203~S    | *                    |                 | CONTROLS                 |
| 0000162200~S    | *                    |                 | FAN                      |
| 0000092880~S    | *                    |                 | GENERAL ASSEMBLY         |
| 0000162226~S    | *                    |                 | MODEL NUMBER DESCRIPTION |
| 0000162225~S    | *                    |                 | OPTIONAL ACCESSORIES     |
| 0000162224~S    | *                    |                 | REFRIGERATION            |

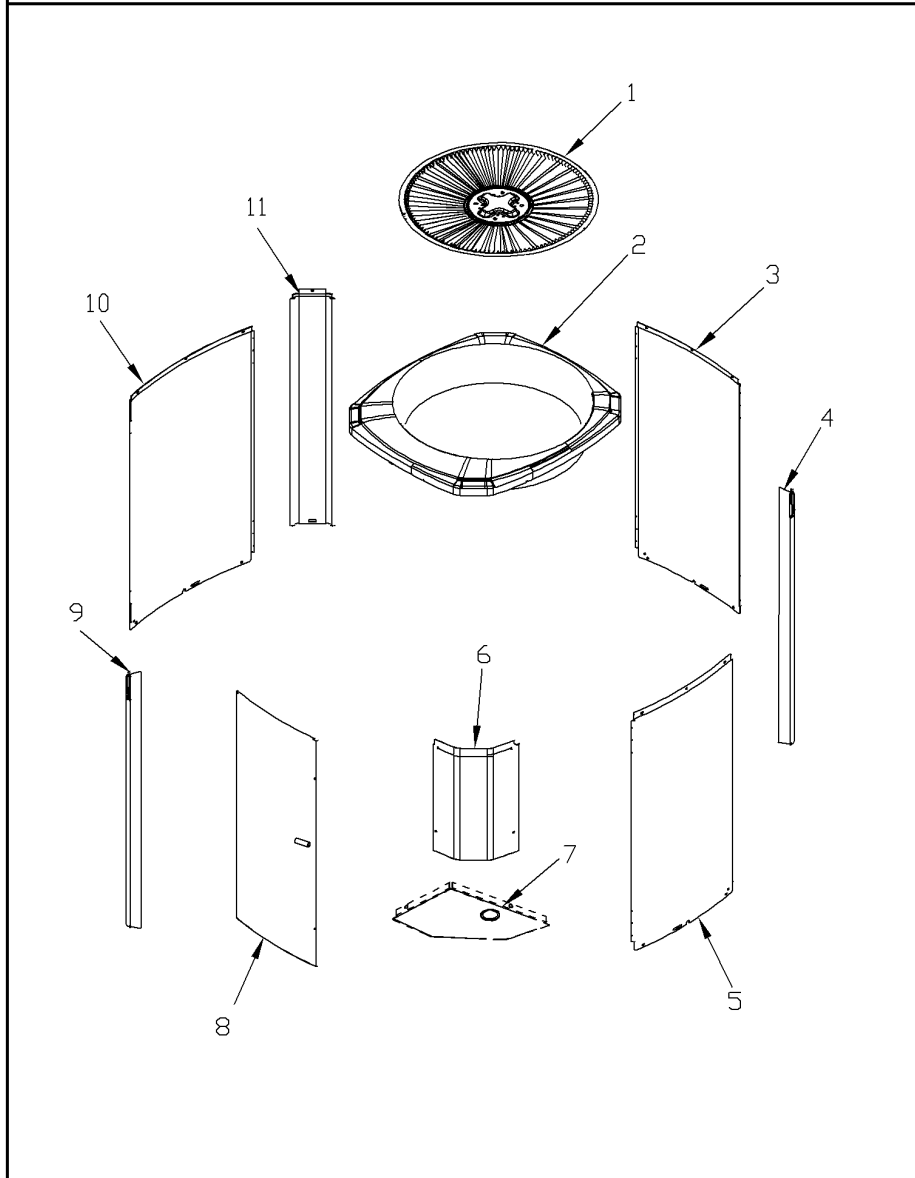
| Part No.     | Reference No. | Quantity | Description        |
|--------------|---------------|----------|--------------------|
| 0000032875~P | *             |          | CABINET PARTS LIST |

CABINETRY

75006805

REV  
A

Typical Illustration. Unit may not appear exactly as shown.



| Part No. | Reference No. | Quantity | Description   |
|----------|---------------|----------|---|
| BAS01833 | *             | 1        | BASE; 36.26 X 36.41 DIAGONALLY                                    |
| PAI00074 | *             | 0        | PAINT; SPRAY, SLATE GREY, FULL GLOSS(88) (SHIPPING UOM 12 OZ HAZ) |
| PAI00207 | *             | 0        | PAINT; SPINNAKER GRAY (SHIPPING UOM 12 OZ HAZ) SPRAY CAN          |
| SCR02010 | *             | 14       | SCREW; 12-18 AB HXW 1/2 SN  |
| SCR02054 | *             | 14       | SCREW; 12-18 AB HXW 1/2 SN  |
| COV04036 | 2             | 1        | COVER; TOP, 29.40 X 32.36, SPINNAKER GRAY                         |
| PNL13161 | 3             | 1        | PANEL; WRAPPER, 23.22 X 29.33                                     |
| COV04037 | 6             | 1        | COVER; CONTROLS, 11 x 18 INCHES                                   |
| COV03228 | 7             | 1        | COVER, CONTROL BOTTOM   |
| PNL13163 | 8             | 1        | PANEL; ACCESS, 15.72 X 28.65                                      |
| PNL13162 | 10            | 2        | PANEL; WRAPPER, 19.55 X 29.33                                     |
| PNL26267 | 11            | 3        | PANEL; CORNER POST, 3.5 x 29.3 INCHES                             |

COMPRESSOR

Parts List Number :0000162217

Model Number :4A6H5024N1000AA

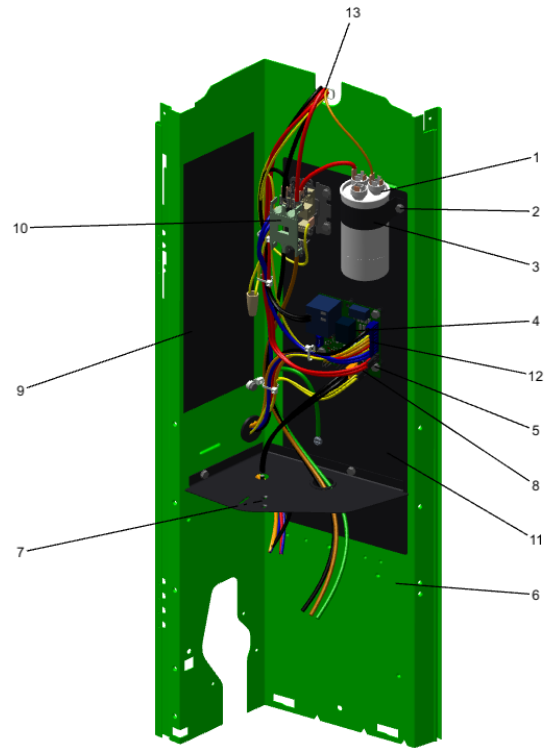
| Part No.     | Reference No. | Quantity | Description       |
|--------------|---------------|----------|-------------------|
| 0000037267~P | *             |          | SCROLL COMPRESSOR |

| Part No. | Reference No. | Quantity | Description               |
|----------|---------------|----------|---------------------------|
| COM13740 | *             | 1        | COMPRESSOR; SCROLL, ALLIA |

| Part No.     | Reference No. | Quantity | Description    |
|--------------|---------------|----------|----------------|
| 0000032889~P | *             |          | COMPRESSOR MTG |

| <b>Part No.</b> | <b>Reference No.</b> | <b>Quantity</b> | <b>Description</b>   |
|-----------------|----------------------|-----------------|--|
| ISR00007        | *                    | 4               | ISOLATOR; VIBRATION  |
| KIT08039        | *                    | 4               | KIT; GROMMETS. COMPRESSOR MOUNTING. (CONSISTS OF 4),<br>0.44 ID X 1.63 OD NEOPRENE RUBBER-BLACK 45-55<br>DUROMETER |
| SCR01914        | *                    | 4               | SCREW, ASSEMBLY COMPRESSOR, 5/16-12 TYPE B, W/WASHER<br>& SLEEVE   |

| Part No.     | Reference No. | Quantity | Description         |
|--------------|---------------|----------|---------------------|
| 0000032892~P | *             |          | CONTROLS PARTS LIST |



| Part No. | Reference No. | Quantity | Description   |
|----------|---------------|----------|---|
| CNT08177 | *             | 1        | CONTROL; DEFROST  |
| PAI00246 | *             | 0        | PAINT; SPRAY, TARPAULIN GRAY (SHIPPING UOM 12 OZ HAZ)                                       |
| PNL13027 | *             | 1        | PANEL; CONTROL PANEL BASE, 31.14 HEIGHT   |
| SCR01918 | *             | 7        | SCREW, 10-24 THREAD ROLL, INDENT HEX WASHER HD  |
| SCR01924 | *             | 3        | SCREW; 6-32 X .75, THREAD ROLLING SCREWS-ZINC PLATED, HEX WASHER                            |
| SEN02353 | *             | 1        | SENSOR; ASSEMBLY, AMBIENT, 10 IN WIRE LENGTH, -40C TO 105C OP TEMP RANGE, 14 IN WIRE LENGTH |
| SEN02908 | *             | 1        | SENSOR; COIL, 5/16 CLIP, YELLOW WIRES, 43 IN LENGTH   |
| SRP00269 | *             | 1        | STRAP; CAPACITOR  |
| WIR03324 | *             | 1        | WIRE, PLUG-SCROLL COMPRESSOR  |
| WIR07598 | *             | 1        | WIRE; HARNESS, 9 PIN TO J4 ON DFC   |
| CPT00977 | 1             | 1        | CAPACITOR; DUAL, 35/5 MFD, 440V, ROUND, W/O RESISTOR  |
| SHD00387 | 9             | 1        | SHIELD; MOISTURE, 10.25 X 4.00  |
| CTR00845 | 10            | 1        | CONTACTOR; 30 AMP, 240/480/600V, 24V COIL, 1 POLE   |
| SHD00386 | 11            | 1        | SHIELD; MOISTURE, 12.75 X 5.00  |

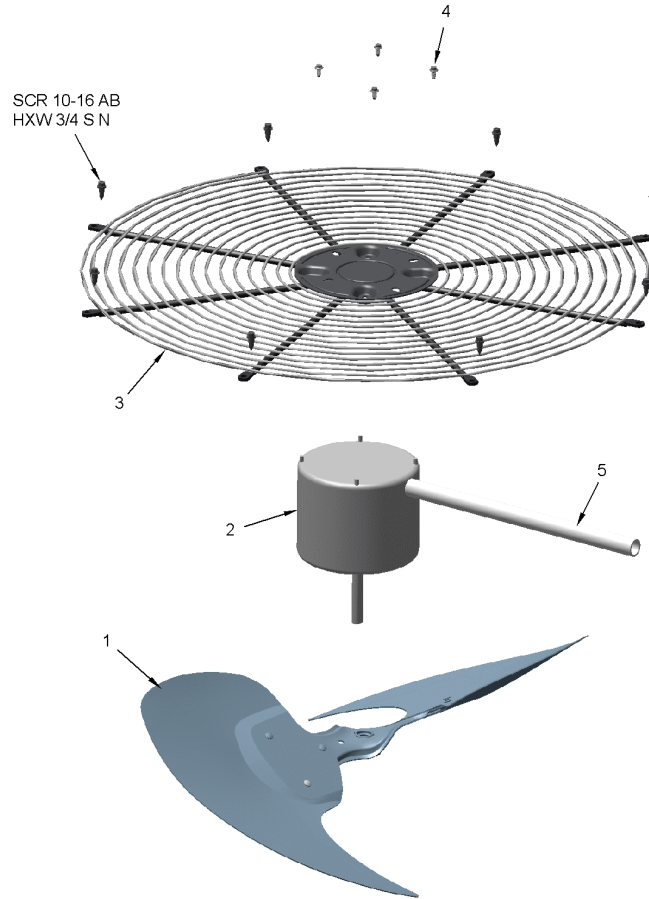
| Part No.     | Reference No. | Quantity | Description    |
|--------------|---------------|----------|----------------|
| 0000032871~P | *             |          | FAN PARTS LIST |

FAN

75010673

REV  
A

TYPICAL ILLUSTRATION



| <b>Part No.</b> | <b>Reference No.</b> | <b>Quantity</b> | <b>Description</b>          |
|-----------------|----------------------|-----------------|-----------------------------|
| FAN06683        | 1                    | 1               | FAN; TR3R28-2               |
| MOT16968        | 2                    | 1               | MOTOR; 1/8 HP               |
| SCR02086        | 4                    | 4               | SCREW; 10-32 TR-3 HXW 3/8 S |
| GRD01415        | 5                    | 1               | GUARD, TROUGH-LEAD          |

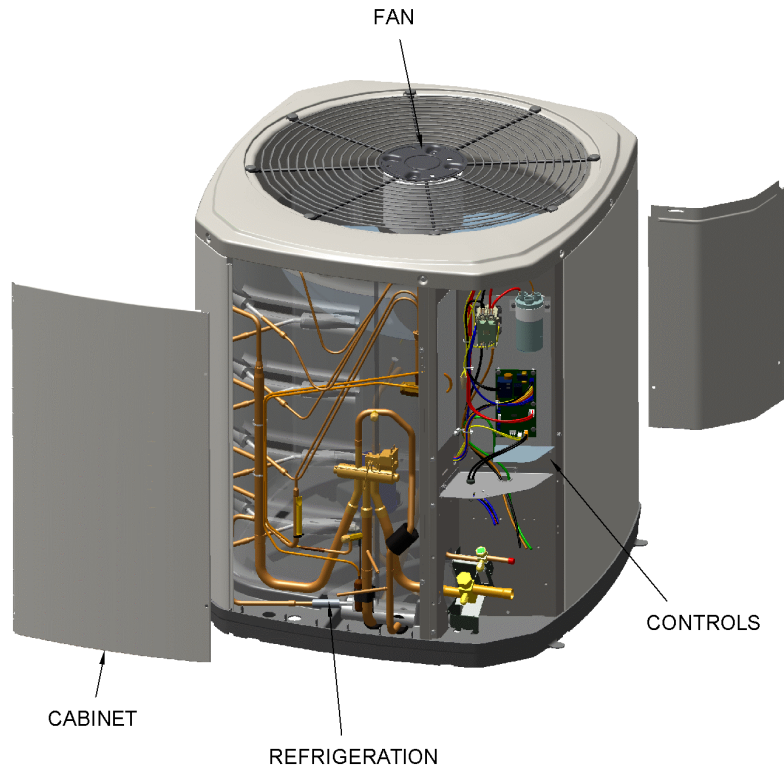
| Part No.    | Reference No. | Quantity | Description              |
|-------------|---------------|----------|--------------------------|
| 000006255~P | *             |          | GENERAL ASSEMBLY GRAPHIC |

SPLIT SYSTEM HEAT PUMP

75010795

REV.  
A

TYPICAL ILLUSTRATION



| Part No.     | Reference No. | Quantity | Description              |
|--------------|---------------|----------|--------------------------|
| 0000026112~P | *             |          | MODEL NUMBER DESCRIPTION |

MODEL NUMBER DESCRIPTION

75005587

REL  
C

OUTDOOR UNITS

*Example Model Number:*

**4 A 7 A 0 0 3 6 A 1 0 0 0 A A**  
1 - - - 5 - - - 10 - - - 15

**Digit 1 – Refrigerant Type**

2 = R-22  
4 = R-410A

**Digit 2 – American Standard**

**Digit 3 – Product Type**

6,W = Split Heat Pump  
7,T = Split Cooling

**Digit 4 – Product Family**

V = Variable Speed  
Z = Leadership - Two Stage  
X = Leadership  
R = Replacement/Retail  
M or B = Basic  
A = Light Commercial  
L = Side Discharge

**Digit 5 – Family SEER**

3 = 13      7 = 17  
4 = 14      8 = 18  
5 = 15      9 = 19  
6 = 16      0 = 20

**Digits 6 – Split System Connections 1-6 Tons**

0 = Brazed

**Digits 7,8 – Nominal Capacity in 000s BTUs**

**Digit 9 – Major Design Modifications**

**Digit 10 – Power Supply**

1 = 200-230/1/60 or 208-230/1/60  
3 = 200-230/3/60  
4 = 460/3/60

**Digit 11,12,13 – Secondary Function**

**Digit 14 – Minor Design Modifications**

**Digit 15 – Unit Parts Identifier**

| Part No.    | Reference No. | Quantity | Description               |
|-------------|---------------|----------|---------------------------|
| 000006293~P | *             |          | OPTIONAL ACCESSORIES LIST |

| Part No.       | Reference No. | Quantity | Description  |
|----------------|---------------|----------|--|
| AAYSVPANL3343A | *             | 1        | SERVICE VALVE PANEL ACCSY KIT  |
| AY28X084       | *             | 1        | KIT; LOW TEMPERATURE COOLING (AY28X084)  |
| BAYAWGR0003    | *             | 1        | KIT; ALL WEATHER TOP (FITS BASE SIZES 33W X 30D)   |
| BAYCCHT302RES  | *             | 1        | KIT; CRANKCASE HEATER FOR SCROLLS, 40W, 230V (BAYCCHT302RES), 5.5 DIA, 74 IN LENGTH  |
| BAYECMT023     | *             | 1        | KIT; EXTREME MOUNTING CONDITION (BAYECMT023)   |
| BAYISLT101     | *             | 1        | KIT; ISOLATOR (BAYISLT101) (CONTAINS A QTY OF 5 ISOLATORS)   |
| BAYSKT263      | *             | 1        | KIT; COMPRESSOR START KIT  |
| BAYLEGS004     | *             | 1        | KIT; SNOW LEGS, CONTAINS (4) 4" MOUNTING LEGS  |
| BAYLEGS007     | *             | 1        | KIT; SNOW LEGS, CONTAINS (4) 7" MOUNTING LEGS  |
| BAYLOAM107     | *             | 1        | LOW AMBIENT KIT  |
| BAYSDEN003     | *             | 1        | KIT; SOUND ENCLOSURE, (BAYSDEN003), (MODELS WITH SMALL FRAME (QUANTUM) SCROLL COMPRESSORS NO LARGER THAN 16.4" TALL OR 6.6" IN DIAMETER EXCEPT IN CABI |
| BAYSEAC001     | *             | 1        | KIT; SEA COAST (BAYSEAC001)  |
| PAI00309       | *             | 1        | PAINT; DARK BROWN, 12 OZ SPRAY CAN, HERESITE AIR DRY PHENOLIC COATING, VR-554T   |
| TAYASCT501A    | *             | 1        | KIT; TIME DELAY (TAYASCT501A) - 5 MINUTE RELAY ONLY IS RLY01343  |

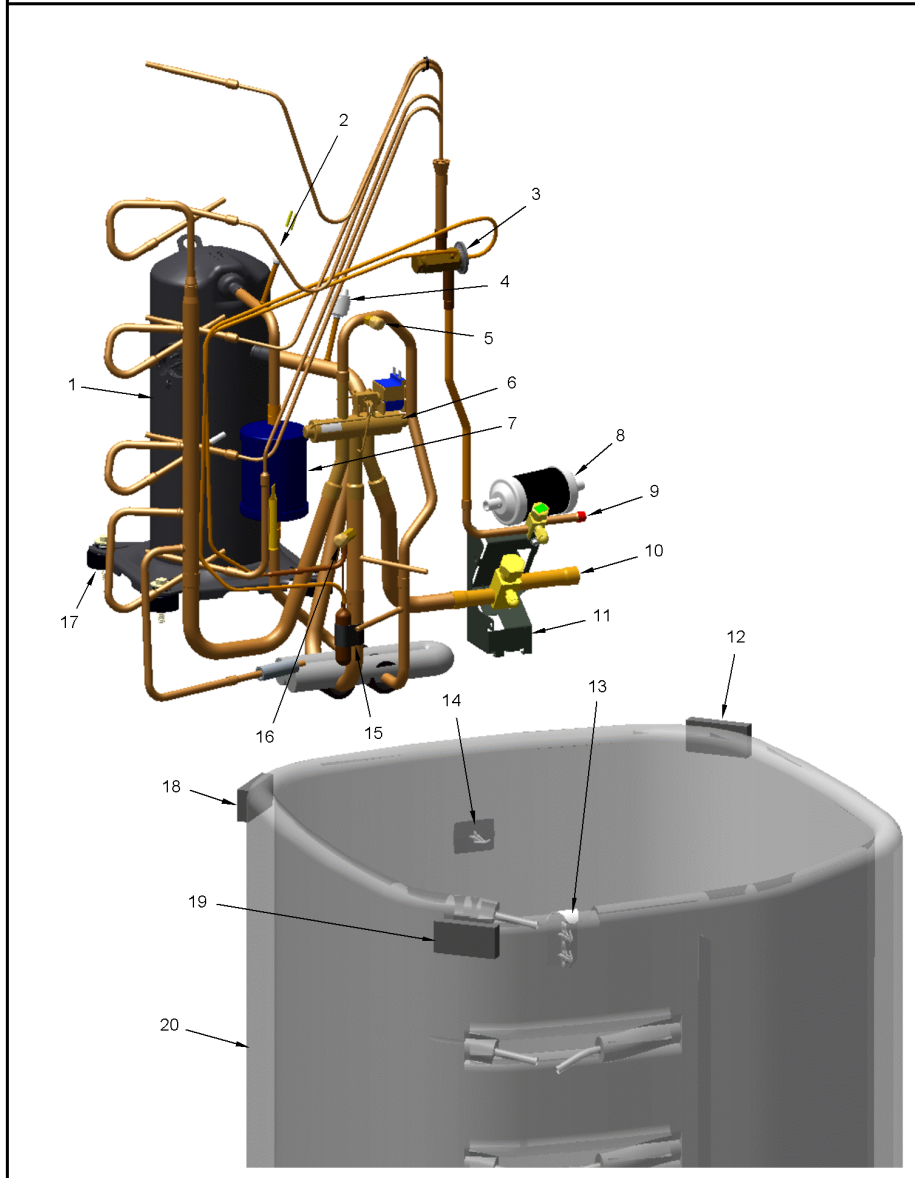
| Part No.     | Reference No. | Quantity | Description              |
|--------------|---------------|----------|--------------------------|
| 0000032938~P | *             |          | REFRIGERATION PARTS LIST |

REFRIGERATION

75010794

REV  
A

TYPICAL ILLUSTRATION



| Part No. | Reference No. | Quantity | Description  |
|----------|---------------|----------|--|
| CAP00455 | *             | 2        | CAP; HUB, 7/16-20 STRAIGHT   |
| CLP00233 | *             | 1        | CLIP; HOLDING  |
| PAI00246 | *             | 0        | PAINT; SPRAY, TARPAULIN GRAY (SHIPPING UOM 12 OZ HAZ)  |
| PLU00417 | *             | 0        | PLUG; TUBE   |
| SCR02010 | *             | 4        | SCREW; 12-18 AB HXW 1/2 SN   |
| SCR02054 | *             | 4        | SCREW; 12-18 AB HXW 1/2 SN   |
| SLV00082 | *             | 0        | SLEEVE;  |
| SLV00083 | *             | 0        | SLEEVE;  |
| TER00312 | *             | 0        | TERMINAL; 8IN. TIE CABLE   |
| TIE00007 | *             | 0        | TIE;CABLE  |
| TIE00023 | *             | 7        | TIE;CABLE, 8.00IN.   |
| TUB02810 | *             | 10       | TUBE; TRANSITION   |
| TUB11547 | *             | 10       | TUBE; TRANSITION ASSEMBLY  |
| TUB15481 | *             | 1        | TUBE; TU ASM-SUCTION BZ  |
| TUB15482 | *             | 1        | TUBE; TU ASM-DISCHARGE BZ  |
| TUB15937 | *             | 1        | TUBE; TU ASM-VLV   |
| SWT03274 | 2             | 1        | SWITCH, HIGH PRESSURE, SPST, OPEN @ 650 PSIG, CLOSE @ 500 PSIG, 75° YELLOW LEAD                          |
| VAL19486 | 3             | 1        | VALVE; TEV HXCE 1 ZX200  |
| SWT04657 | 4             | 1        | SWITCH; LOW PRESSURE BZ  |
| VAL08991 | 6             | 1        | VALVE; SWITCHOVER, 3 TON, .50 IDF X .75 OD, W/ 24V SOLENOID COIL   |
| MFL00806 | 7             | 1        | MUFFLER; 1/2 ODF CONNECTION (DRIER COULD BE PAINTED EITHER SMOKE GRAY OR NAVY BLUE)                      |
| VAL20681 | 9             | 1        | VALVE-SER LIQ O(06-06)   |
| CAP01315 | 9a            | 1        | CAP; SERVICE LIQUID VALVE, BRASS, 1.06 OD X 0.81 ID X 15/16-20UNEF-2B                                    |
| VAL20399 | 10            | 1        | VALVE; SERVICE GAS ASSEMBLY, 0.75 ODS X 0.75 ODS, FEMALE BRAZE TO FEMALE BRAZE, LEFT HAND MOUNTING HOLES |
| CAP01336 | 10a           | 1        | CAP; SERVICE LIQUID VALVE, BRASS, 0.75 OD X 0.57 ID X 11/16-28UN-2B                                      |
| BRK03020 | 11            | 1        | BRACKET; VALVE   |
| CLP00223 | 15            | 1        | CLIP; BULB   |
| COR00103 | 16            | 1        | CORE; VALVE, .79 LENGTH, .206-36 UNS-1 MOD. THD  |
| COL28895 | 20            | 0        | COIL ASM-REPL  |