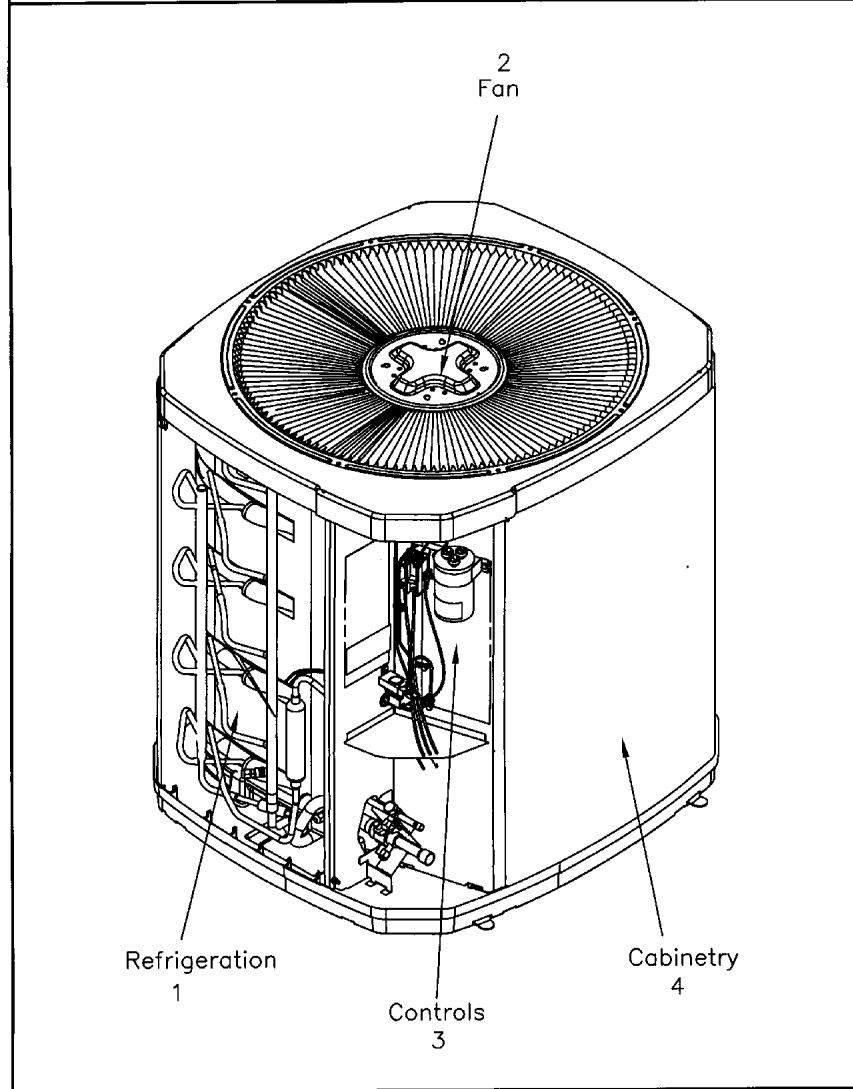


GENERAL ASSEMBLY

75005591

REV  
A

Typical Illustration. Unit may not appear exactly as shown.



<b>Part No.</b>	<b>Reference No.</b>	<b>Quantity</b>	<b>Description</b>
75005592#4A6H5UP5~S	*		CABINTRY
75008926#4A6H5UP5~S	*		CONTROLS
75005593#4A6H5UP5~S	*		FAN
75005591_4A6H5UP5_277789~P	*		GENERAL ASSEMBLY PARTS LIST
75005587#4A6H5UP5~S	*		MODEL NOMENCLATURE
OPTIONS#4A6H5UP5~S	*		OPTIONAL FIELD INSTALLED ACCESSORIES
75009818#4A6H5UP5~S	*		REFRIGERATION

GENERAL ASSEMBLY

75005591

REV  
A

Typical Illustration. Unit may not appear exactly as shown.

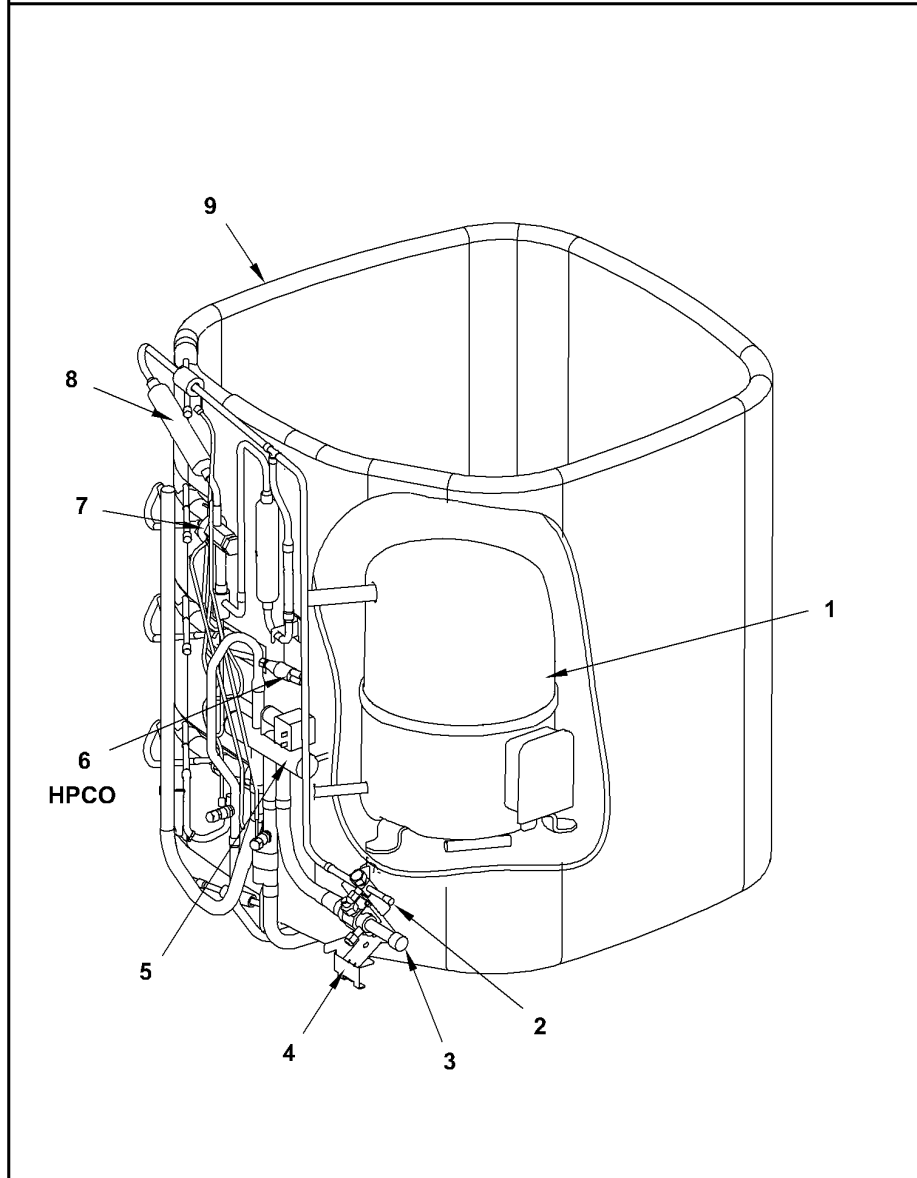


REFRIGERATION

75009818

REV  
A

Typical Illustration. Unit may not appear exactly as shown.



Parts List Number :75005591#4A6H5UP5

Model Number :4A6H5018G1000AB

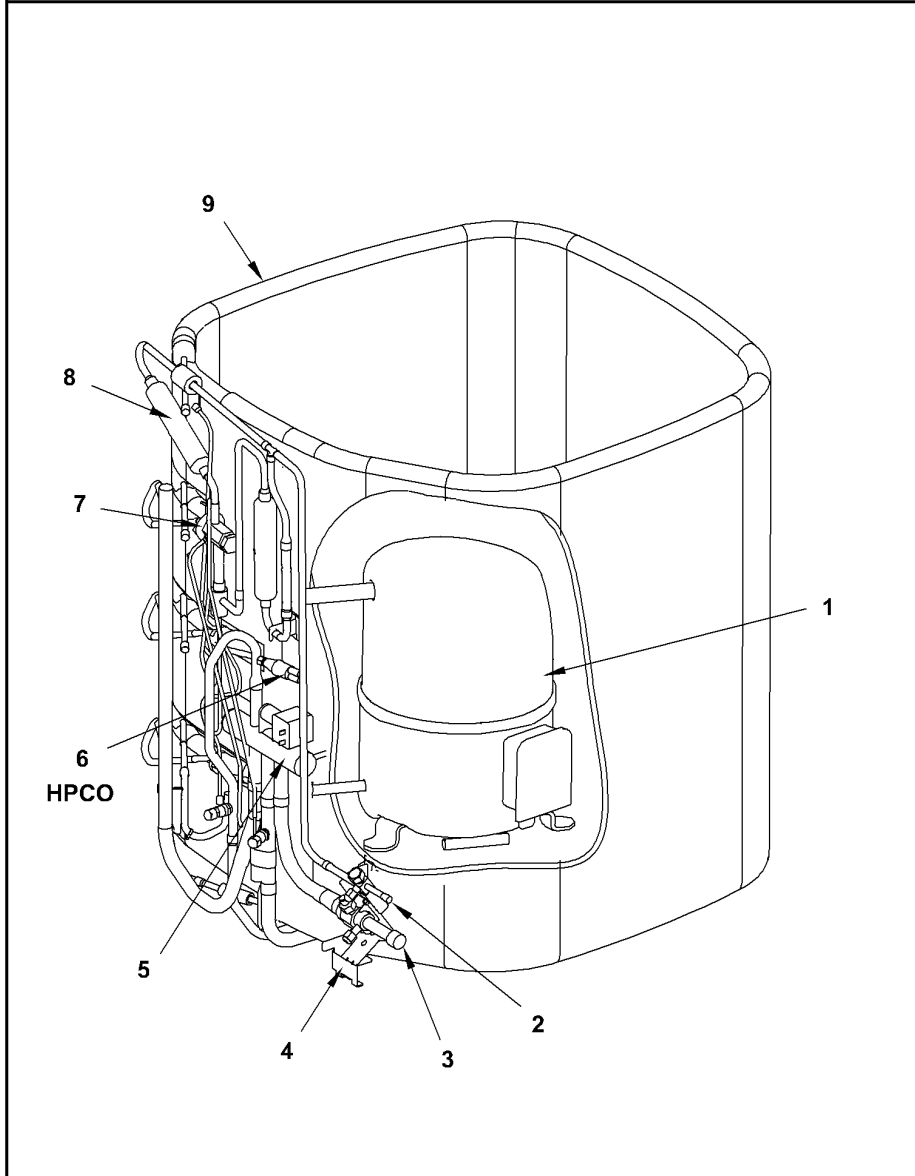
Part No.	Reference No.	Quantity	Description
75009818_4A6H5UP5_277794~P	*		REFRIGERATION PARTS LIST

REFRIGERATION

75009818

REV  
A

Typical Illustration. Unit may not appear exactly as shown.



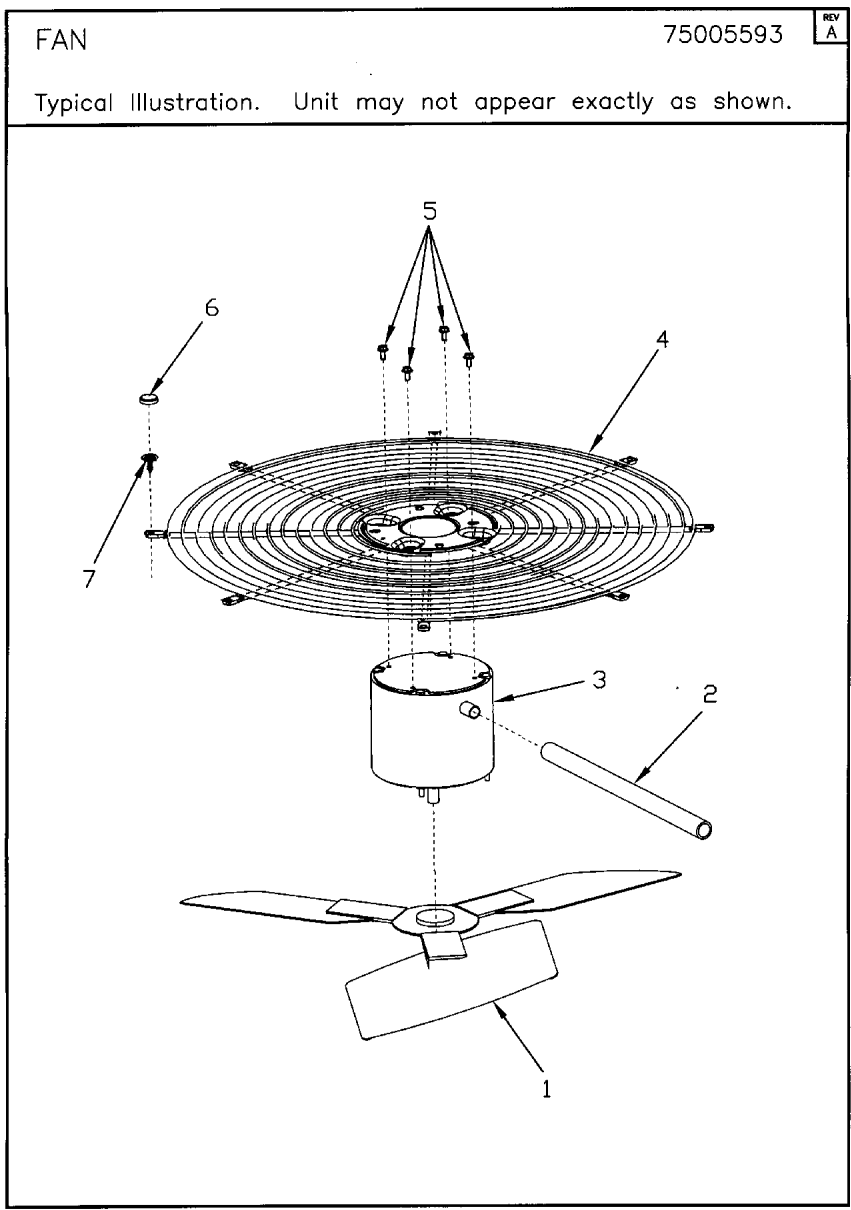
Part No.	Reference No.	Quantity	Description
ATT00450	*	1	ATTENUATOR; NOISE ENCLOSURE, 10.125 ID
BOD00114	*	3	BODY; VALVE, BRASS, 7/16 HEX, 7/16 -20 UNF-2A
CLP01072	*	1	CLIP; BULB (BLUE), 3/4 OD TUBE
CLP01101	*	1	CLIP; TUBE, BLACK PLASTIC
COL11873	*	1	COIL; SOLENOID-HOLDING, 24V-50/60 HZ, (RMS) (ALCO/EMERSON)
COR00103	*	2	CORE; VALVE, .79 LENGTH, .206-36 UNS-1 MOD. THD
DHY00187	*	1	DRIER; FILTER,SUCTION LINE, C306STHH, 3/4 ODF
HTR04156	*	1	HEATER, SUMP/CRANKCASE, 40 WATTS, 230V
MFL00806	*	1	MUFFLER; 1/2 ODF CONNECTION (DRIER COULD BE PAINTED EITHER SMOKE GRAY OR NAVY BLUE)
MNT00479	*	3	MOUNT; VIBRATION ISOLATOR, COMPRESSOR
SPC00382	*	1	SPACER; ORIFICE
SPC00386	*	1	SPACER; BASE, 5.50 X 1.00 X 0.50
SWT03555	*	1	SWITCH; LOW PRESSURE, OPEN @ 25 PSIG CLOSE @ 45 PSIG
WIR03380	*	1	WIRE; HARNESS-COMPRESSOR
COM09902	1	1	COMPRESSOR; RECIP, DP14A-WW1-LB, 1.4 TON, 208-230/60/1, R410A, BRAZED-STUB TUBE
VAL09302	2	1	VALVE, SERVICE LIQUID, .31 ODF X .38 ODF
VAL09299	3	1	VALVE; SERVICE GAS, 63 ODS X .63 ODS, WITH .25 SAE SERVICE PORT SERVICE
BRK03696	4	1	BRACKET; VALVE
VAL08991	5	1	VALVE; SWITCHOVER, 3 TON, .50 IDF X .75 OD, W/ 24V SOLENOID COIL
SWT03274	6	1	SWITCH, HIGH PRESSURE, SPST, OPEN @ 650 PSIG, CLOSE @ 500 PSIG, 75" YELLOW LEAD
VAL08796	7	1	VALVE; EXPANSION, 0.38 ODS X 0.50 ODS, 3.0 TON-R410A AND POE
DHY01451	8	1	DRIER; BI-FLOW; SERVICE FIRST; 8 CU. IN; DCB083S, 3/8 ODF CONNECTIONS; 2.3 TON CAPACITY; APPROVED FOR MINERAL OIL AND POE OIL REFRIGERANTS; MANUFACTUR
COL16826	9	1	COIL; CONDENSER SPINE-FIN



Parts List Number :75005591#4A6H5UP5

Model Number :4A6H5018G1000AB

Part No.	Reference No.	Quantity	Description
75005593_4A6H5UP5_277792~P	*		FAN PARTS LIST



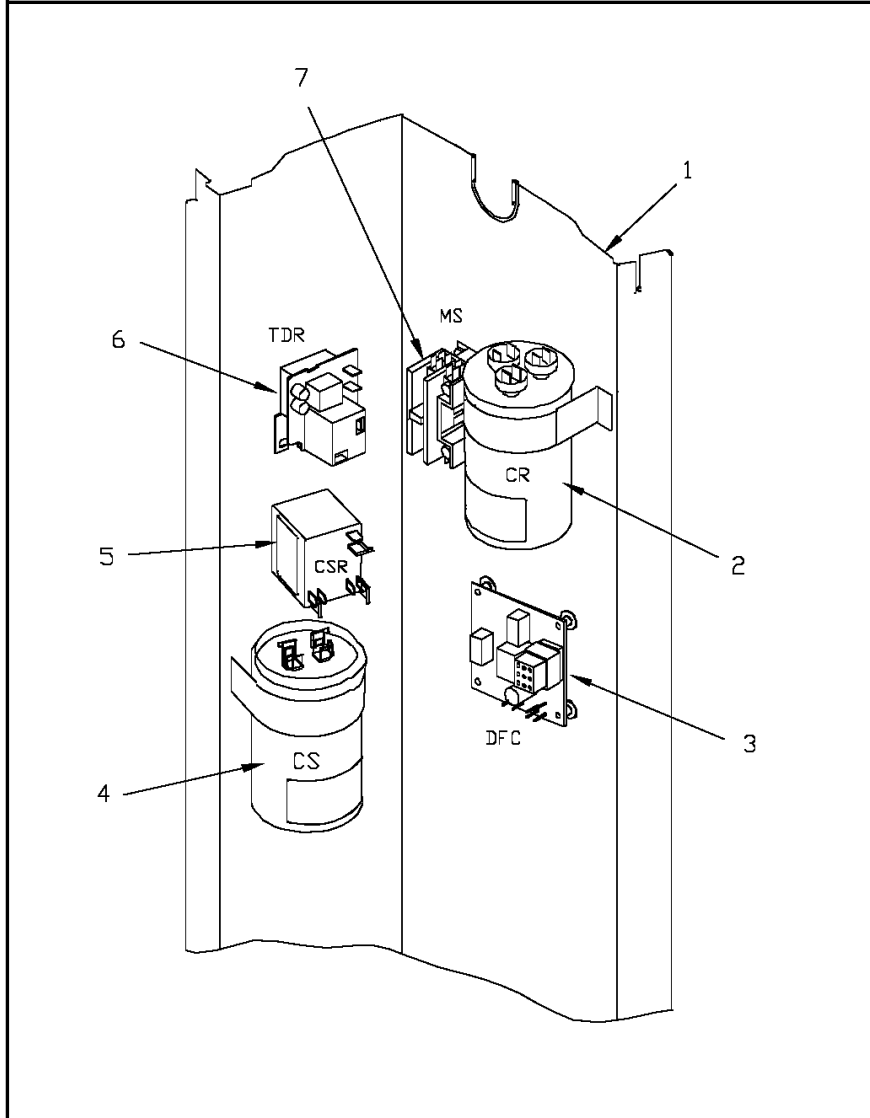
Part No.	Reference No.	Quantity	Description
COV03250	*	1	COVER; MOTOR, 6.86 DIA
FAN03657	1	1	FAN, 2 SWEPT BLADE, 23" DIA, 24.5 DEGREES PITCH, .50" BORE, CCW, ALUMINUM, 1 SET SCREW-STEEL, SPIDER .075 THK, FINISH/PAINT
GRD01415	2	1	GUARD, TROUGH-LEAD
MOT14328	3	1	MOTOR; 1/8 HP, 200/230/60/1, 825 RPM, 48 FRAME, PSC, SLEEVE BEARING, CCW, 5 MFD CPT @ 370V
SCR02086	5	4	SCREW; 10-32 TR-3 HXW 3/8 S
CAP00913	6	8	CAP; RETAINER
SCR01976	7	8	SCREW; NUMBER 10 X 3/4 NO SLOT HWH T/S STEEL ZY .0002 THK BAKE TY AB GROUNDING EYELET

CONTROLS

75008926

REV  
A

Typical Illustration. Unit may not appear exactly as shown.



Parts List Number :75005591#4A6H5UP5

Model Number :4A6H5018G1000AB

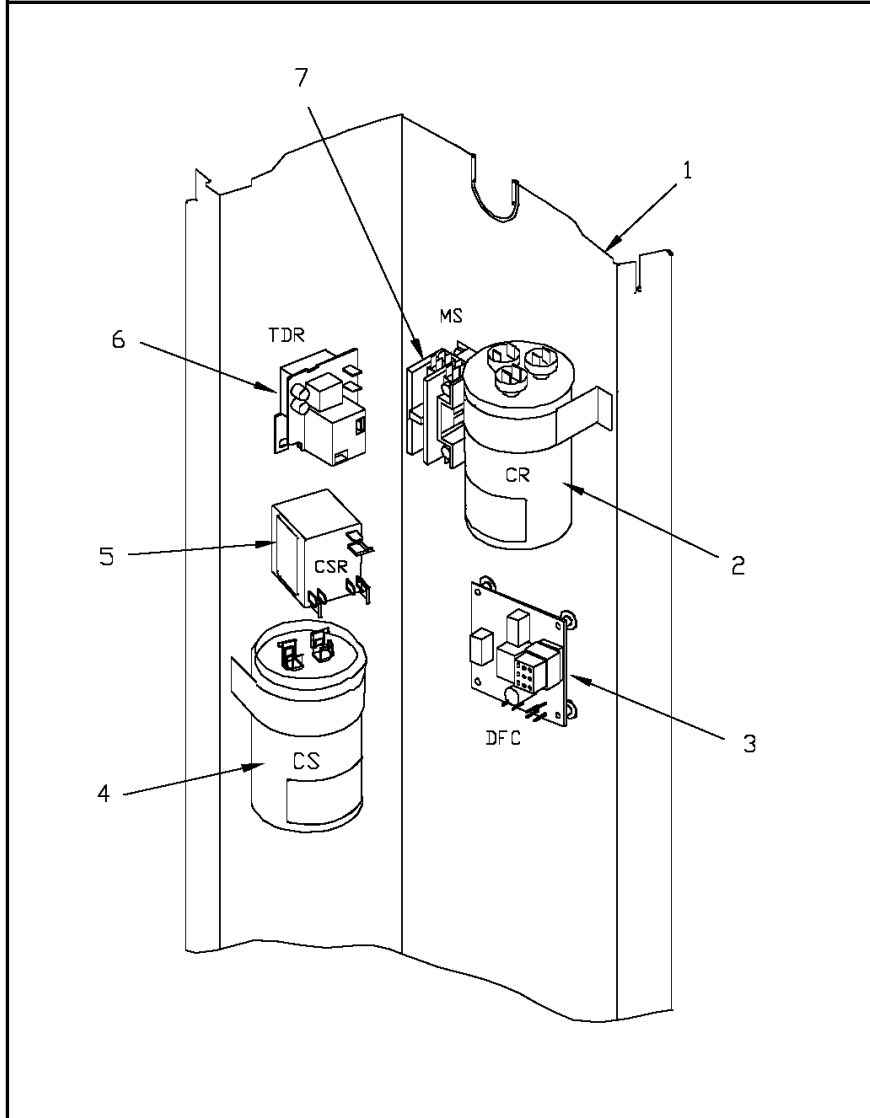
Part No.	Reference No.	Quantity	Description
75008926_4A6H5UP5_277793~P	*		CONTROLS PARTS LIST

CONTROLS

75008926

REV  
A

Typical Illustration. Unit may not appear exactly as shown.



Part No.	Reference No.	Quantity	Description
CLP01039	*	1	CLIP; STRAIN RELIEF
CON00241	*	3	CONNECTOR; WIRE
RES00118	*	2	RESISTOR; THERMISTOR , 260 OHMS AT 75 DEGREE F
SEN01540	*	1	SENSOR; ASSEMBLY-AMBIENT (ODS-B)
SEN01729	*	1	SENSOR; ASSEMBLY, 9.75K OHMS RESISTANCE AT 75 DEG F, YELLOW LEADS
SHD00386	*	1	SHIELD; MOISTURE, 12.75 X 5.00
SHD00387	*	1	SHIELD; MOISTURE, 10.25 X 4.00
THT02240	*	1	THERMOSTAT, TERMINATOR, 240V OPEN @ 105 DEGREES F, CLOSE @ 73 DEGREES F
WIR04847	*	1	WIRE; HARNESS-CONTROL PANEL
PNL21731	1	1	PANEL, CONTROL PANEL, 27.14 HEIGHT
CPT00659	2	1	CAPACITOR; DUAL, 30/5 MFD, 440V, ROUND, W/O RESISTOR
CNT05875	3	1	CONTROL; DEFROST
CPT00320	4	1	CAPACITOR; START, 176-216 MFD, 320V, ROUND, W/ RESISTOR
RLY03210	5	1	RELAY, START, 50A COIL, 502 CONTINUOUS COIL RATING, 60 HZ, 260-280V HOT PICKUP, 239-268V PICK UP, 60-135V DROP OUT, 13800 COIL RESISTANCE
RLY03167	6	1	RELAY-TIME DELAY
CTR00845	7	1	CONTACTOR; 30 AMP, 240/480/600V, 24V COIL, 1 POLE



Parts List Number :75005591#4A6H5UP5

Model Number :4A6H5018G1000AB

Part No.	Reference No.	Quantity	Description
75005592_4A6H5UP5_277791~P	*		CABINETY PARTS LIST



Part No.	Reference No.	Quantity	Description
BAS02186	*	1	BASE; 36.26 X 36.41 DIAGONALLY
PAI00207	*	1	PAINT; SPINNAKER GRAY (SHIPPING UOM 12 OZ HAZ) SPRAY CAN
PAI00248	*	1	PAINT; 12 OZ SPRAY, ANTHRACITE GRAY (SHIPPING UOM 12 OZ HAZ)
SCR02010	*	19	SCREW; 12-18 AB HXW 1/2 SN
GRL01347	1	1	GRILLE; FAN, 25.51 MOUNTING DIA
COV04036	2	1	COVER; TOP, 29.40 X 32.36, SPINNAKER GRAY
PNL14792	3	1	PANEL; WRAPPER, 19.55 X 25.33
PNL26276	4	1	PANEL; CORNER POST, 3.5 x 25.3
PNL14792	5	1	PANEL; WRAPPER, 19.55 X 25.33
COV04037	6	1	COVER; CONTROLS, 11 x 18 INCHES
COV03228	7	1	COVER, CONTROL BOTTOM
COV04139	8	1	COVER; VALVE
PNL23811	9	1	PANEL; ACCESS, 15.69 X 24.65
PNL26276	10	1	PANEL; CORNER POST, 3.5 x 25.3
PNL23810	11	1	PANEL; WRAPPER, 23.14 X 25.33
PNL26276	12	1	PANEL; CORNER POST, 3.5 x 25.3

MODEL NUMBER DESCRIPTION

75005587

REL  
C

OUTDOOR UNITS

*Example Model Number:*

**4 A 7 A 0 0 3 6 A 1 0 0 0 A A**  
1 - - - 5 - - - 10 - - - 15

**Digit 1 – Refrigerant Type**

2 = R-22  
4 = R-410A

**Digit 2 – American Standard**

**Digit 3 – Product Type**

6,W = Split Heat Pump  
7,T = Split Cooling

**Digit 4 – Product Family**

V = Variable Speed  
Z = Leadership - Two Stage  
X = Leadership  
R = Replacement/Retail  
M or B = Basic  
A = Light Commercial  
L = Side Discharge

**Digit 5 – Family SEER**

3 = 13      7 = 17  
4 = 14      8 = 18  
5 = 15      9 = 19  
6 = 16      0 = 20

**Digits 6 – Split System Connections 1-6 Tons**

0 = Brazed

**Digits 7,8 – Nominal Capacity in 000s BTUs**

**Digit 9 – Major Design Modifications**

**Digit 10 – Power Supply**

1 = 200-230/1/60 or 208-230/1/60  
3 = 200-230/3/60  
4 = 460/3/60

**Digit 11,12,13 – Secondary Function**

**Digit 14 – Minor Design Modifications**

**Digit 15 – Unit Parts Identifier**

Part No.	Reference No.	Quantity	Description
75005587_4A6H5UP5_277790~P	*		MODEL NOMENCLATURE PARTS LIST

MODEL NUMBER DESCRIPTION

75005587

REL  
C

OUTDOOR UNITS

*Example Model Number:*

**4 A 7 A 0 0 3 6 A 1 0 0 0 A A**  
1 - - - 5 - - - 10 - - - 15

**Digit 1 – Refrigerant Type**

2 = R-22  
4 = R-410A

**Digit 2 – American Standard**

**Digit 3 – Product Type**

6,W = Split Heat Pump  
7,T = Split Cooling

**Digit 4 – Product Family**

V = Variable Speed  
Z = Leadership - Two Stage  
X = Leadership  
R = Replacement/Retail  
M or B = Basic  
A = Light Commercial  
L = Side Discharge

**Digit 5 – Family SEER**

3 = 13      7 = 17  
4 = 14      8 = 18  
5 = 15      9 = 19  
6 = 16      0 = 20

**Digits 6 – Split System Connections 1-6 Tons**

0 = Brazed

**Digits 7,8 – Nominal Capacity in 000s BTUs**

**Digit 9 – Major Design Modifications**

**Digit 10 – Power Supply**

1 = 200-230/1/60 or 208-230/1/60  
3 = 200-230/3/60  
4 = 460/3/60

**Digit 11,12,13 – Secondary Function**

**Digit 14 – Minor Design Modifications**

**Digit 15 – Unit Parts Identifier**

Parts List Number :75005591#4A6H5UP5

Model Number :4A6H5018G1000AB

Part No.	Reference No.	Quantity	Description
OPTIONS_4A6H5UP5_277795~P	*		OPTIONAL FIELD INSTALLED ACCESSORIES PARTS LIST

NO GRAPHIC AVAILABLE

75013702

REV  
A

**NO  
GRAPHIC  
AVAILABLE**

Parts List Number :75005591#4A6H5UP5

Model Number :4A6H5018G1000AB

Part No.	Reference No.	Quantity	Description
KIT02134	*	1	KIT-LOW TEMPERATURE COOLING (AY28X084)
KIT05354	*	1	KIT; TIME DELAY (TAYASCT501A) - 5 MINUTE RELAY ONLY IS RLY01343
KIT07731	*	1	KIT; SNOW LEGS, CONTAINS (4) 6" MOUNTING LEGS (BAYLEGS002)
KIT07732	*	1	KIT; SNOW LEGS, (4" EXTENSION KIT) (BAYLEGS003)
KIT08036	*	1	KIT; SEA COAST (BAYSEAC001)
KIT08087	*	1	KIT; HEAD PRESSURE (BAYLOAM103)
KIT08410	*	1	KIT; SOUND ENCLOSURE, (BAYSDEN001), (RECIP MODELS WITH 1-CYLINDER COMPRESSORS NO LARGER THAN 14" TALL OR 9" IN DIAMETER EXCEPT IN CABINET HEIGHTS 25.0" OR SHORTER)
KIT09425	*	1	KIT; ISOLATOR (BAYISLT101) (CONTAINS A QTY OF 5 ISOLATORS)
KIT15190	*	1	KIT; EXTREME MOUNTING CONDITION (BAYECMT004).
PAI00309	*	1	PAINT; DARK BROWN, 12 OZ SPRAY CAN, HERESITE AIR DRY PHENOLIC COATING, VR-554T