

Part No.	Reference No.	Quantity	Description
0000092681~S	*		CABINET
0000171941~S	*		COMPRESSOR MOUNTING
0000171942~S	*		COMPRESSOR
0000092682~S	*		CONTROLS
0000092683~S	*		FAN
0000092686~S	*		MODEL NUMBER DESCRIPTION
0000092684~S	*		REFRIGERATION

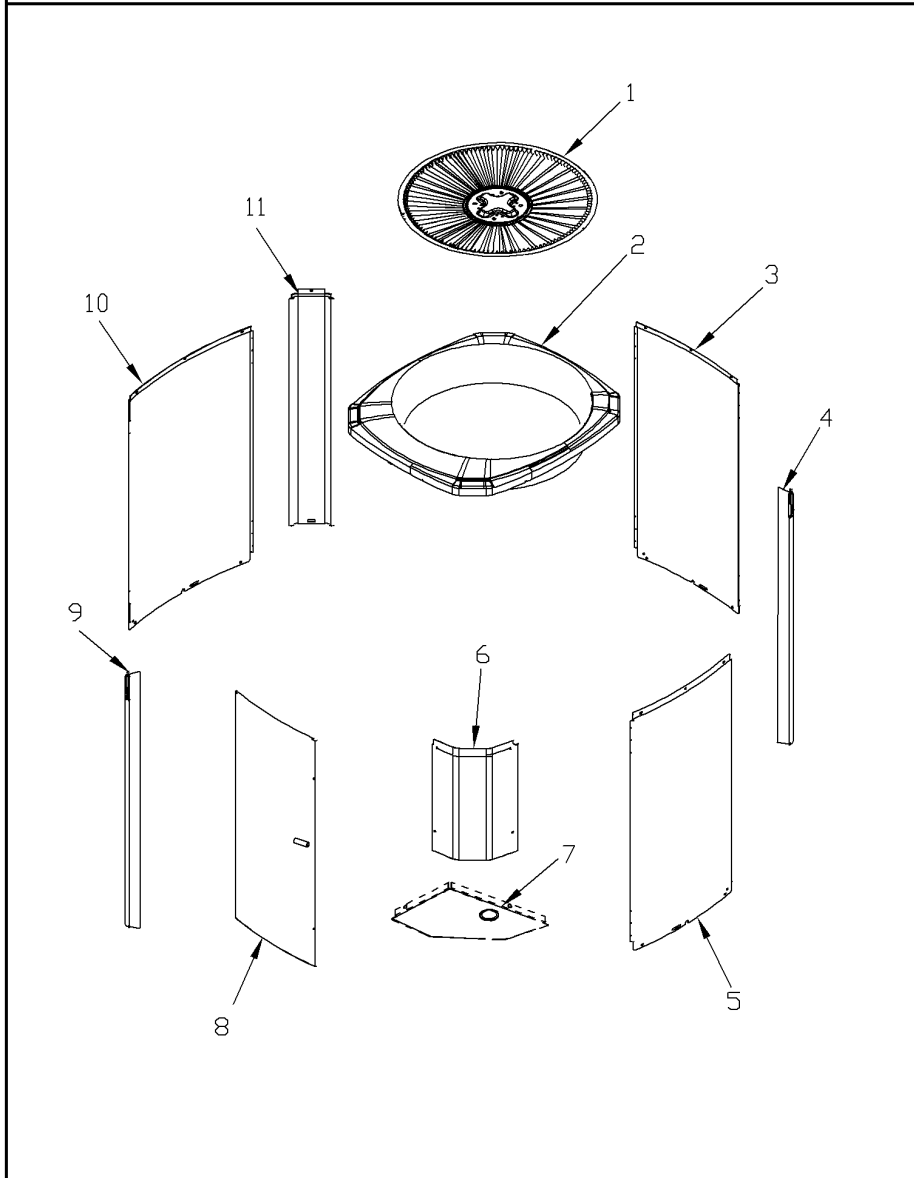
Part No.	Reference No.	Quantity	Description
0000032874~P	*		CABINET PARTS LIST

CABINETRY

75006805

REV
A

Typical Illustration. Unit may not appear exactly as shown.



Part No.	Reference No.	Quantity	Description
BAS01833	*	1	BASE; 36.26 X 36.41 DIAGONALLY
PAI00074	*	0	PAINT; SPRAY, SLATE GREY, FULL GLOSS(88) (SHIPPING UOM 12 OZ HAZ)
PAI00207	*	0	PAINT; SPINNAKER GRAY (SHIPPING UOM 12 OZ HAZ) SPRAY CAN
SCR02010	*	17	SCREW; 12-18 AB HXW 1/2 SN
SCR02054	*	17	SCREW; 12-18 AB HXW 1/2 SN
COV04036	2	1	COVER; TOP, 29.40 X 32.36, SPINNAKER GRAY
PNL23810	3	1	PANEL; WRAPPER, 23.14 X 25.33
COV04037	6	1	COVER; CONTROLS, 11 x 18 INCHES
COV03228	7	1	COVER, CONTROL BOTTOM
PNL23811	8	1	PANEL; ACCESS, 15.69 X 24.65
PNL14792	10	2	PANEL; WRAPPER, 19.55 X 25.33
PNL26276	11	3	PANEL; CORNER POST, 3.5 x 25.3

COMPRESSOR

Parts List Number :0000092703

Model Number :4A6H4030N1000AA

Part No.	Reference No.	Quantity	Description
0000037248~P	*		SCROLL COMPRESSOR

Part No.	Reference No.	Quantity	Description
COM13736	1	1	COMPRESSOR; LCA025C1CPA S

Part No.	Reference No.	Quantity	Description
0000032889~P	*		COMPRESSOR MTG

Part No.	Reference No.	Quantity	Description
ISR00007	*	4	ISOLATOR; VIBRATION
KIT08039	*	4	KIT; GROMMETS. COMPRESSOR MOUNTING. (CONSISTS OF 4), 0.44 ID X 1.63 OD NEOPRENE RUBBER-BLACK 45-55 DUROMETER
SCR01914	*	4	SCREW, ASSEMBLY COMPRESSOR, 5/16-12 TYPE B, W/WASHER & SLEEVE

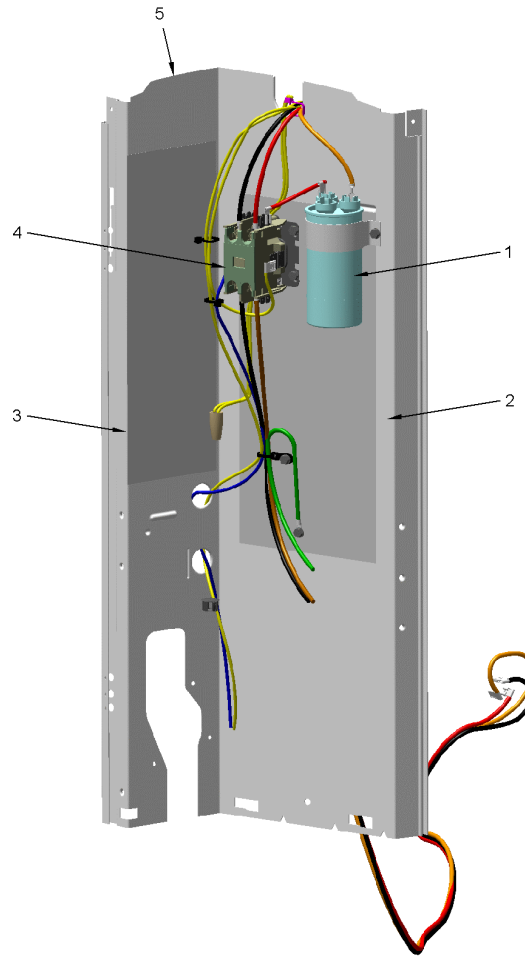
Part No.	Reference No.	Quantity	Description
0000037249~P	*		CONTROLS PARTS LIST

CONTROLS

75010701

REV
A

TYPICAL ILLUSTRATION



Part No.	Reference No.	Quantity	Description
CNT08177		1	CONTROL; DEFROST
CON00241		1	CONNECTOR; WIRE
PAI00246		0	PAINT; SPRAY, TARPAULIN GRAY (SHIPPING UOM 12 OZ HAZ)
PLU01388		1	PLUG; SCROLL COMPRESSOR
PNL21731		1	PANEL, CONTROL PANEL, 27.14 HEIGHT
SCR01918		7	SCREW, 10-24 THREAD ROLL, INDENT HEX WASHER HD
SCR01924		3	SCREW; 6-32 X .75, THREAD ROLLING SCREWS-ZINC PLATED, HEX WASHER
SEN02353		1	SENSOR; ASSEMBLY, AMBIENT, 10 IN WIRE LENGTH, -40C TO 105C OP TEMP RANGE, 14 IN WIRE LENGTH
SEN02908		1	SENSOR; COIL, 5/16 CLIP, YELLOW WIRES, 43 IN LENGTH
SRP00269		1	STRAP; CAPACITOR
TER00312		1	TERMINAL; 8IN. TIE CABLE
TIE00007		1	TIE;CABLE
WIR07598		1	WIRE; HARNESS, 9 PIN TO J4 ON DFC
CPT01844	1	1	CAPACITOR, RUN, 40/5 MFD, 370V, ROUND, W/O RESISTOR
CTR00845	4	1	CONTACTOR; 30 AMP, 240/480/600V, 24V COIL, 1 POLE
SHD00387	5	1	SHIELD; MOISTURE, 10.25 X 4.00

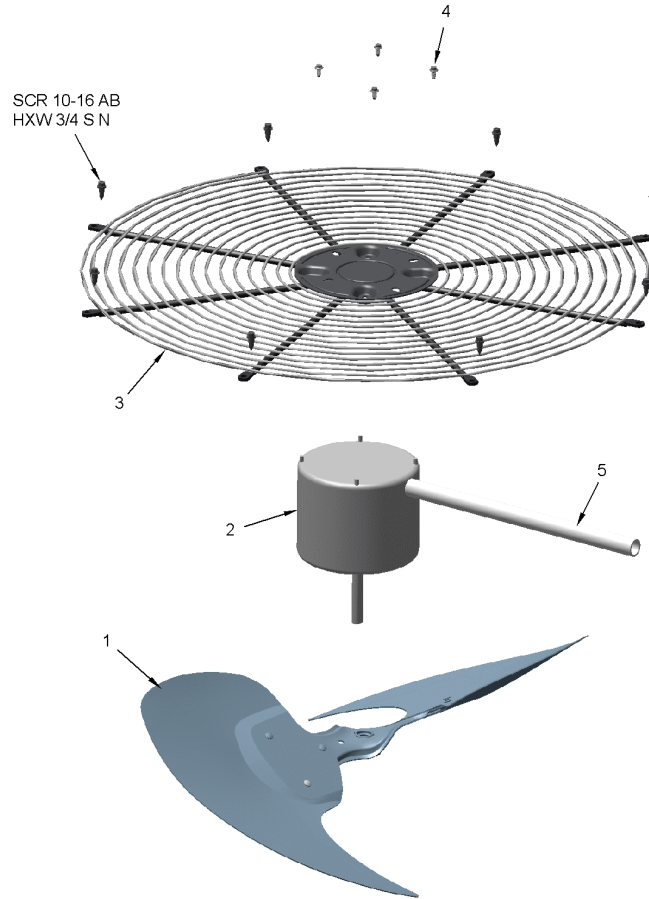
Part No.	Reference No.	Quantity	Description
0000032868~P	*		FAN PARTS LIST

FAN

75010673

REV
A

TYPICAL ILLUSTRATION



Part No.	Reference No.	Quantity	Description
FAN03657	1	1	FAN, 2 SWEPT BLADE, 23" DIA, 24.5 DEGREES PITCH, .50" BORE, CCW, ALUMINUM, 1 SET SCREW-STEEL, SPIDER .075 THK, FINISH/PAINT
MOT17918	2	1	MOTOR; 1/8 HP, 200/230/60/1, 825 RPM, 48 FRAME, PSC, SLEEVE BEARING, CCW
SCR02086	4	4	SCREW; 10-32 TR-3 HXW 3/8 S
GRD01415	5	1	GUARD, TROUGH-LEAD

Part No.	Reference No.	Quantity	Description
000006502~P	*		MODEL NUMBER DESCRIPTION GRAPHIC

MODEL NUMBER DESCRIPTION

75005587

REL
C

OUTDOOR UNITS

Example Model Number:

4 A 7 A 0 0 3 6 A 1 0 0 0 A A
1 - - - 5 - - - 10 - - - 15

Digit 1 – Refrigerant Type

2 = R-22
4 = R-410A

Digit 2 – American Standard

Digit 3 – Product Type

6,W = Split Heat Pump
7,T = Split Cooling

Digit 4 – Product Family

V = Variable Speed
Z = Leadership - Two Stage
X = Leadership
R = Replacement/Retail
M or B = Basic
A = Light Commercial
L = Side Discharge

Digit 5 – Family SEER

3 = 13 7 = 17
4 = 14 8 = 18
5 = 15 9 = 19
6 = 16 0 = 20

Digits 6 – Split System Connections 1-6 Tons

0 = Brazed

Digits 7,8 – Nominal Capacity in 000s BTUs

Digit 9 – Major Design Modifications

Digit 10 – Power Supply

1 = 200-230/1/60 or 208-230/1/60
3 = 200-230/3/60
4 = 460/3/60

Digit 11,12,13 – Secondary Function

Digit 14 – Minor Design Modifications

Digit 15 – Unit Parts Identifier

Part No.	Reference No.	Quantity	Description
0000032896~P	*		REFRIGERATION PARTS LIST

REFRIGERATION

75010794

REV
A

TYPICAL ILLUSTRATION



Part No.	Reference No.	Quantity	Description
CAP00455	*	2	CAP; HUB, 7/16-20 STRAIGHT
PAI00246	*	0	PAINT; SPRAY, TARPAULIN GRAY (SHIPPING UOM 12 OZ HAZ)
PLU00417	*	0	PLUG; TUBE
SCR02010	*	4	SCREW; 12-18 AB HXW 1/2 SN
SCR02054	*	4	SCREW; 12-18 AB HXW 1/2 SN
SLV00082	*	0	SLEEVE;
SLV00083	*	0	SLEEVE;
SWT04657	*	1	SWITCH; LOW PRESSURE BZ
TER00312	*	0	TERMINAL; 8IN. TIE CABLE
TIE00007	*	0	TIE;CABLE
TIE00023	*	7	TIE;CABLE, 8.00IN.
TUB02810	*	8	TUBE; TRANSITION
TUB11547	*	8	TUBE; TRANSITION ASSEMBLY
TUB15481	*	1	TUBE; TU ASM-SUCTION BZ
TUB15482	*	1	TUBE; TU ASM-DISCHARGE BZ
TUB15937	*	1	TUBE; TU ASM-VLV
CLP00233		1	CLIP; HOLDING
SWT03274	2	1	SWITCH, HIGH PRESSURE, SPST, OPEN @ 650 PSIG, CLOSE @ 500 PSIG, 75" YELLOW LEAD
VAL19485	3	1	VALVE; TEV HXCE 1 ZX200
COR00103	5	2	CORE; VALVE, .79 LENGTH, .206-36 UNS-1 MOD. THD
VAL08991	6	1	VALVE; SWITCHOVER, 3 TON, .50 IDF X .75 OD, W/ 24V SOLENOID COIL
MFL00806	7	1	MUFFLER; 1/2 ODF CONNECTION (DRIER COULD BE PAINTED EITHER SMOKE GRAY OR NAVY BLUE)
VAL20681	9	1	VALVE-SER LIQ O(06-06)
CAP01315	9a	1	CAP; SERVICE LIQUID VALVE, BRASS, 1.06 OD X 0.81 ID X 15/16-20UNEF-2B
CAP01336	10	1	CAP; SERVICE LIQUID VALVE, BRASS, 0.75 OD X 0.57 ID X 11/16-28UN-2B
BRK03696	11	1	BRACKET; VALVE
CLP00223	15	1	CLIP; BULB
COL28901	20	0	COIL ASM-REPL