

<b>Part No.</b>	<b>Reference No.</b>	<b>Quantity</b>	<b>Description</b>
0000092681~S	*		CABINET
0000171941~S	*		COMPRESSOR MOUNTING
0000171942~S	*		COMPRESSOR
0000092682~S	*		CONTROLS
0000092683~S	*		FAN
0000092686~S	*		MODEL NUMBER DESCRIPTION
0000092684~S	*		REFRIGERATION

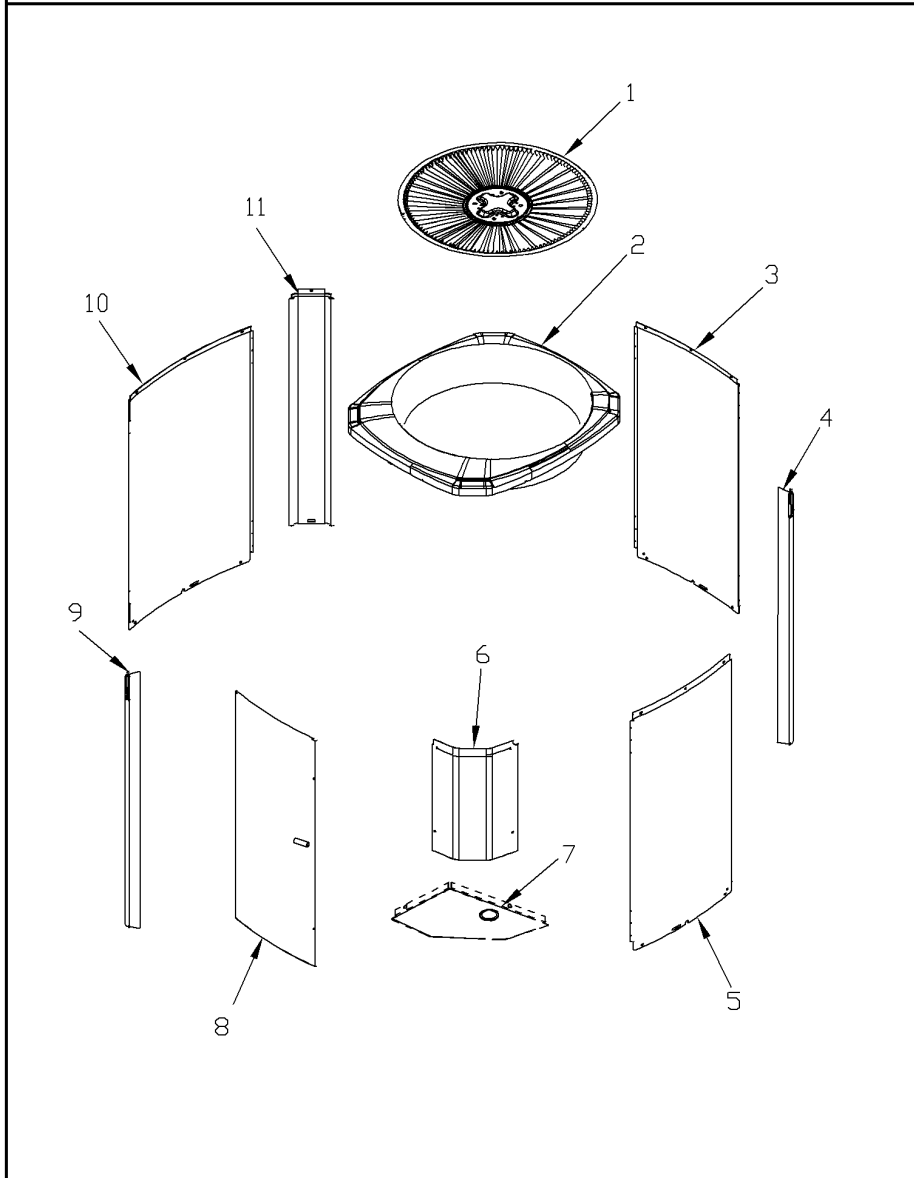
Part No.	Reference No.	Quantity	Description
0000032875~P	*		CABINET PARTS LIST

CABINETRY

75006805

REV  
A

Typical Illustration. Unit may not appear exactly as shown.



Part No.	Reference No.	Quantity	Description
BAS01833	*	1	BASE; 36.26 X 36.41 DIAGONALLY
PAI00074	*	0	PAINT; SPRAY, SLATE GREY, FULL GLOSS(88) (SHIPPING UOM 12 OZ HAZ)
PAI00207	*	0	PAINT; SPINNAKER GRAY (SHIPPING UOM 12 OZ HAZ) SPRAY CAN
SCR02010	*	14	SCREW; 12-18 AB HXW 1/2 SN
SCR02054	*	14	SCREW; 12-18 AB HXW 1/2 SN
COV04036	2	1	COVER; TOP, 29.40 X 32.36, SPINNAKER GRAY
PNL13161	3	1	PANEL; WRAPPER, 23.22 X 29.33
COV04037	6	1	COVER; CONTROLS, 11 x 18 INCHES
COV03228	7	1	COVER, CONTROL BOTTOM
PNL13163	8	1	PANEL; ACCESS, 15.72 X 28.65
PNL13162	10	2	PANEL; WRAPPER, 19.55 X 29.33
PNL26267	11	3	PANEL; CORNER POST, 3.5 x 29.3 INCHES

COMPRESSOR

Parts List Number :0000092703

Model Number :4A6H4018N1000AA

Part No.	Reference No.	Quantity	Description
0000037267~P	*		SCROLL COMPRESSOR

Part No.	Reference No.	Quantity	Description
COM13740	*	1	COMPRESSOR; SCROLL, ALLIA

Part No.	Reference No.	Quantity	Description
0000032889~P	*		COMPRESSOR MTG

<b>Part No.</b>	<b>Reference No.</b>	<b>Quantity</b>	<b>Description</b>
ISR00007	*	4	ISOLATOR; VIBRATION
KIT08039	*	4	KIT; GROMMETS. COMPRESSOR MOUNTING. (CONSISTS OF 4), 0.44 ID X 1.63 OD NEOPRENE RUBBER-BLACK 45-55 DUROMETER
SCR01914	*	4	SCREW, ASSEMBLY COMPRESSOR, 5/16-12 TYPE B, W/WASHER & SLEEVE

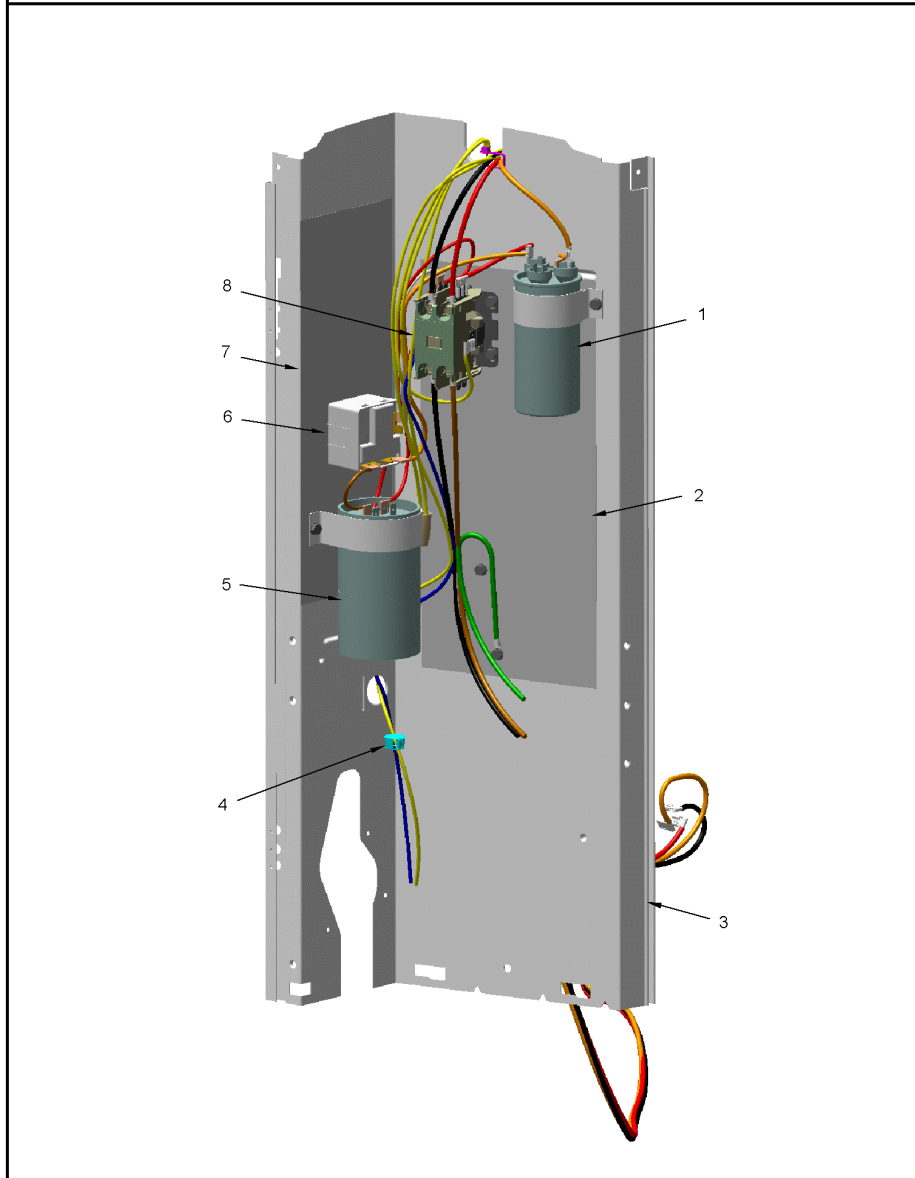
Part No.	Reference No.	Quantity	Description
0000037247~P	*		CONTROLS PARTS LIST

CONTROLS

75010930

REV.  
A

TYPICAL ILLUSTRATION



Part No.	Reference No.	Quantity	Description
CNT08177	*	1	CONTROL; DEFROST
CON00241	*	1	CONNECTOR; WIRE
PAI00246	*	0	PAINT; SPRAY, TARPAULIN GRAY (SHIPPING UOM 12 OZ HAZ)
PNL13027	*	1	PANEL; CONTROL PANEL BASE, 31.14 HEIGHT
SCR01918	*	7	SCREW, 10-24 THREAD ROLL, INDENT HEX WASHER HD
SCR01924	*	3	SCREW; 6-32 X .75, THREAD ROLLING SCREWS-ZINC PLATED, HEX WASHER
SEN02353	*	1	SENSOR; ASSEMBLY, AMBIENT, 10 IN WIRE LENGTH, -40C TO 105C OP TEMP RANGE, 14 IN WIRE LENGTH
SEN02908	*	1	SENSOR; COIL, 5/16 CLIP, YELLOW WIRES, 43 IN LENGTH
TER00312	*	1	TERMINAL; 8IN. TIE CABLE
TIE00007	*	1	TIE;CABLE
WIR03324	*	1	WIRE, PLUG-SCROLL COMPRESSOR
WIR07598	*	1	WIRE; HARNESS, 9 PIN TO J4 ON DFC
CPT00977	1	1	CAPACITOR; DUAL, 35/5 MFD, 440V, ROUND, W/O RESISTOR
SHD00387	2	1	SHIELD; MOISTURE, 10.25 X 4.00
CTR00845	4	1	CONTACTOR; 30 AMP, 240/480/600V, 24V COIL, 1 POLE
SRP00269	5	1	STRAP; CAPACITOR

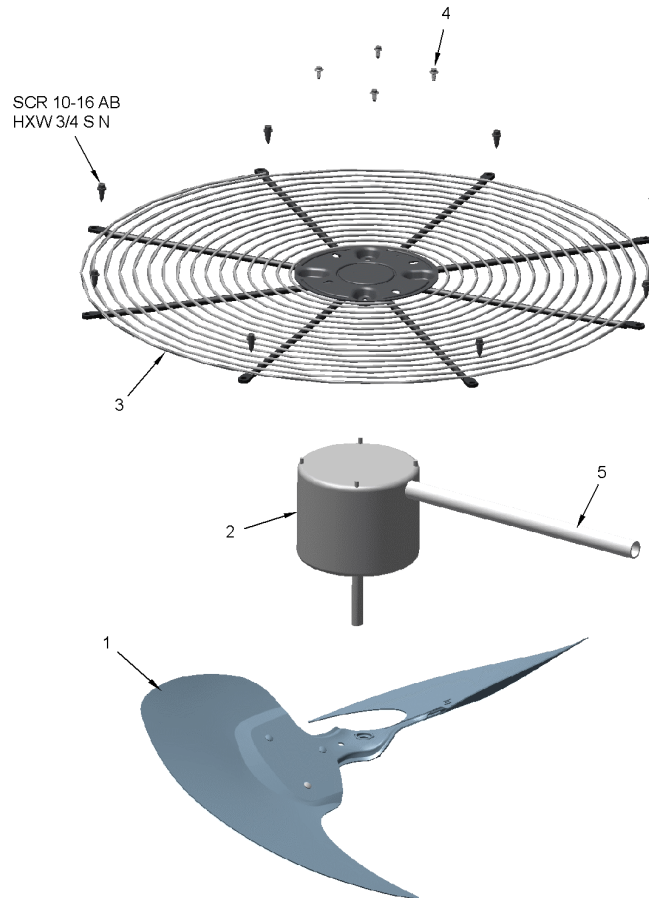
Part No.	Reference No.	Quantity	Description
0000032871~P	*		FAN PARTS LIST

FAN

75010673

REV  
A

TYPICAL ILLUSTRATION



<b>Part No.</b>	<b>Reference No.</b>	<b>Quantity</b>	<b>Description</b>
FAN06683	1	1	FAN; TR3R28-2
MOT16968	2	1	MOTOR; 1/8 HP
SCR02086	4	4	SCREW; 10-32 TR-3 HXW 3/8 S
GRD01415	5	1	GUARD, TROUGH-LEAD

Part No.	Reference No.	Quantity	Description
000006502~P	*		MODEL NUMBER DESCRIPTION GRAPHIC

MODEL NUMBER DESCRIPTION

75005587

REL  
C

OUTDOOR UNITS

*Example Model Number:*

**4 A 7 A 0 0 3 6 A 1 0 0 0 A A**  
1 - - - 5 - - - 10 - - - 15

**Digit 1 – Refrigerant Type**

2 = R-22  
4 = R-410A

**Digit 2 – American Standard**

**Digit 3 – Product Type**

6,W = Split Heat Pump  
7,T = Split Cooling

**Digit 4 – Product Family**

V = Variable Speed  
Z = Leadership - Two Stage  
X = Leadership  
R = Replacement/Retail  
M or B = Basic  
A = Light Commercial  
L = Side Discharge

**Digit 5 – Family SEER**

3 = 13      7 = 17  
4 = 14      8 = 18  
5 = 15      9 = 19  
6 = 16      0 = 20

**Digits 6 – Split System Connections 1-6 Tons**

0 = Brazed

**Digits 7,8 – Nominal Capacity in 000s BTUs**

**Digit 9 – Major Design Modifications**

**Digit 10 – Power Supply**

1 = 200-230/1/60 or 208-230/1/60  
3 = 200-230/3/60  
4 = 460/3/60

**Digit 11,12,13 – Secondary Function**

**Digit 14 – Minor Design Modifications**

**Digit 15 – Unit Parts Identifier**

Part No.	Reference No.	Quantity	Description
0000032938~P	*		REFRIGERATION PARTS LIST

REFRIGERATION

75010794

REV  
A

TYPICAL ILLUSTRATION



Part No.	Reference No.	Quantity	Description
CAP00455	*	2	CAP; HUB, 7/16-20 STRAIGHT
CLP00233	*	1	CLIP; HOLDING
PAI00246	*	0	PAINT; SPRAY, TARPAULIN GRAY (SHIPPING UOM 12 OZ HAZ)
PLU00417	*	0	PLUG; TUBE
SCR02010	*	4	SCREW; 12-18 AB HXW 1/2 SN
SCR02054	*	4	SCREW; 12-18 AB HXW 1/2 SN
SLV00082	*	0	SLEEVE;
SLV00083	*	0	SLEEVE;
TER00312	*	0	TERMINAL; 8IN. TIE CABLE
TIE00007	*	0	TIE;CABLE
TIE00023	*	7	TIE;CABLE, 8.00IN.
TUB02810	*	10	TUBE; TRANSITION
TUB11547	*	10	TUBE; TRANSITION ASSEMBLY
TUB15481	*	1	TUBE; TU ASM-SUCTION BZ
TUB15482	*	1	TUBE; TU ASM-DISCHARGE BZ
TUB15937	*	1	TUBE; TU ASM-VLV
SWT03274	2	1	SWITCH, HIGH PRESSURE, SPST, OPEN @ 650 PSIG, CLOSE @ 500 PSIG, 75° YELLOW LEAD
VAL19486	3	1	VALVE; TEV HXCE 1 ZX200
SWT04657	4	1	SWITCH; LOW PRESSURE BZ
VAL08991	6	1	VALVE; SWITCHOVER, 3 TON, .50 IDF X .75 OD, W/ 24V SOLENOID COIL
MFL00806	7	1	MUFFLER; 1/2 ODF CONNECTION (DRIER COULD BE PAINTED EITHER SMOKE GRAY OR NAVY BLUE)
VAL20681	9	1	VALVE-SER LIQ O(06-06)
CAP01315	9a	1	CAP; SERVICE LIQUID VALVE, BRASS, 1.06 OD X 0.81 ID X 15/16-20UNEF-2B
VAL20399	10	1	VALVE; SERVICE GAS ASSEMBLY, 0.75 ODS X 0.75 ODS, FEMALE BRAZE TO FEMALE BRAZE, LEFT HAND MOUNTING HOLES
CAP01336	10a	1	CAP; SERVICE LIQUID VALVE, BRASS, 0.75 OD X 0.57 ID X 11/16-28UN-2B
BRK03020	11	1	BRACKET; VALVE
CLP00223	15	1	CLIP; BULB
COR00103	16	1	CORE; VALVE, .79 LENGTH, .206-36 UNS-1 MOD. THD
COL28895	20	0	COIL ASM-REPL