

Installation Instructions — Blower Replacement — Select/Select Fit (S/SF) — EN/FR/ES



Warning

This product is intended for general ventilation use only. If you have questions, contact Fantech. To decrease the risk of fire, electric shock, or injury, read and obey the following warning instructions before you do work on the product:

- Because the product has rotating parts, exercise safety precautions when installing, operating, and maintaining the product.
- When installing the product, obey all applicable local conditions and laws, and fire-rated construction codes and standards.
- Before installing, servicing, troubleshooting, or cleaning, set the product's electrical power supply source in the OFF position, and lock the service disconnecting means. If the service disconnecting means cannot be locked, attach a large warning device to the service panel.
- When removing the old product from the ceiling, make sure that the product is held onto tightly to prevent injury.

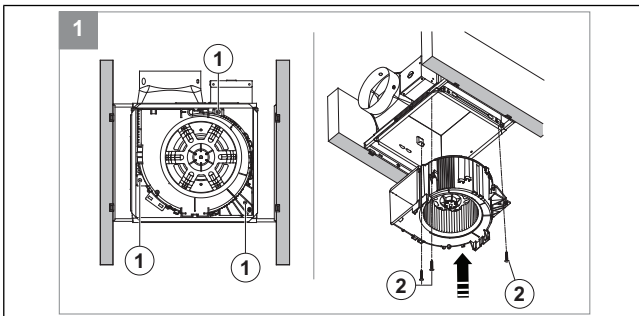
Blower Models	Fan Models	Model Numbers
Replacement Blower Assembly, Select Fit (#484369)	• SF50-80-100	• #484305
	• SF50-80-100L	• #484306
	• SFC50-80-100	• #484307
	• SFC50-80-100H	• #484308
	• SFC50-80-100HO	• #484309
	• SFC50-80-100L	• #484310
	• SFC50-80-100LH	• #484311
	• SFC50-80-100LHO	• #484312
Replacement Blower Assembly, SC50-80-110 (#484370)	• SC50-80-110	• #484313
	• SC50-80-110L	• #484314

Replacement Blower Assembly, S110-130-150 (#484371)	• S110-130-150	• #484315
	• S110-130-150L	• #484316
	• SC110-130-150H	• #484317
	• SC110-130-150LH	• #484318
	• SC110-130-150LHO	• #484319

To Replace the Blower

- 1 If the product has power, disconnect the power at the source.
- 2 Remove the ceiling fan grille from the product's casing and set aside.
- 3 If applicable, remove the (4) screws that attach the radiation damper to the damper casing.
- 4 If applicable, remove the radiation damper and set aside.
- 5 Detach the blower assembly cable from the product.
- 6 Remove the (3) screws that attach the blower assembly to the product casing.
- 7 Remove the old blower assembly.
- 8 Detach the blower assembly cable from the side of the old blower casing.
- 9 Detach the control module cable from the side of the blower casing.
- 10 Remove (1) screw that holds the control module to the blower casing.
- 11 Remove the control module and set it aside.
- 12 Correctly discard of the old blower assembly.
- 13 Using (1) removed screw, install control module onto new blower assembly.
- 14 Connect the control module cable to the connection on the bottom of the new blower assembly.
- 15 Set the blower assembly cable under the blower casing of the new blower assembly.
- 16 Attach the blower assembly cable to the clamps on the side of the blower casing.

- 17** Attach the blower assembly cable to the product.
- 18** Align the opening of the new blower assembly with the opening of the product casing.
- 19** Using the (3) included screws, install the new blower assembly into the product casing.
- 20** If applicable, using the (4) removed screws, reattach the radiation damper.
- 21** Connect the power at the source correctly.
- 22** If applicable, reattach the ceiling fan grille to the damper casing.



Fantech reserves the rights to alter their products without notice. This also applies to products already ordered, as long as it does not affect the previously agreed specifications.