

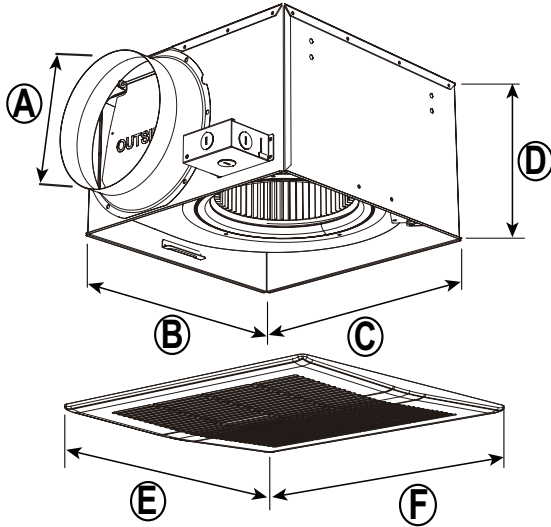
bathfan Commercial

COM200-300-400-500

Ceiling Mount Exhaust Fans



COM 200-300-400-500
Commercial CFM Range



STANDARD FEATURES

- Selectable airflow settings: 200/300/400/500 CFM (94/142/189/236 L/s)
- Energy-efficient, self-compensating DC motor
- Easy installation with four included suspension brackets
- Duct connector included: 8 in. (203mm)
- 5 year limited warranty

Model	A		B		C		D		E		F		Metal Gauge	Weight	
	in.	mm	in.	mm	in.	mm	in.	mm	in.	mm	in.	mm		lb	kg
COM200-300-400-500 (#484320)	8	203	14-1/8	359	14-1/8	359	9	229	15-1/2	394	16-1/2	419	26	19.8	9

Fan Specifications								Motor Specifications								
Line	Qty	Model No.	Tag	CFM	SP	Fan RPM	Watts	Volts	Phase	Hertz	Insulation Class					
1											A					
2											A					
3											A					

Accessory Items				1	2	3	4	Accessory Items				1	2	3	4

Project: _____ Submitted: _____
 Customer: _____ Approved: _____
 Location: _____