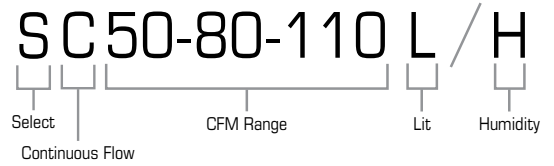


bathfan Select (S) SC50-80-110 Series

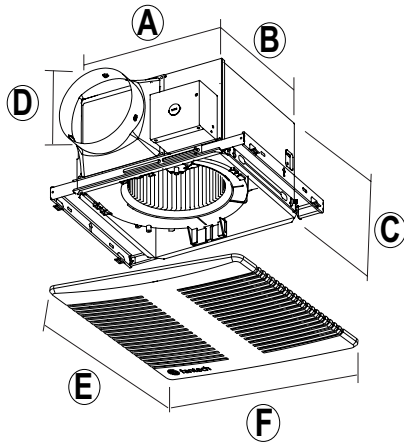
Ceiling Mount Exhaust Fans



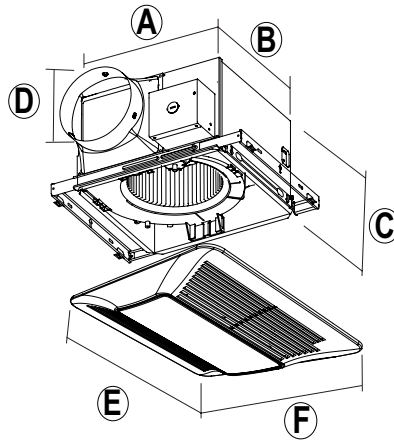
STANDARD FEATURES

- Selectable airflow settings: 50/80/110 CFM (24/38/52 L/s)
- Virtually Silent operation: <0.3–0.6–0.9 Sones
- Design – ideal for 2x8 joist construction and taller
- Energy-efficient, self-compensating DC motor
- Continuous Flow
- Integrated Humidity Sensor (available with applicable models)
- Time Delay
- Ceiling Radiation Damper – bathfan Select (S) Series to be used with the UL555C Fantech Ceiling Radiation Damper—Large (Model #: 98600, sold separately) or the UL555C Fantech Select Radiation Damper (Model #: 494046, sold separately).
- Includes an 11W, 4000K cool white LED lighted grille (on the SC50-80-110L only)
- Built-in, soft-close backdraft damper
- Adjustable EZ Mounting Frame included
- Duct connector included: 6 in. (152mm)
- For ceiling installations only
- 5 year limited warranty

Nonlit Models



Lit Models



Model	A	B	C	D	E	F
	in. (mm)	in. (mm)	in. (mm)	in. (mm)	in. (mm)	in. (mm)
SC50-80-110 (#484313)						
SC50-80-110L (#484314)	11- ³ / ₈ (289)	10- ¹ / ₂ (267)	7- ⁵ / ₈ (194)	6 (152)	13 (330)	13- ³ / ₄ (349)
SC50-80-110H (#494140)						

Fan Specifications							Motor Specifications				
Line	Qty	Model No.	Tag	CFM	SP	Fan RPM	Watts	Volts	Phase	Hertz	Insulation Class
1											A
2											A
3											A

Accessory Items	1	2	3	4	Accessory Items	1	2	3	4

Project: _____ Submitted: _____
 Customer: _____ Approved: _____
 Location: _____

United States 10048 Industrial Blvd. • Lenexa, KS 66215 • 1.800.747.1762 • www.fantech.net
Canada 50 Kanafflakt Way • Bouctouche, NB E4S 3M5 • 1.800.565.3548 • www.fantech.net

Fantech reserves the right to make technical changes.
 For updated documentation please refer to www.fantech.net

