

APPLICATION

These inlet/outlet flanges are used for modifying the VR8200 family of combination gas controls for use with different pipe sizes and piping configurations. Flanges (part no. 393690) are available for 3/8 in., 1/2 in. and 3/4 in. straight and angle (elbow) connection. All elbow flanges are 90 degrees.

All flange kits include one flange with attached O-ring and four mounting screws. TRADELINE kits also include a 9/64 in. hex wrench. See Table 1.

TABLE 1—INLET/OUTLET FLANGES FOR
VR8200 FAMILY OF COMBINATION GAS CONTROLS

INLET/ OUTLET PIPE SIZE	FLANGE TYPE	PART NO.	
		LESS HEX WRENCH	WITH HEX WRENCH
3/8 in. NPT	Straight	393690-1	393690-11
	Elbow ^a	393690-2	393690-12
1/2 in. NPT	Straight	393690-6	393690-16
	Elbow ^a	393690-3	393690-13
3/4 in. NPT	Straight	393690-4	393690-14
	Elbow ^a	393690-5	393690-15

^a Elbow flanges cannot be used on the inlet end of standing pilot models if the ECO connector is used.

INSTALLATION

WHEN INSTALLING THIS PRODUCT . . .

1. Read these instructions carefully. Failure to follow them could damage the product or cause a hazardous condition.
2. Check the ratings given in the instructions and on the product to make sure the product is suitable for your application.
3. Installer must be a trained, experienced service technician.
4. After installation is complete, check out product operation as provided in gas control instructions.

WARNING

To avoid dangerous accumulation of fuel gas, turn off gas supply at the appliance service valve before starting installation, and perform Gas Leak Test after completion of installation.

IMPORTANT

Gas controls are shipped with protective seals over inlet and outlet tapings. Do not remove seals until ready to connect flange and piping.

INSTALL FLANGE ON CONTROL

Choose the appropriate flanges for your application. Follow the appropriate installation steps outlined below. See Fig. 1.

1. Remove seal over control inlet or outlet.
2. Check to insure that the O-ring is fitted in the groove of the flange. If O-ring is not attached or is missing, do not install flange.
3. With O-ring facing control, line up the screw holes on the control with the holes in the flange. Insert and tighten the hex screws provided with the flange. Tighten screws to 25 inch-pounds torque to provide a gas tight seal.

Complete installation following instructions provided with the control. If a wrench is used on the control after flanges are mounted, apply the wrench to the flange, not the control. See Fig. 2.

USING FLANGES TO SOLVE SWING RADIUS PROBLEMS

In some field service applications, it is difficult or impossible to thread the control onto the gas supply pipe because of space limitations. This problem can be resolved in many instances through the use of a flange. The flange is installed on the end of the supply pipe in place of the gas control, following the same precautions and instructions that are used for installing the gas control. After the flange is installed, the gas control is attached to the flange as outlined above. Note that use of the flange increases the overall length of the gas control.

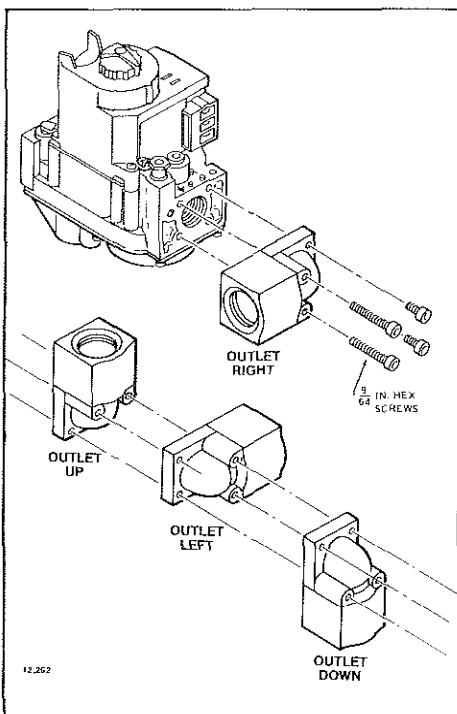


Fig. 1—Fasten flange to gas control using 25 inch-pounds torque.

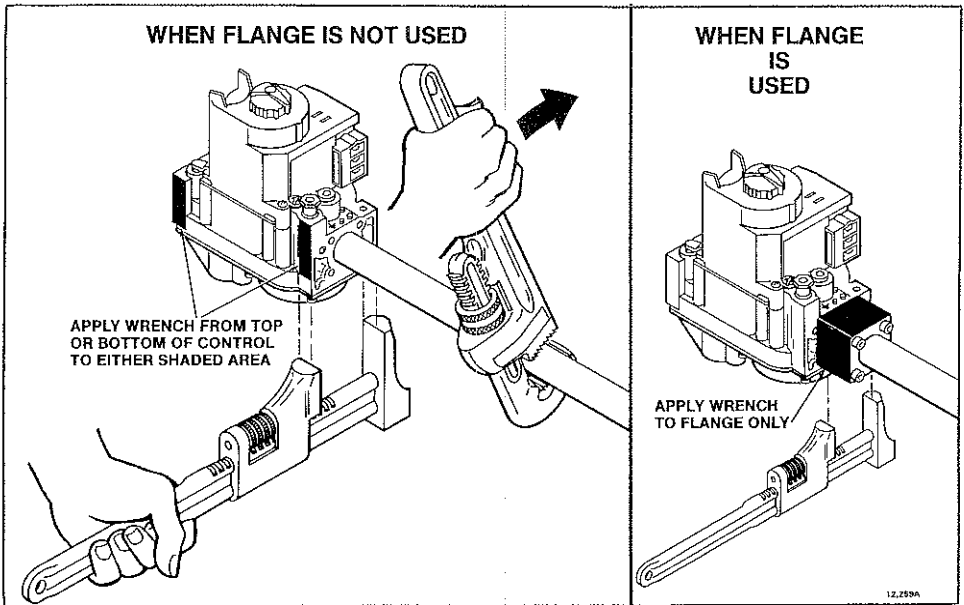


Fig. 2— Proper use of wrench on gas control with and without flanges.

CHECKOUT

After all system piping is complete, perform Gas Leak Test, making sure to test joint between flanges and gas control.

WARNING

PERFORM THE GAS LEAK TEST ANY TIME WORK IS DONE ON A GAS SYSTEM TO AVOID THE POSSIBILITY OF FIRE OR EXPLOSION WITH PROPERTY DAMAGE, PERSONAL INJURY OR LOSS OF LIFE.

The Gas Leak Test is performed as follows: Paint pipe connections upstream of gas control with a rich soap and water solution to test for leaks before operating main burner. Bubbles indicate gas leak. To stop leak, tighten pipe connections. After piping connections are checked, turn on main burner. Stand clear while lighting pilot or while main burner ignites to prevent injury caused from hidden leaks which could cause flashback in the appliance vestibule. With main burner in operation, paint pipe joints (including flanges), pilot gas tubing connections and control inlet and outlet with rich soap and water solution. Bubbles indicate gas leak. To stop leak, tighten flange screws, joints and pipe connections. Replace part if leak can't be stopped.