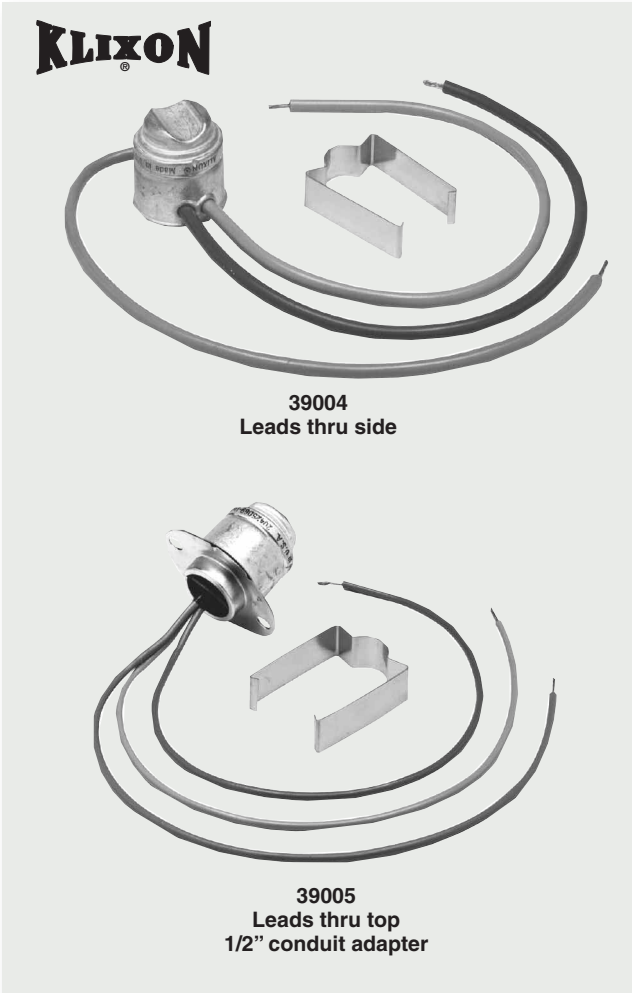


Klixon Fan & Limit Switches

MARS SERIES **390**



39004
Leads thru side

39005
Leads thru top
1/2" conduit adapter

Change-Over Switches for Fan-Coil Systems

The MARS Series 390 change-over switches are used for summer-winter change-over of electric thermo-stats in hydronic heating - cooling fan-coil units.

Features:

- Color coded leads allow easy installation
- SL-8 thermostat is enclosed in sealed case for trouble-free operation
- Snap-acting disc type, insures accurate temperature repeatability
- Can be mounted in any position
- UL and CSA listings available

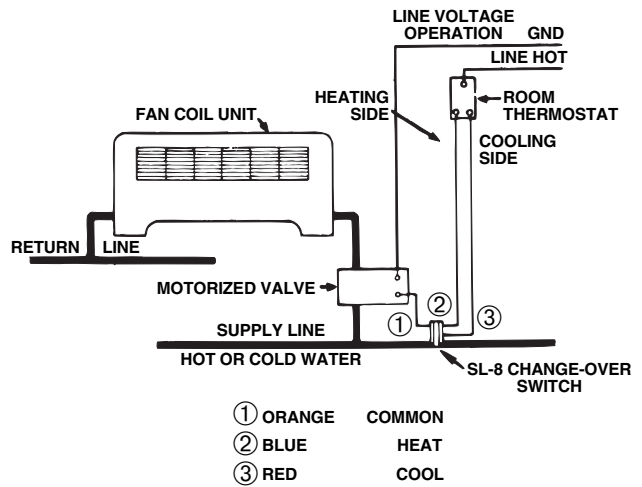
Installation

The SL-8 change-over switch is located on the main run of the supply line where it can quickly sense the maximum temperature of the hot or cold water passing through. If the SL-8 switch is exposed to surrounding temperatures, thermal insulation should be wrapped around the switch case to maintain desired thermal response.

Specifications:

Pipe size: 5/8 in O.D.
Leads: 12 in. color coded
Switch Action: SPDT
Temperature: 88°F (31°C)—terminals 1 & 2 close, 1 & 3 open
 73°F (23°C)—terminals 1 & 3 close, 1 & 2 open
Mounting: mounting clip supplied with each kit
Electrical: terminals 1 & 3 25 amp at 120/240 VAC
 Terminals 1 & 2 10 amp at 120 VAC, 5 amp at 240 VAC

MARS NO.	KLIXON KIT NO.	KLIXON NO.	DESCRIPTION
39004	SL8-5	20425D27-160-356	leads thru side of cup
39005	SL8-5A	20425D69-160-287	leads thru top of cup with 1/2" conduit adapter



- ① ORANGE COMMON
- ② BLUE HEAT
- ③ RED COOL

Cross Reference

HONEYWELL NO.	MARS REPLACEMENT	WHITE RODGERS NO.	MARS REPLACEMENT
L6076A	39004	752-1	39004
L6076B	39005	752-2	39005

