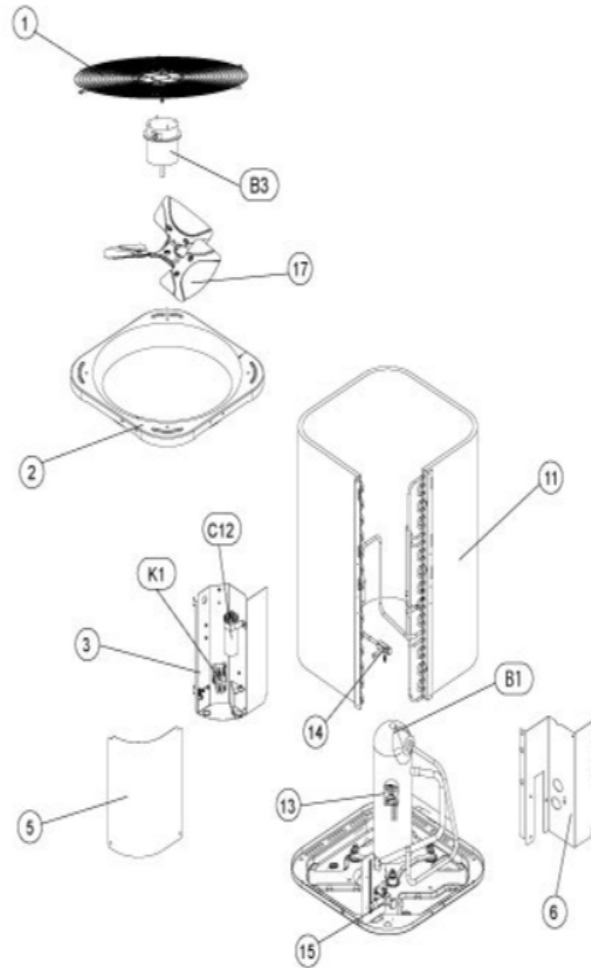


COOLING-CONDENSING
NOVEMBER, 2006

2AC14 SERIES



Revision Number - 1A

CABINET PARTS

Callout	Name	Quantity	Description
	NUT-CAP Cat #: 85M56 Model/Part #: 100094-01	4	MOTOR
	MESHING-COIL Cat #: 26W59 Model/Part #: 100231-42	1	"39"" X 109"" (CUT OT FIT)
	PUSH PIN-MESHING Cat #: 26W29 Model/Part #: R100230-01	8	PUSH PIN
	GUARD-COIL Cat #: 17W18 Model/Part #: R100331-02	1	WIRE MESH
1	GUARD-FAN Cat #: 28W38 Model/Part #: R101214-01	1	GUARD-FAN: FLAT
2	PANEL-TOP Cat #: 11W87 Model/Part #: R20391806	1	PANEL-TOP (Large)
3	PANEL-CONTROL Cat #: 11W88 Model/Part #: R20419005	1	PANEL-CONTROL BOX
5	COVER-CONTROL BOX Cat #: 11W70 Model/Part #: R20419104	1	COVER, CONTROL ACCESS
6	PANEL-LOWER Cat #: 17W16 Model/Part #: R20610801	1	PIPING

CONTROL PANEL PARTS

Callout	Name	Quantity	Description
C12	CAPACITOR-DUAL Cat #: 89M73 Model/Part #: 100335-05	1	"35+5MFD,370VAC"
C23	CAPACITOR-START Cat #: 28W51 Model/Part #: 20400402	1	CAPACITOR 145-174 MFD @ 250V ROUND
K1	CONTACTOR Cat #: 95M55 Model/Part #: 100438-01	1	"SPST, 24V"
R1	RELAY-POTENTIAL	1	START RELAY

Callout	Name	Quantity	Description
	Cat #: 28W50 Model/Part #: 20400301		

COOLING PARTS

Callout	Name	Quantity	Description
	DRIER-FILTER Cat #: 17W12 Model/Part #: 100215-02	1	"3/8""
	MOUNT PKG-COMP Cat #: 54M63 Model/Part #: 54M63	1	LB-106528 COMPRESSOR MTG KIT
	VALVE-EXPANSION (R-22) Cat #: 56J19 Model/Part #: LB-85759F	1	INDOOR
11	COIL-CONDENSER Cat #: 28W40 Model/Part #: R20615102	1	ASSY- COIL (FORMED)
13	HARNESS-COMPRESSOR Cat #: 15M35 Model/Part #: 15M3501	1	COMPRESSOR- MOLDED PLUG
14	VALVE-SERVICE Cat #: 11W97 Model/Part #: R100355-01	1	"3/8"" LIQUID LINE"
15	VALVE-SERVICE Cat #: 11W95 Model/Part #: R100354-01	1	"3/4"" SUCTION LINE"
17	FAN Cat #: 28W34 Model/Part #: 100060-18	1	"1/2""BORE, 22""DIA, 3 BLADE"
B1	COMPRESSOR Cat #: 28W32 Model/Part #: 100197-03	1	"1.5 TON,208- 230/60/1,COPE"
B4	MOTOR-FAN Cat #: 97M50 Model/Part #: 100483-04	1	"1/10 HP, 1075 RPM, 208- 230/60/1"

OPTIONAL PARTS-FIELD INSTALLED

Callout	Name	Quantity	Description
HP KIT	KIT-HI PRESS SWITCHPRICE BOOK CAT #70L70 Cat #: Model/Part #:	1	

Callout	Name	Quantity	Description
LC KIT	KIT-LO PRESS SWITCHPRICE BOOK CAT #70L71 Cat #: Model/Part #:	1	

Note:

There are no technical notes for this product.