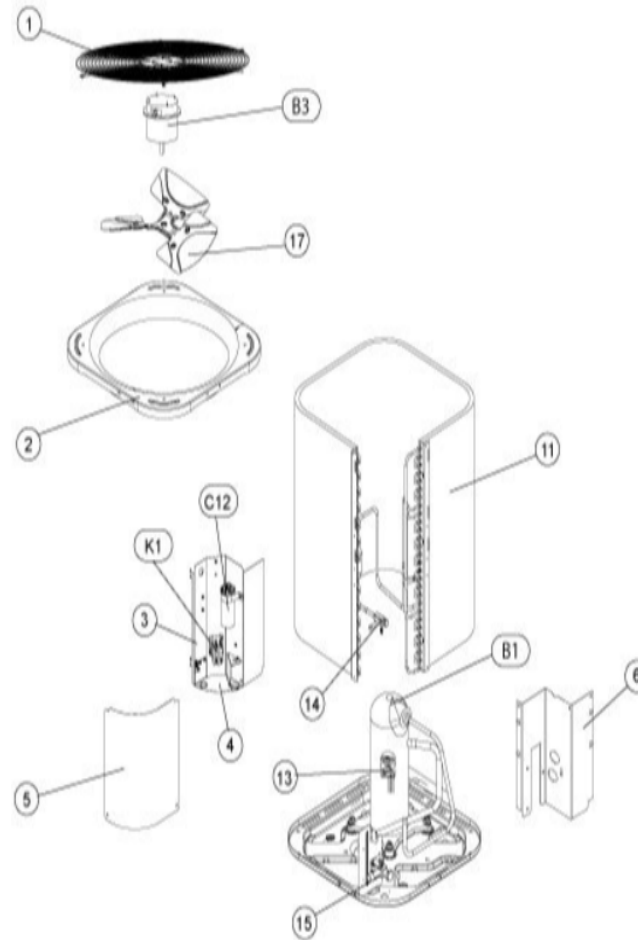


COOLING-CONDENSING
SEPTEMBER, 2005

2AC13 SERIES



Revision Number - 1A

CABINET PARTS

Callout	Name	Quantity	Description
	MESHING-COIL Cat #: 26W59 Model/Part #: 100231-42	1	"39" X 109" (CUT OT FIT)
	PUSH PIN-MESHING Cat #: 26W29 Model/Part #: R100230-01	8	PUSH PIN
	GUARD-COIL Cat #: 11W73 Model/Part #: R100331-03	1	WIRE MESH
1	GUARD-FAN Cat #: 11W72 Model/Part #: R100395-02	1	GUARD-FAN: RAISED
2	PANEL-TOP Cat #: 11W87 Model/Part #: R20391806	1	PANEL-TOP (Large)
3	PANEL-CONTROL Cat #: 11W88 Model/Part #: R20419005	1	PANEL-CONTROL BOX
4	PANEL-CONTROL Cat #: 11W89 Model/Part #: R20611801	1	BOTTOM
5	COVER-CONTROL BOX Cat #: 11W70 Model/Part #: R20419104	1	COVER, CONTROL ACCESS
6	PANEL-LOWER Cat #: 11W90 Model/Part #: R20610802	1	PIPING

CONTROL PANEL PARTS

Callout	Name	Quantity	Description
C12	CAPACITOR-FAN/RUN Cat #: 89M93 Model/Part #: 100335-28	1	"55+5MFD,370VAC"
K1	CONTACTOR Cat #: 95M56 Model/Part #: 100438-02	1	"SPST, 24V"

COOLING PARTS

Callout	Name	Quantity	Description
	PISTON KIT Cat #: 10W89 Model/Part #: 100484-37	1	-0.09
	MOUNT PKG-COMP Cat #: 54M63 Model/Part #: 54M63	1	LB-106528 COMPRESSOR MTG KIT
	DRIER Cat #: 11W85 Model/Part #: R100214-02	1	"3/8""
11	COIL-OUTDOOR Cat #: 11W68 Model/Part #: R20612206	1	COIL (FORMED)
13	HARNESS-COMPRESSOR Cat #: 15M35 Model/Part #: 15M3501	1	COMPRESSOR- MOLDED PLUG
14	VALVE-SERVICE Cat #: 11W97 Model/Part #: R100355-01	1	"3/8"" LIQUID LINE"
15	VALVE-SERVICE Cat #: 11W96 Model/Part #: R100354-02	1	"7/8"" SUCTION LINE"
17	FAN Cat #: 20W14 Model/Part #: 100060-19	1	"1/2""BORE, 22""DIA, 3 BLADE"
B1	COMPRESSOR Cat #: 89M24 Model/Part #: 100052-06	1	"3.5 TON,208- 230/60/1,COPE"
B4	MOTOR-FAN Cat #: 97M49 Model/Part #: 100483-02	1	"1/5 HP, 1075 RPM, 208- 230/60/1"

OPTIONAL PARTS-FIELD INSTALLED

Callout	Name	Quantity	Description
HP KIT	KIT-HI PRESS SWITCHPRICE BOOK CAT #70L70 Cat #: Model/Part #:	1	
LC KIT	KIT-LO PRESS SWITCHPRICE BOOK CAT #70L71 Cat #: Model/Part #:	1	

Note:

There are no technical notes for this product.