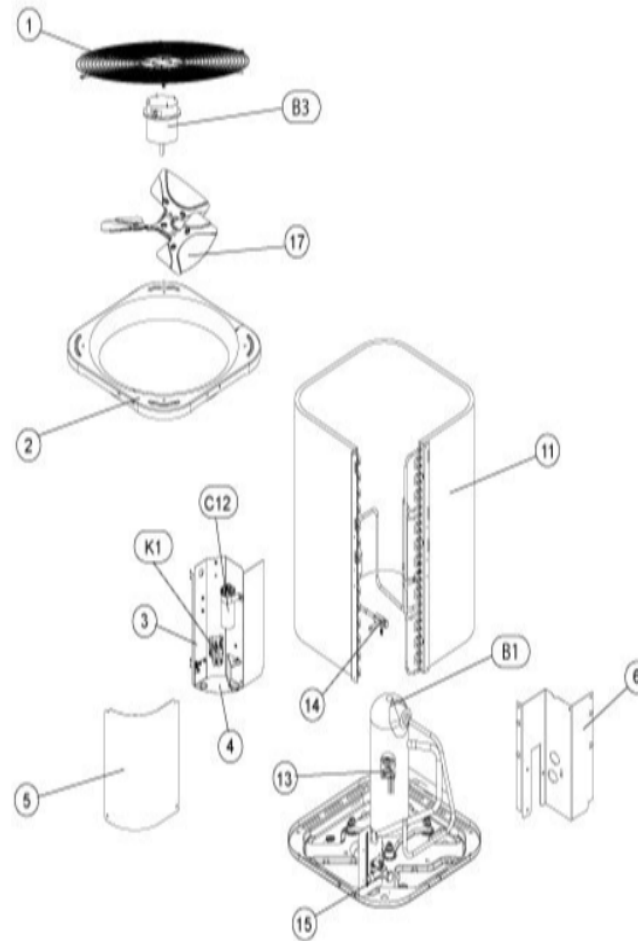


COOLING-CONDENSING
SEPTEMBER, 2005

2AC13 SERIES



Revision Number - 1A

CABINET PARTS

Callout	Name	Quantity	Description
	MESHING-COIL Cat #: 26W30 Model/Part #: 100231-09	1	"36"" X 90"" (CUT OT FIT)
	PUSH PIN-MESHING Cat #: 26W29 Model/Part #: R100230-01	5	PUSH PIN
	GUARD-COIL Cat #: 11W77 Model/Part #: R100331-10	1	WIRE MESH
1	GUARD-FAN Cat #: 11W71 Model/Part #: R100395-01	1	GUARD-FAN: RAISED, (FOR 18" FAN)
2	PANEL-TOP (11W86) Cat #: 11W86 Model/Part #: R20391706	1	PANEL-TOP (Small)
3	PANEL-CONTROL Cat #: 11W88 Model/Part #: R20419005	1	PANEL-CONTROL BOX
4	PANEL-CONTROL Cat #: 11W89 Model/Part #: R20611801	1	BOTTOM
5	COVER-CONTROL BOX Cat #: 11W70 Model/Part #: R20419104	1	COVER, CONTROL ACCESS
6	PANEL-LOWER Cat #: 11W91 Model/Part #: R20610803	1	PIPING

CONTROL PANEL PARTS

Callout	Name	Quantity	Description
C12	CAPACITOR-DUAL Cat #: 89M73 Model/Part #: 100335-05	1	"35+5MFD,370VAC"
K1	CONTACTOR Cat #: 95M55 Model/Part #: 100438-01	1	"SPST, 24V"

COOLING PARTS

Callout	Name	Quantity	Description
	KIT Cat #: 11W00 Model/Part #: 100484-16	1	-0.067
	MOUNT PKG-COMP Cat #: 54M63 Model/Part #: 54M63	1	LB-106528 COMPRESSOR MTG KIT
	DRIER Cat #: 11W84 Model/Part #: R100214-01	1	"3/8""
11	COIL-OUTDOOR Cat #: 11W64 Model/Part #: R20612202	1	COIL (FORMED)
13	HARNESS-COMPRESSOR Cat #: 15M35 Model/Part #: 15M3501	1	COMPRESSOR- MOLDED PLUG
14	VALVE-SERVICE Cat #: 11W97 Model/Part #: R100355-01	1	"3/8"" LIQUID LINE"
15	VALVE-SERVICE Cat #: 11W95 Model/Part #: R100354-01	1	"3/4"" SUCTION LINE"
17	FAN Cat #: 97M64 Model/Part #: 100060-03	1	"1/2""BORE, 18""DIA, 3 BLADE"
B1	COMPRESSOR Cat #: 89M20 Model/Part #: 100052-02	1	"1.5 TON,208- 230/60/1,COPE"
B4	MOTOR-FAN Cat #: 97M50 Model/Part #: 100483-04	1	"1/10 HP, 1075 RPM, 208- 230/60/1"

OPTIONAL PARTS-FIELD INSTALLED

Callout	Name	Quantity	Description
HP KIT	KIT-HI PRESS SWITCHPRICE BOOK CAT #70L70 Cat #: Model/Part #:	1	
LC KIT	KIT-LO PRESS SWITCHPRICE BOOK CAT #70L71 Cat #: Model/Part #:	1	

Note:

There are no technical notes for this product.