

INSTALLATION INSTRUCTIONS

B-29744 SEMI-RECESSED AUTOMATIC UNIVERSAL ROLL TOWEL DISPENSER

INSTALLING MOUNTING SHELL

1. Provide framed rough wall opening 16" wide x 18-7/8" high (405 x 480mm). Minimum recessed depth required to finish face of wall is 4" (102mm). Allow clearance for construction features that may protrude into rough wall opening from opposite wall. Coordinate with mechanical engineer to avoid pipes, vents and conduits. If unit projects above top of wainscot, provide channel or other filler to eliminate gap between flange and finish face of wall. For plaster or dry wall construction, provide concealed backing to comply with local building codes
2. Mount the Shell in wall opening with shims between framing and the Shell at four points indicated by an S, then secure the Shell with four #8 x 1-1/4" (4.2 x 32mm) sheet-metal screws (not furnished) in the four holes on the sides of the Shell. (See Figure 1).
DO NOT put any screws in the bottom of the Shell as they will interfere with the Dispenser Cabinet when it is inserted into the Shell.

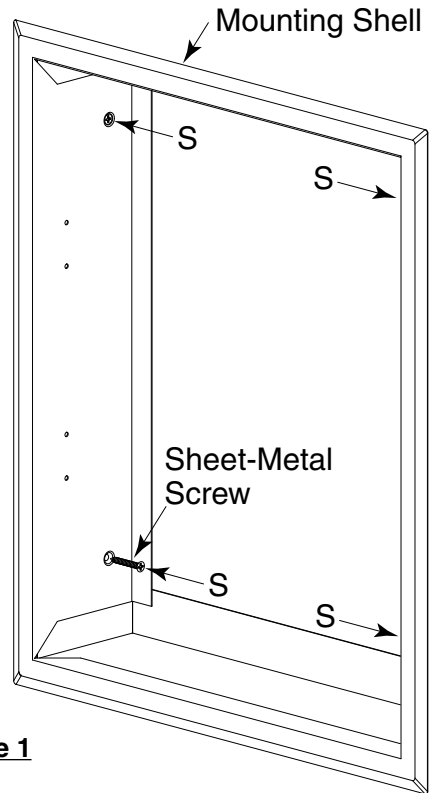


Figure 1

INSTALLING DISPENSER CABINET

1. Unlock and open the door of the Dispenser Cabinet.
2. Carefully slide the Dispenser Cabinet into the Mounting Shell and support it from underneath with one hand. (See Figure 2)
3. Use the pilot holes in the Shell to drill pilot holes into the shims at the appropriate angle with the Dispenser Cabinet located in position.
4. Attach the Dispenser Cabinet to the Shell using the predrilled pilot holes in the Shell and four #8 x 1/2" (4.8 x 13mm) sheet-metal screws (provided). It is acceptable to angle the sheet-metal screws when installing them into the pilot holes.

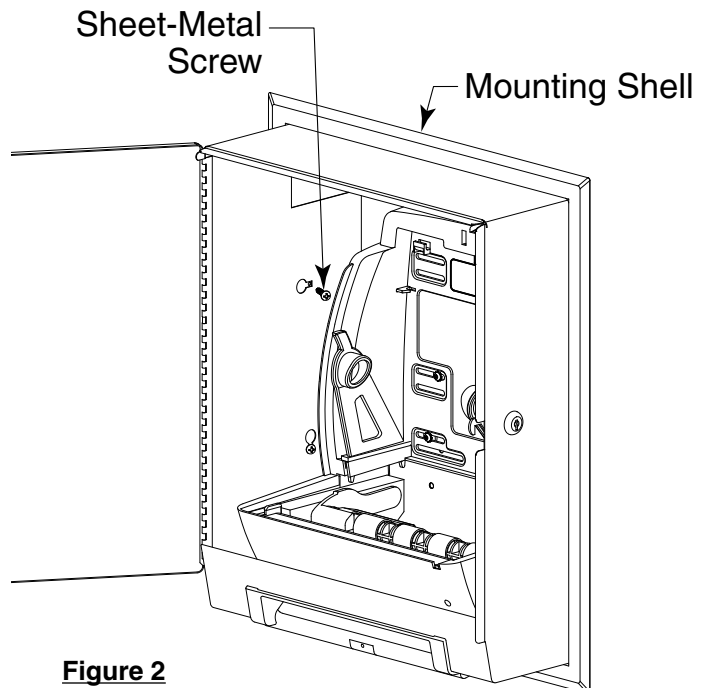


Figure 2



**REPLACEMENT PARTS
FOR BOBRICK UNIVERSAL AUTOMATIC ROLL TOWEL DISPENSERS
B-3974, B-39747, B-3979, B-2974 and B-29744**

Part No.	Description
3974-250	Convertible Automatic, Universal Roll Paper Towel Dispenser Module Assembly with Carton
3974-51	Door Replacement Kit
3974-57	AC Adapter Kit
3974-55	AC Adapter Kit (International)
3974-63	Arm Set (Left and Right)
3974-280	Kit to retrofit Series A units (without the LED) to Series C (with LED)
2974-51	Door Replacement Kit for B-2974, and B-29744
3500-100	Lock & Key (Door)
3944-41	Lock & Key (Waste Receptacle)
3949-57	4" Skirt for Surface Mounting



BUILDING VALUE SINCE 1906

© 2021 by Bobrick Washroom Equipment, Inc.
Form No. RP-Universal Auto RTD r3/12/21 Printed in U.S.A.

In the United States: BOBRICK WASHROOM EQUIPMENT, INC.

New York: 200 Commerce Drive, Clifton Park, NY 12065-1350 • Tel: (518) 877-7444 • Fax: (518)-877-5029
Los Angeles: 6901 Tujunga Ave, North Hollywood, CA 91605-6213 • Tel: (818) 982-9600 • Fax: (818)-503-9287
or email customerservice@bobrick.com

In Canada: BOBRICK WASHROOM EQUIPMENT COMPANY

45 Rolark Drive, Scarborough, Ontario M1R 3B1 • **Eastern Canada:** Tel: (877) 423-6555 • Fax: (877) 423-8555
• **Western Canada:** Tel: (877) 423-6444 • Fax: (877) 423-8444 or email customerservice@bobrick.com