

205FLF Boiler Drain • Spec Sheet

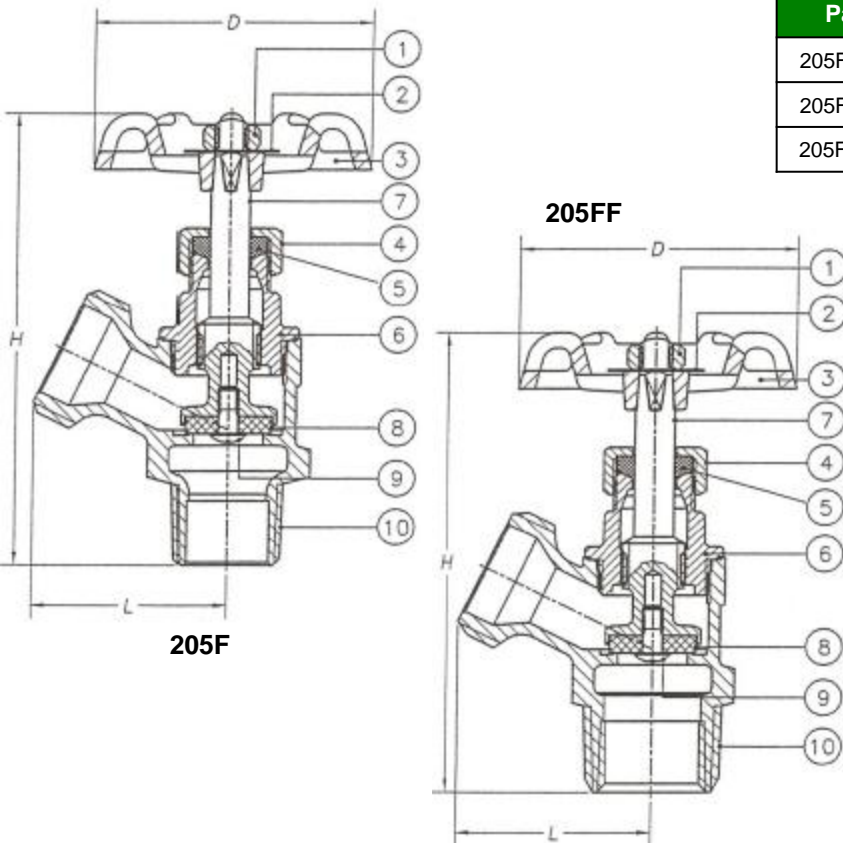


FEATURES & BENEFITS

- Lead Free Brass*
- 125 WOG
- Boiler Drain - Full Flow
- Stuffing Box
- ISO-9002

DIMENSIONS

Part	Size	L	H	D
205F03LF	1/2" MIP X 3/4" Hose	1.46	3.51	2.05
205F04LF	3/4" MIP X 3/4" Hose	1.46	3.59	2.05
205FF3LF	1/2" FIP X 3/4" Hose	1.46	3.59	2.05



MATERIAL SPECIFICATIONS

No.	Parts	Material
1	Wheel Nut	Hot Rolled SAE. 1010R
2	Name Plate	Aluminum A1100
3	Handle Wheel	Cast Iron
4	Packing Nut	Brass C89550
5	Gland Packing	Teflon
6	Bonnet	Brass C89550
7	Stem	Brass C89550
8	Seat Packing	BUNA
9	Seat Screw	Brass B19 C26000
10	Body	Brass C89550

* This product complies with 0.25% weighted average lead content on wetted surfaces in accordance with CA AB1953.

