

202TLF Brass Stop & Waste Valve • Spec Sheet

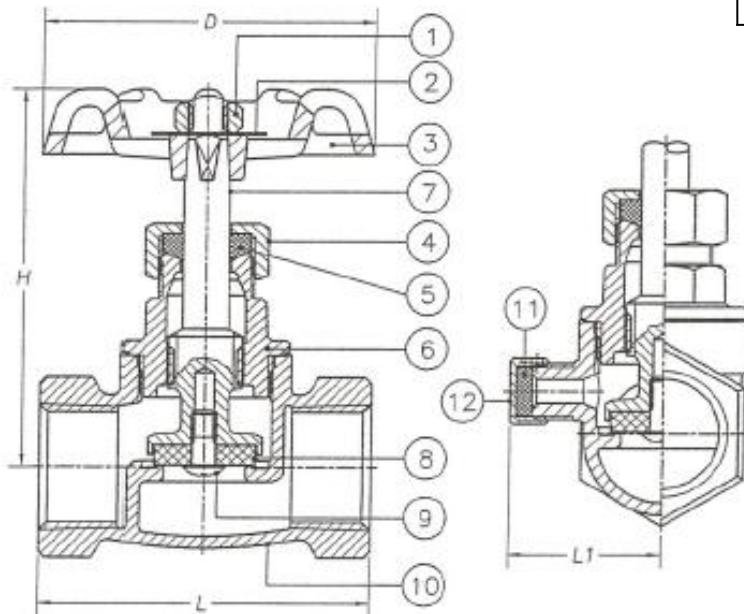


FEATURES & BENEFITS

- Lead Free Brass*
- 125 WOG
- Threaded Ends
- Soft Seat
- ISO-9002
- Sizes 1/2" and 3/4"

DIMENSIONS

Part #	Size	L	H	D	L1
202T03LF	1/2"	2.10	2.52	2.05	0.95
202T04LF	3/4"	2.13	2.52	2.05	0.95



MATERIAL SPECIFICATIONS

No.	Parts	Material
1	Wheel Nut	Hot Rolled SAE. 1010R
2	Name Plate	Aluminum A1100
3	Handle Wheel	Cast Iron
4	Packing Nut	Brass C89550
5	Gland Packing	Teflon
6	Bonnet	Brass C89550
7	Stem	Brass C89550
8	Seat Packing	BUNA
9	Seat Screw	Brass B19 C26000
10	Body	Brass C89550
11	Packing	BUNA
12	Drain Cap	Brass C89550

* This product complies with 0.25% weighted average lead content on wetted surfaces in accordance with CA AB1953.

