

Please read and save these instructions. Read carefully before attempting to assemble, install, operate or maintain the product described. Protect yourself and others by observing all safety information. Failure to comply with instructions could result in personal injury and/or property damage! Retain instructions for future reference.



Fantech

24" to 60" Wall-Mounted Weatherhoods

Description

Weatherhoods are designed to shield fan and damper openings in walls from rain and snow. A birdscreen is included. Weatherhoods are shipped unassembled.

Dimensions

Model	Fan Dia.	A	B	C	Guard Grid Sections	Side Panel Gage
1ACC24WH	24"	28 1/8"	21"	2"	1	18
1ACC30WH	30	34 1/8	25	2	1	18
1ACC36WH	36	40 1/8	29	2	2	18
1ACC42WH	42	46 1/8	33	2	2	18
1ACC48WH	48	54 1/8	38	2	2	18
1ACC54WH	54	60 1/4	44 1/2	2	2	16
1ACC60WH	60	66 1/4	48 3/8	2	2	16

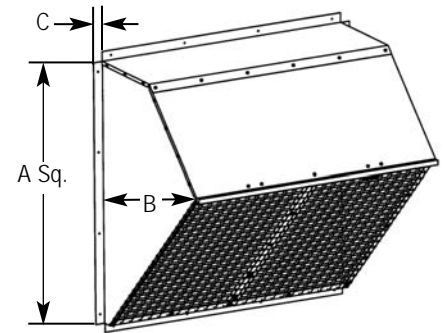


Figure 1 - Dimensions

Installation

Important: Fan should be securely mounted to wall prior to installation of weatherhood.

WARNING Care should be taken to ensure that power source to fan is locked OFF before weatherhood is installed so that the fan creates no hazard to installer.

1. Fasten front, top, bottom, and side panels together with 1/4 dia. x 1/2" long screws (supplied).
2. On models 1ACC36WH thru 1ACC60WH, fasten the center support angle to the front and bottom panel with 1/4 dia. x 1/2" long screws (supplied).
3. Fasten the bracket(s) to the front panel with 1/4 dia. x 1/2" long screws (supplied).
4. Fasten the screen to the face of the weatherhood with the 1/4 dia. x 1/2" long screws and 1.0 dia. washers (supplied).
5. Fasten weatherhood directly to the wall (hardware not supplied).
 - a. Use a 1/4 x 2" masonry anchor for masonry walls.
 - b. Use 1/4 x 2" lag screws if fastening to a framed wall.

Maintenance

CAUTION Make certain that the power source is disconnected before attempting to service or disassemble any components! If the power disconnect is out-of-sight, lock it in open position and tag to prevent application of power.

CLEANING

Clean any accumulated dirt which would restrict air flow.

LIMITED WARRANTY: Fantech, Inc. warrants to the original purchaser that our products will be free from defects in material and workmanship for a period of one (1) year from the date of shipment. THIS IS OUR SOLE AND EXCLUSIVE PRODUCT WARRANTY AND IS IN LIEU OF AND EXCLUDES ALL OTHER WARRANTIES, EXPRESS OR IMPLIED, ARISING BY OPERATION OF LAW OR OTHERWISE, INCLUDING WITHOUT LIMITATION, MERCHANTABILITY AND FITNESS FOR A PARTICULAR PURPOSE WHETHER OR NOT THE PURPOSE OR USE HAS BEEN DISCLOSED TO US IN SPECIFICATIONS, DRAWINGS OR OTHERWISE, AND WHETHER OR NOT OUR PRODUCTS ARE SPECIFICALLY DESIGNED AND/OR MANUFACTURED BY US FOR PURCHASER'S USE OR PURPOSE.

This warranty does not cover any losses or damages due to misuse, accident, abuse, neglect, normal wear and tear, negligence (other than ours), unauthorized alteration, use beyond rated capacity, or improper installation, maintenance or application. This warranty shall be null and void to the extent that purchaser supplied incorrect information to us about the necessary product specifications or the environment in which the products were to be used, and our selection or design of the products for the purchaser was based in part on such information.

If within thirty (30) days after purchaser's discovery of any warranty defects within the warranty period, purchaser notifies us thereof in writing, we shall, at our option, repair, correct or replace F.O.B. point of manufacture, or refund the purchase price for, the products that we have found to be defective. Failure by purchaser to give such written notice within the 30-day time period shall be deemed an absolute and unconditional waiver of purchaser's claim for such defects. Products repaired or replaced shall be covered by this warranty for the remainder of the original warranty period or ninety (90) days from the date of shipment, whichever is longer.

Warranty claims should be sent to Fantech, Inc., Attn: Quality Department, 10048 Industrial Blvd., Lenexa, KS 66215. Included in the claim should be Order Number, Model Numbers, Serial Numbers and a detailed description of the issues.

Purchaser assumes all other responsibility for any loss, damage or injury to persons or property arising out of the use of our products, either alone or in combination with other products or components.

LIMITATION OF REMEDY AND LIABILITY: THE SOLE AND EXCLUSIVE REMEDY FOR BREACH OF ANY WARRANTY HEREUNDER SHALL BE LIMITED TO REPAIR, CORRECTION OR REPLACEMENT, OR REFUND OF THE PURCHASE PRICE UNDER THE PRECEDING PARAGRAPH ENTITLED "LIMITED WARRANTY".

FANTECH, INC. SHALL NOT BE LIABLE FOR DAMAGES CAUSED BY DELAY IN PERFORMANCE AND IN NO EVENT, REGARDLESS OF THE FORM OF THE CLAIM OR CAUSE OF ACTION, SHALL OUR LIABILITY TO PURCHASER AND/OR ITS CUSTOMERS EXCEED THE PRICE PAID BY PURCHASER FOR THE SPECIFIC PRODUCT PROVIDED BY US THAT GAVE RISE TO THE CLAIM OR CAUSE OF ACTION. PURCHASER AGREES THAT IN NO EVENT SHALL OUR LIABILITY TO PURCHASER AND/OR ITS CUSTOMERS EXTEND TO INCLUDE INCIDENTAL, CONSEQUENTIAL OR PUNITIVE DAMAGES. The term "consequential damages" shall include, but not be limited to, loss of anticipated profits, business interruption, loss of use or revenue, cost of capital, or loss or damage to property or equipment.

It is expressly understood that any technical advice furnished by us with respect to the use of our products is given without charge, and we assume no obligation or liability for the advice given, or results obtained, all such advice being given and accepted.

For Customer/Technical Support call (800) 565-3548

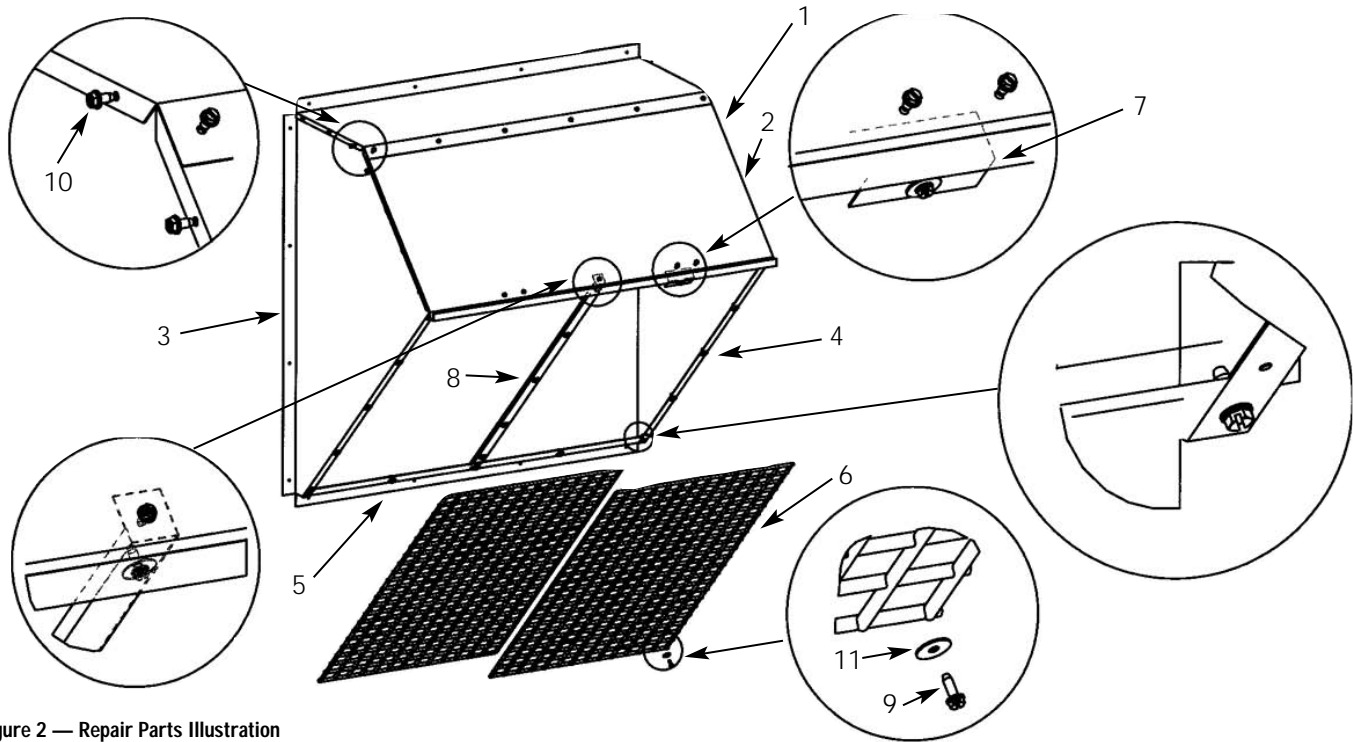


Figure 2 — Repair Parts Illustration

Repair Parts List

Ref. No.	Description	1ACC24 thru 30 Qty.	1ACC36 thru 60 Qty.
1	Top panel	1	1
2	Front panel	1	1
3	Left side panel	1	1
4	Right side panel	1	1
5	Bottom angle	1	1
6	Screen	1	2
7	Bracket	1	2
8	Angle	—	1
9	14 - 3/4 HWSL screw*	12-19	12-19
10	14 - 1/2 HWSL screw*	27-36	27-36
11	.281 x 1.0 Washer*	12-19	12-19

(* Standard hardware item, available locally.



United States
 1712 Northgate Blvd.,
 Sarasota, FL. 34234
 Phone: 800.747.1762;
 941.309.6000
 Fax: 800.487.9915; 941.309.6099
 www.fantech.net; info@fantech.net

Canada
 50 Kanalfakt Way,
 Bouctouche, NB E4S 3M5
 Phone: 800.565.3548;
 506.743.9500
 Fax: 877.747.8116; 506.743.9600
 www.fantech.ca; info@fantech.ca

Fantech, reserves the right to modify, at any time and without notice, any or all of its products' features, designs, components and specifications to maintain their technological leadership position.

Item #: 481804
 Rev Date: 120908