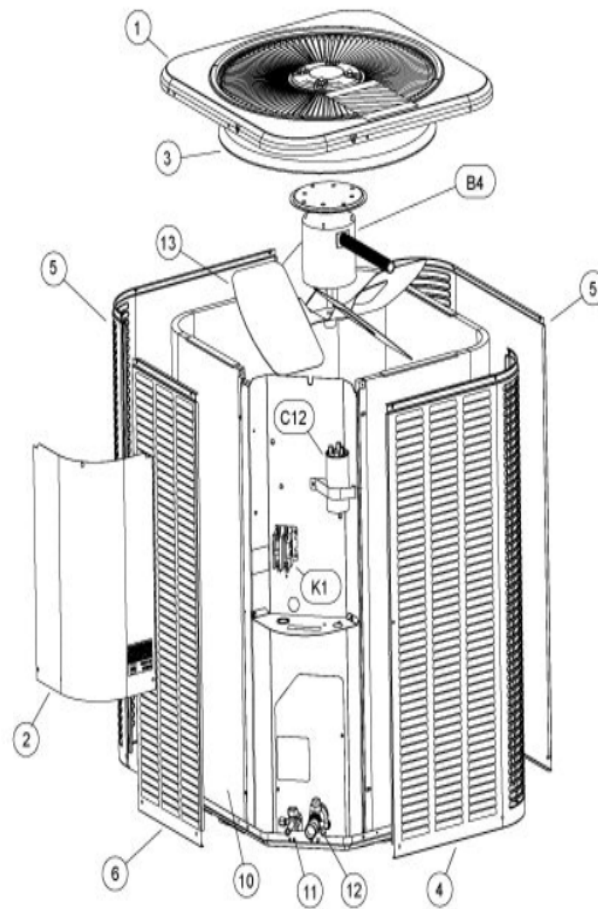


COOLING-CONDENSING
JANUARY, 2010

14ACX W/LOUVERED PANELS



Revision Number - 20

*OPTIONAL PARTS-FIELD INSTALLED

Callout	Name	Quantity	Description
	SWITCH-PRESS Cat #: 84M96 Model/Part #: 100216-01	1	"IN 55+5PSIG,OUT 25+5PSIG"
	SEAL CAP Cat #: 95M45 Model/Part #: 100275-01	1	1/4 INCH FLARE SEAL CAP
	CAPACITOR-START Cat #: 63A06 Model/Part #: 63A0601	1	"176-216 MFD, 320 VAC"
	TEE Cat #: 87071 Model/Part #: P-8-10569	1	VALVE DEPRESSOR TEE
	RELAY-POTENTIAL Cat #: 58327 Model/Part #: P-8-3577	1	SPNC
LC KIT	LOSS OF CHARGE KIT Cat #: 84M23 Model/Part #: LB-110135A	1	INC NEXT 3 PARTS
ST KIT	START KIT Cat #: 88M91 Model/Part #: LB-31200BAR	1	INC NEXT 2 PARTS

CABINET PARTS

Callout	Name	Quantity	Description
	NUT-CAP Cat #: 85M56 Model/Part #: 100094-01	4	TOP PANEL
	POST CORNER 36H Cat #: 14U91 Model/Part #: 608868-04	3	POST CORNER 36H
	COVER Cat #: 69J03 Model/Part #: 69J0301	1	SOUND- COMPRESSOR (OPTIONAL)
	LEG Cat #: 94J45 Model/Part #: LB-87156A	1	BASE(SET OF 4)
1	PANEL-TOP 28 X 28 Cat #: 14V64 Model/Part #: 614379-01	1	PANEL-TOP 28 X 28
2	COVER-CONTROL BOX	1	COVER - CONTROL

Callout	Name	Quantity	Description
	Cat #: 49W75 Model/Part #: 102072-01		PANEL
3	ORIFICE Cat #: 98M16 Model/Part #: 100001-01	1	"22" ""
4	PANEL LOUVER - RIGHT 28 X 36 Cat #: 14U64 Model/Part #: 608866-18	1	PANEL LOUVER - RIGHT 28 X 36
5	PANEL LOUVER - CENTER 28 X 36 Cat #: 14U52 Model/Part #: 608866-27	2	PANEL LOUVER - CENTER 28 X 36
6	PANEL - LOUVER (LEFT) Cat #: 65W09 Model/Part #: 603158-04	1	PANEL - LOUVER (LEFT)

CONTROL PANEL PARTS

Callout	Name	Quantity	Description
	CAPACITOR-FAN&RUN Cat #: 29W09 Model/Part #: 100335-39	1	70 + 10 MFD @ 440V ROUND
K1	CONTACTOR Cat #: 95M56 Model/Part #: 100438-02	1	"SPST,24V"

COOLING PARTS

Callout	Name	Quantity	Description
	CORE-VALVE Cat #: 95M48 Model/Part #: 100210-01	1	CORE - VALVE
	DRIER Cat #: 95M52 Model/Part #: 100214-03	1	LIQUID LINE(FOOTNOTE 1)
	KIT Cat #: 11W07 Model/Part #: 100484-31	1	RFC (.083)
	FITTING-PRESS TAP Cat #: 95M47 Model/Part #: 100520-01	1	PRESSURE TAP
	HARNESS-COMPRESSOR MOLDED PLUG Cat #: 13U63 Model/Part #: 104162-03	1	HARNESS- COMPRESSOR MOLDED PLUG
	DRIER Cat #: 88K44 Model/Part #: 88K4401	1	SUCTION LINE (OPTIONAL)

Callout	Name	Quantity	Description
	MOUNT PKG-COMP Cat #: 54M63 Model/Part #: LB-106528	1	MOUNT PKG-COMP
10	COIL-OUTDOOR Cat #: 24W93 Model/Part #: LB-87170DC	1	ASSY-REPAIR PART (COIL)
11	VALVE SERVICE 3/8 Cat #: 10M23 Model/Part #: 103881-01	1	"LIQUID-LINE,3/8""
12	VALVE-BALL SERVICE 7/8 X 7/8 Cat #: 77W34 Model/Part #: 102831-05	1	"SUCTION LINE,7/8""
13	FAN Cat #: 30W24 Model/Part #: 100060-21	1	"1/2""BORE,22""DIA,4 BLADE"
B1	COMPRESSOR AQA042KAA Cat #: 90W64 Model/Part #: 104530-15	1	COMPRESSOR AQA042KAA
B4	MOTOR-FAN 1/4 HP 208/230V 60HZ 825 RPM Cat #: 12Y65 Model/Part #: 100483-43	1	MOTOR-FAN 1/4 HP 208/230V 60HZ 825 RPM
HR1	HEATER-CRANKCASE Cat #: 93M04 Model/Part #: 100499-01	1	HEATER-CRANKCASE 40W 240V Ø4.72- 7.01
S4	SWITCH-HI PRESS-AUTO Cat #: 93W01 Model/Part #: 100087-12	1	SWITCH-HI PRESS NO 590
S40	THERMOSTAT SPST OPEN@70°F CLOSE@50°F 40" Cat #: 95M54 Model/Part #: 100503-01	1	"CC HEATER OPEN 70F, CLOSE 50F"

Note:

Note1: Compressor uses POE oil. The filter drier MUST BE replaced at time of compressor change. Please advise customer of this requirement at time of order. (The filter drier is excluded from the Lennox Quality Care Limited Warranty).