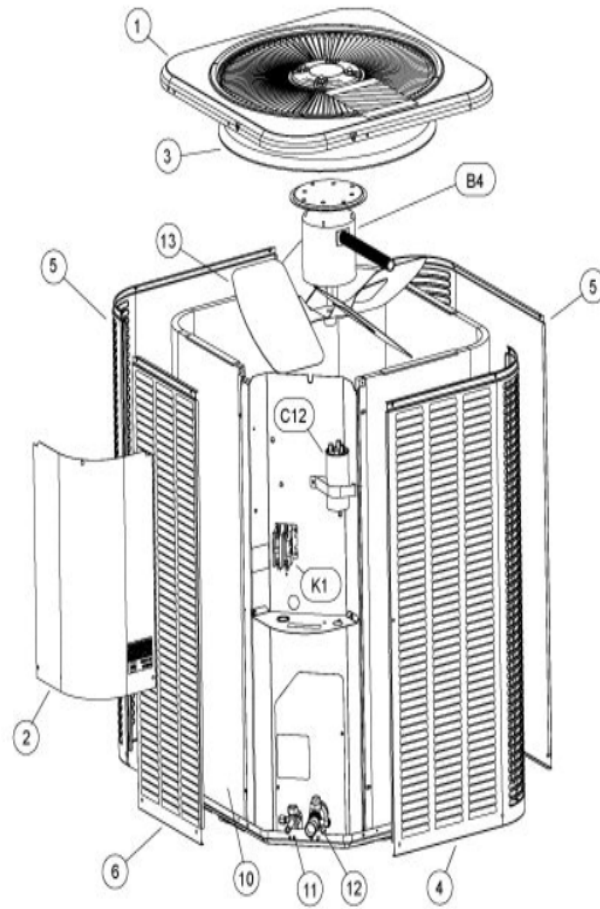


COOLING-CONDENSING
JANUARY, 2010

14ACX W/LOUVERED PANELS



Revision Number - 12

*OPTIONAL PARTS-FIELD INSTALLED

Callout	Name	Quantity	Description
	SWITCH-PRESS Cat #: 84M96 Model/Part #: 100216-01	1	"IN 55+5PSIG,OUT 25+5PSIG"
	SEAL CAP Cat #: 95M45 Model/Part #: 100275-01	1	1/4 INCH FLARE SEAL CAP
	CAPACITOR-START Cat #: 63A06 Model/Part #: 63A0601	1	"176-216 MFD, 320 VAC"
	TEE Cat #: 87071 Model/Part #: P-8-10569	1	VALVE DEPRESSOR TEE
	RELAY-POTENTIAL Cat #: 58327 Model/Part #: P-8-3577	1	SPNC
LC KIT	LOSS OF CHARGE KIT Cat #: 84M23 Model/Part #: LB-110135A	1	INC NEXT 3 PARTS
ST KIT	START KIT Cat #: 88M91 Model/Part #: LB-31200BAR	1	INC NEXT 2 PARTS

CABINET PARTS

Callout	Name	Quantity	Description
	NUT-CAP Cat #: 85M56 Model/Part #: 100094-01	4	TOP PANEL
	PATCH PLATE (QUARTZ GRAY) Cat #: 28W62 Model/Part #: 28W62	1	PATCH PLATE
	COVER Cat #: 69J03 Model/Part #: 69J0301	1	SOUND-COMPRESSOR (OPTIONAL)
	LEG Cat #: 94J45 Model/Part #: LB-87156A	1	BASE(SET OF 4)
1	PANEL-TOP 28 X 28 Cat #: 65W88 Model/Part #: 102419-01	1	PANEL-TOP 28 X 28
2	COVER-CONTROL BOX	1	COVER - CONTROL

Callout	Name	Quantity	Description
	Cat #: 49W76 Model/Part #: 102073-01		PANEL
3	ORIFICE Cat #: 98M16 Model/Part #: 100001-01	1	ORIFICE RING (22 I.D. X 6)
4	PANEL - LOUVER (RIGHT) Cat #: 64W97 Model/Part #: 603156-02	1	RIGHT
5	PANEL - LOUVER (CENTER) Cat #: 65W02 Model/Part #: 603157-02	2	CENTER
6	PANEL - LOUVER (LEFT) Cat #: 65W07 Model/Part #: 603158-02	1	LEFT

CONTROL PANEL PARTS

Callout	Name	Quantity	Description
C12	CAPACITOR-FAN&RUN Cat #: 89M83 Model/Part #: 100335-15	1	"45+10MFD,440VAC"
K1	CONTACTOR Cat #: 95M56 Model/Part #: 100438-02	1	"SPST,24V"

COOLING PARTS

Callout	Name	Quantity	Description
	RELAY-OVERLOADCOMP-INTERNAL Cat #: Model/Part #:	1	
	CORE-VALVE Cat #: 95M48 Model/Part #: 100210-01	1	CORE - VALVE
	DRIER Cat #: 95M52 Model/Part #: 100214-03	1	LIQUID LINE(FOOTNOTE 1)
	KIT Cat #: 97M78 Model/Part #: 100484-24	1	RFC (.076)
	FITTING-PRESS TAP Cat #: 95M47 Model/Part #: 100520-01	1	PRESSURE TAP
	MOUNT PKG-COMP Cat #: 54M63 Model/Part #: 15J1301PR	1	MOUNT PKG-COMP

Callout	Name	Quantity	Description
	HARNESS-COMPRESSOR Cat #: 15M35 Model/Part #: 15M3501	1	MOLDED PLUG
	DRIER Cat #: 88K44 Model/Part #: 88K4401	1	SUCTION LINE (OPTIONAL)
10	COIL-OUTDOOR Cat #: 60W15 Model/Part #: 60W15	1	W/MANIFOLD
11	VALVE-SERVICE Cat #: 10W32 Model/Part #: 100432-01	1	"LIQUID-LINE,3/8""
12	VALVE-BALL SERVICE 7/8 X 7/8 Cat #: 77W34 Model/Part #: 102831-05	1	"SUCTION LINE,7/8""
13	FAN Cat #: 30W24 Model/Part #: 100060-21	1	"1/2""BORE,22""DIA,4 BLADE"
B1	COMPRESSOR ZP34K5E-PFV Cat #: 15W10 Model/Part #: 100040-07	1	"3 TON,208- 230/60/1,COPE(FOOTNOTE 1)"
B4	MOTOR-FAN Cat #: 49W86 Model/Part #: 100483-24	1	"1/4HP,825RPM,208- 230/60/1"
HR1	HEATER-CRANKCASE Cat #: 93M04 Model/Part #: 100499-01	1	"40 WATT, 240 VOLT (OPTIONAL)"
S4	SWITCH-HI PRESS-MANUAL Cat #: 42W41 Model/Part #: 100103-03	1	CUTOUT 590 PSIG

Note:

Note1: Compressor uses POE oil. The filter drier MUST BE replaced at time of compressor change. Please advise customer of this requirement at time of order. (The filter drier is excluded from the Lennox Quality Care Limited Warranty).